

Product Information Packet

November 9, 2016

Data shown is for the current revision model #. Ensure your nameplate model # matches.

Model Number:	5KS182SAA300D
Catalog Number:	M9946
Instruction Manual:	GEI-56128
Connection Diagram:	GEM2034E-FIG1
Outline Drawing:	4002B5818PBP5316

Accessory Connection Diagrams			
Bearing Thermocouple:	None	Heater:	None
RTD:	None	Thermistor:	None
Thermostat:	None	Winding Thermocouple:	None
Bearing RTD:	None		

Table of Contents

Specification	01
Performance Characteristics	02
Outline Drawing	03
Connection Drawing(s)	04
Spare parts	05



Marks:

MODEL NUMBER:	5KS182SAA300D	Estimated Weight:	76 Lbs
Outline Drawing:	4002B5818PBP5316	Time Rating:	CONT
Connection Diagram:	GEM2034E-FIG1	Enclosure:	TEFC
Instruction Book:	GEI-56128	Encl Construction:	X\$D
Design Code:	18BD3001A	Ambient Max(°C):	40
Type:	KS	Alt Ambient Max(°C):	65
Frame:	182TC	Insulation Class:	H
Phases:	3	NEMA Design:	B
Poles:	6	Nominal Efficiency:	87.5 %
Output Power:	1.5HP 1.1KW	Guaranteed Efficiency:	86.5
RPM:	1170	3/4 Load Efficiency:	88.2
Voltage:	460	KVA Code:	M
Hertz:	60	Max KVAR:	1.0
Amps - FL:	2.4	Power Factor:	68.0
Service Factor:	1.25	Bearing - DE:	6307ZC3
Alt Service Factor:	1.00	Bearing - ODE:	6206ZC3

Enclosure is Totally Enclosed Fan-Cooled

Stamped Nameplate Notes:

SF AMPS 2.7
 STAMP NP249A5564P051 AS BELOW:
 MODEL:5KS182SAA300D S/N: XXX
 CSA CERTIFIED CSA09.2216219 FOR EX NA IIC 200C GC
 CL 1 ZONE2 AEX NA IIC 200C;CL 1 DIV2 GRP ABCD 200C
 IN -25C <= AMB <= 40C, 1.0 SF ON SINE-WAVE PWR
 SURF TEMP 200C AT 1.25SF ON SINE-WAVE PWR
 OR 200 C VT OR 200 C CT OR 200 C CHP PWM CONTROL
 ALTERNATE RATING FOR PWM CONTROL 1.0SF 40C AMB
 VT 0-60 HZ, CT 3-60 HZ , CHP 60-90 HZ.

Additional Information:

6P - T EXTN
 STANDARD FLOOR MOUNT
 C/BOX 30 CU IN-0.75 NPT
 F1 CONDUIT BOX MOUNTING
 "C" FACE AT DE ENDSHIELD
 INPRO SEAL DE ONLY
 OIL RESISTANT SLEEVING ON LEADS

Performance Characteristics

1st Winding 1st Connection

Design: 18BD3001A

Marks:

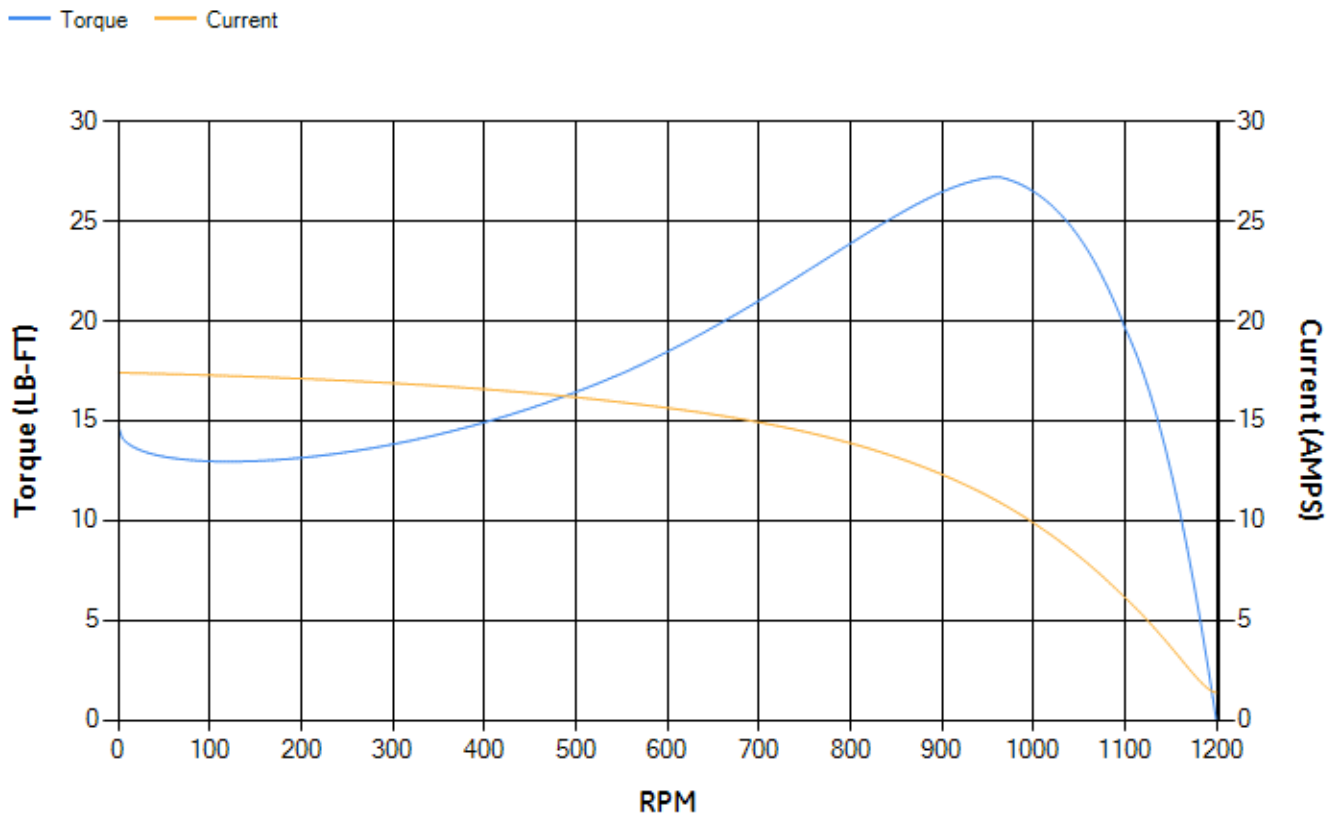
LOAD %	125.0	115.0	100.0	75.0	50.0	25.0	0.0
% EFF	87.54	87.89	88.45	88.19	86.52	79.53	0.00
% PF	73.63	71.73	69.93	59.69	46.9	28.68	5.86
AMPS	2.72	2.56	2.27	2	1.73	1.54	1.37

TORQ(FL)#FT	6.72	TORQ(LR)%FL	218.46	TORQ(BD)%FL	396.13
AMPS(LR)	17.41	PF AT START	0.46		

This motor is capable of two cold or one hot start with a maximum connected load inertia of 260 Lb-Ft Sq (10.95 Kg-meter Sq)at 100% voltage, where the load torque varies with the square of the speed. Acceleration time with maximum inertia and the above load type is 63 seconds. Safe stall time at 100% voltage is 139 seconds cold, 117 seconds hot. Rotor inertia is 0.35 Lb-Ft Sq (0.01 Kg-meter Sq).

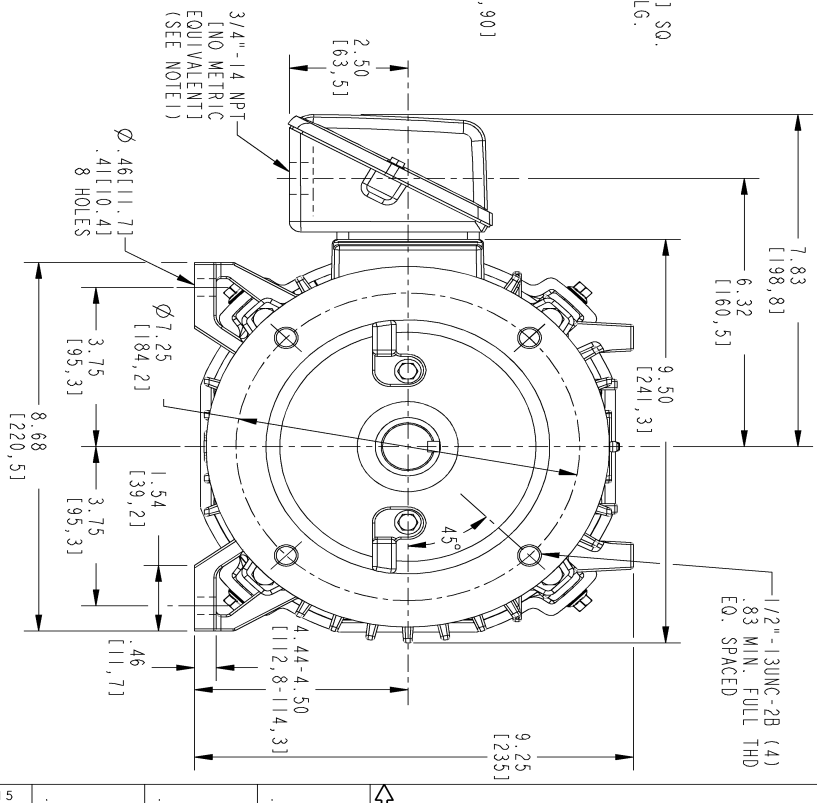
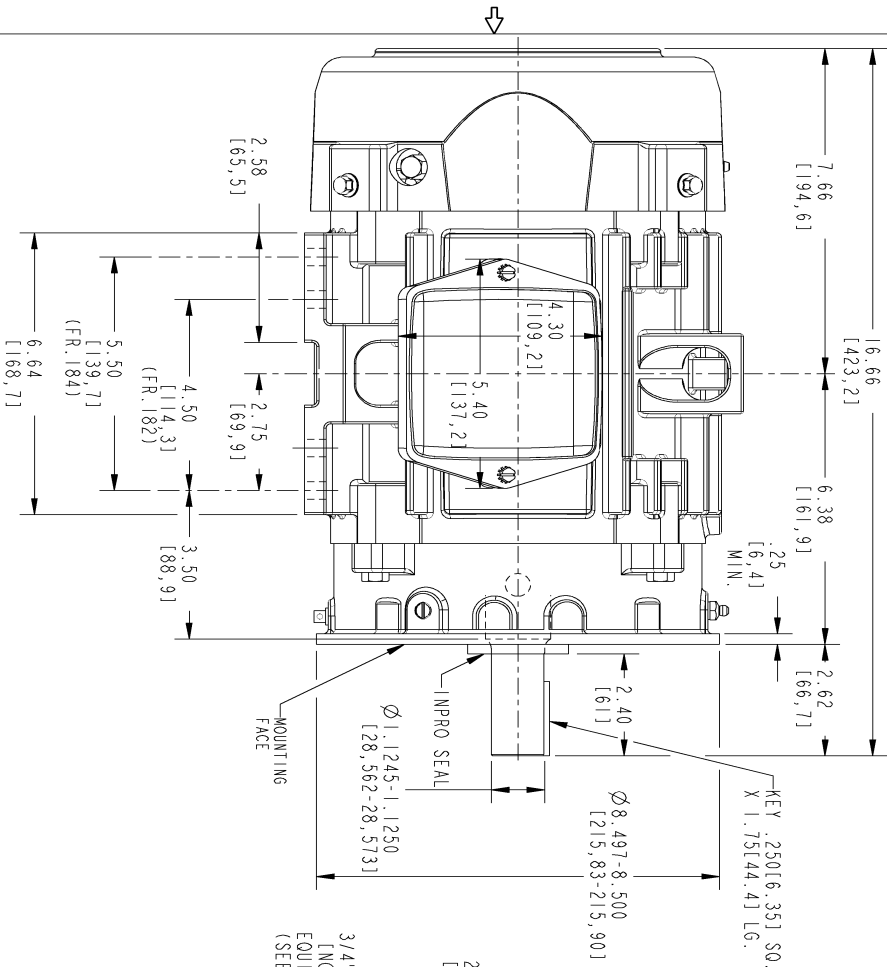
Open Circuit A-C:	0.162	Short Circuit D-C:	0.008
Short Circuit A-C:	0.011	X/R Ratio:	3.204
Stator Slots:	36	Rotor Slots:	48

Speed Torque Current Curve (First Connection, First Speed)



Marks:

NOTE 1: CONDUIT BOX MAY BE ASSEMBLED WITH ENTRANCE UP, DOWN OR TO EITHER SIDE.
 NOTE 2: F1 ASSEMBLY AS SHOWN. F2 ASSEMBLY CONDUIT BOX ON OPPOSITE SIDE FROM SHOWN LOCATION.
 NOTE 3: MOUNTING SURFACES WILL BE SQUARE AND CONCENTRIC WITH SHAFT WITHIN .004 T.I.R.
 NOTE 4: SHAFT RUNOUT WILL NOT EXCEED .002 T.I.R.
 NOTE 5: ALL DIMENSIONS ARE IN INCHES, BRACKETED DIMENSIONS ARE IN METRIC [MILLIMETERS].



SIZE B DRAWING NO. 4002B5818PBP5316

REV.	DESCRIPTION	DATE	APPROVED
1	ISAAC #16-0864	08/30/16	VENKAT

REVISIONS

SIGNATURES	DATE
DRMAN N PRASAD 04/23/16	
DESIGNED RAVI KUMAR 04/23/16	
ENGRG N PRASAD 04/23/16	
ISSUED N PRASAD 04/23/16	

APPLIED PRACTICES

SCALE: 0.400 REF. NO.: 4002B5818PBP5301 SHEET 0F 1

GE Industrial Systems
GENERAL ELECTRIC COMPANY
 Fort Wayne, Indiana

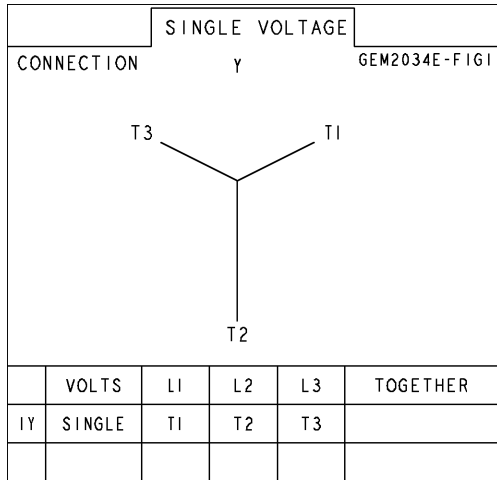
INDUCTION MOTOR OUTLINE
 'C' FACE AT DE (850" RABBIT), WITH INPROSEAL
 FWE: KS184TC TFC 'C' FACE

SIZE DRAWING 4002B5818PBP5316

DISTRIBUTION: PMP-18K15

Marks:

Connection Diagram
GEM2034E-FIG1



End shield Assembly		
Part Description	DE Side Part#	ODE Side Part#
End Shield	4004D5286PE1	4004D5281SG1
Bearing	235A2601AA01	235A2602AA01
Slinger/Inproseal	316A5384AJ1	149C4399G16

Fan & Fan Cover Assembly	
Part Description	Part#
Fan	4001A5914AM-G01
Fan Cover	4003C5786PA1

Conduit & Accessories Box Assembly	
Part Description	Part#
Conduit Box	4002B5718PA-G01

Mechanical Accessories	
Part Description	Part#
Brake	
Tachometer	