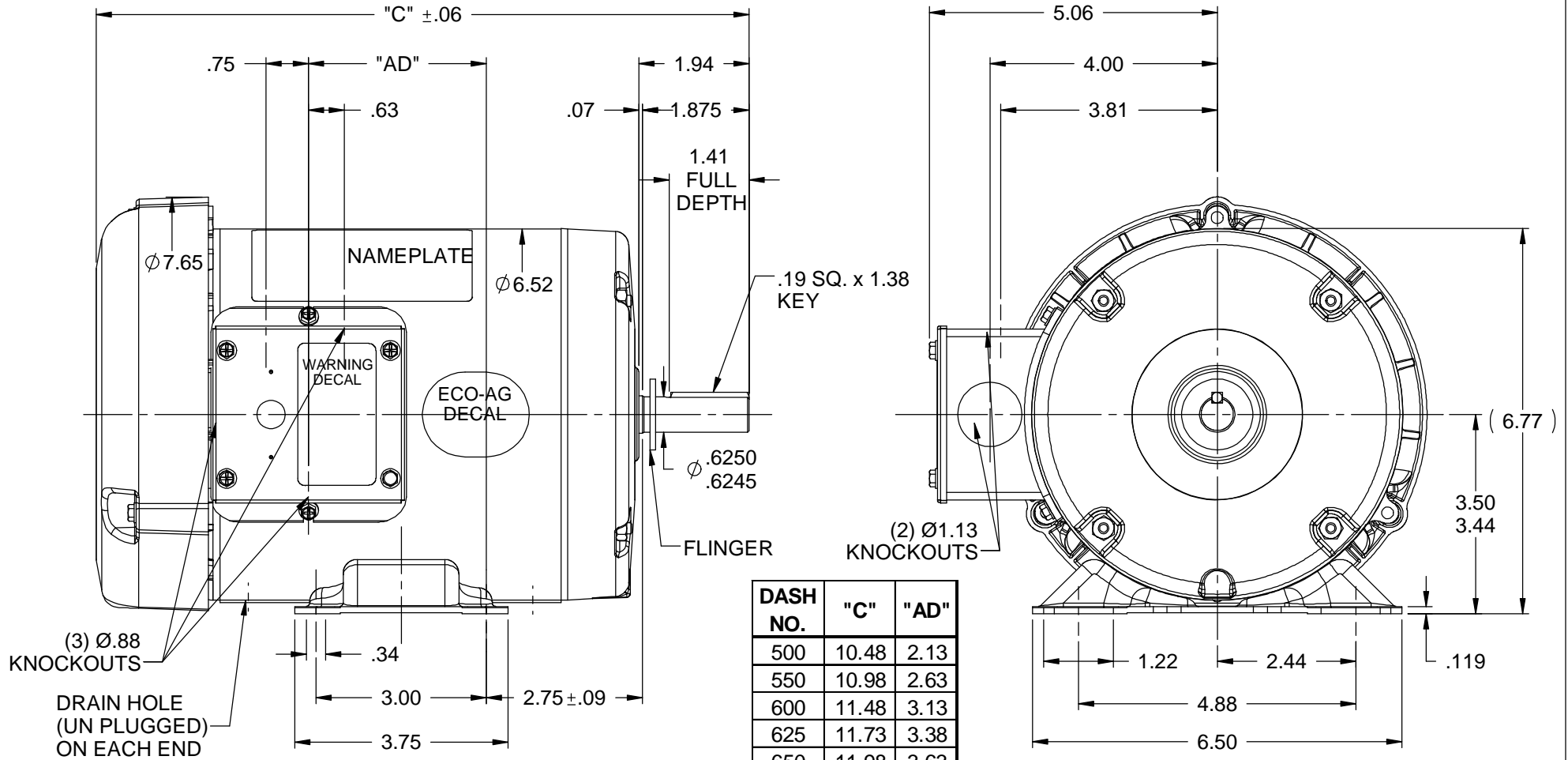



RBC PROPRIETARY AND CONFIDENTIAL INFORMATION

This document is the property of REGAL BELOIT CORPORATION ("RBC") including its subsidiaries and divisions and contains proprietary information of RBC. This document is loaned on the express condition that neither it nor the information contained therein shall be disclosed to others without the express written consent of RBC, and that the information shall be used by the recipient only as approved expressly by RBC. This document shall be returned to RBC upon its request. This document may be subject to certain restrictions under U.S. export control laws and regulations.



DASH NO.	"C"	"AD"
500	10.48	2.13
550	10.98	2.63
600	11.48	3.13
625	11.73	3.38
650	11.98	3.63
700	12.48	4.13
750	12.98	4.63

NOTES:
1) GASKETS THROUGHOUT

				TOLERANCES UNLESS SPECIFIED		 REGAL-BELOIT CORPORATION		DRAWN VS 5/31/2012	
				DEC	INCHES			CHK	
				.X	±.1			APPR	
				.XX	±.03			SCALE 3:8	
				.XXX	±.005			REF 028781	
				.XXXX	±.0005	MAT'L		FMF	
NO	REVISION	BY & DATE	CHK	ANG	±1/2°	FINISH GENERAL PURPOSE		PAGE OF	
				RFP	PREV	SIZE	DRAWING NO	REV	
						A	029032		

