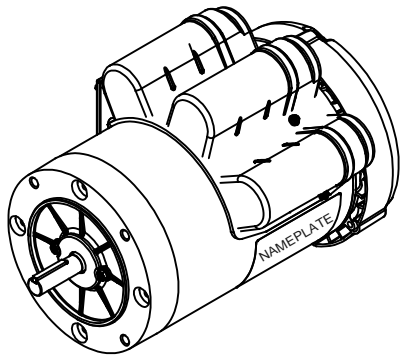
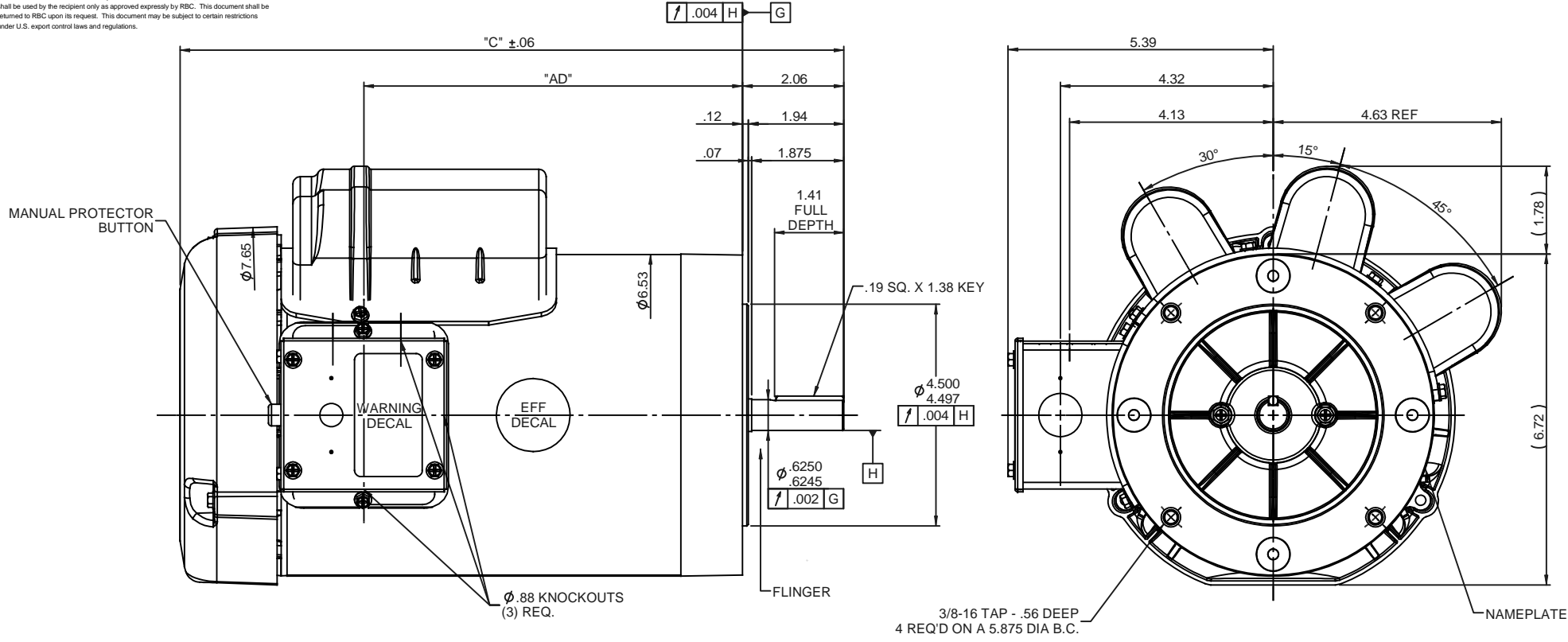


RBC PROPRIETARY AND CONFIDENTIAL INFORMATION
 This document is the property of REGAL BELOIT CORPORATION ("RBC") including its subsidiaries and divisions and contains proprietary information of RBC. This document is loaned on the express condition that neither it nor the information contained therein shall be disclosed to others without the express written consent of RBC, and that the information shall be used by the recipient only as approved expressly by RBC. This document shall be returned to RBC upon its request. This document may be subject to certain restrictions under U.S. export control laws and regulations.



NOTES:
 GASKETS THROUGHOUT
 DRAIN HOLES IN FRAME

DASH NO.	"C"	"AD"
600	11.49	5.69
650	11.99	6.19
700	12.49	6.69
750	12.99	7.19
800	13.49	7.69
850	13.99	8.19

REVISION		BY & DATE	CHK	ANG	FINISH	SIZE	DRAWING NO	REV
01	REMOVED FLINGER AND FRAME DRAIN HOLES	DJ 5/6/2009	RFP	12/03/08	PREV	B	028910	01
TOLERANCES UNLESS SPECIFIED:			DEC INCHES		DRAWN GRB 12/03/08			
X ±.1			XX ±.03		CHK DJ 12/03/08			
XXX ±.005			XXX ±.005		APPR DJ 12/03/08			
TITLE OUTLINE - 56 FRAME			MATL STANDARD		SCALE 1:2			
REF 034087			REF 113925.00		PAGE OF			
NETWORK FILE NAME			REV		REV			



**ELECTRIC MOTORS
 GEARMOTORS
 AND DRIVES**

