

Product Information Packet

February 21, 2017

Data shown is for the current revision model #. Ensure your nameplate model # matches.

Model Number:	5KS215CAA105C
Catalog Number:	E9662
Instruction Manual:	GEI-56128
Connection Diagram:	GEM2034E-FIG3
Outline Drawing:	4002B5821RAP5202

Accessory Connection Diagrams			
Bearing Thermocouple:	None	Heater:	None
RTD:	None	Thermistor:	None
Thermostat:	3027JE-2A	Winding Thermocouple:	None
Bearing RTD:	None		

Table of Contents

Specification	01
Performance Characteristics	02
Outline Drawing	03
Connection Drawing(s)	04
Spare parts	05



Marks:

MODEL NUMBER:	5KS215CAA105C	Estimated Weight:	220 Lbs
Outline Drawing:	4002B5821RAP5202	Time Rating:	CONT
Connection Diagram:	GEM2034E-FIG3	Enclosure:	TEFC
Instruction Book:	GEI-56128	Encl Construction:	XP
Design Code:	21BD0121A	Ambient Max(°C):	40
Type:	KS	Alt Ambient Max(°C):	--
Frame:	215T	Insulation Class:	F
Phases:	3	NEMA Design:	B
Poles:	2	Nominal Efficiency:	90.2 %
Output Power:	10HP 7.4KW	Guaranteed Efficiency:	88.5
RPM:	3520	3/4 Load Efficiency:	--
Voltage:	230/460	KVA Code:	H
Hertz:	60	Max KVAR:	2.2
Amps - FL:	23.0/11.5	Power Factor:	90.0
Service Factor:	1.00	Bearing - DE:	6208ZC3
Alt Service Factor:	--	Bearing - ODE:	6208ZC3

Enclosure is Totally Enclosed Fan-Cooled

Stamped Nameplate Notes:

EXPLOSION PROOF MOTOR
TEMP CODE T3C
THERMOSTAT LEADS TB1-TB2
STAMP NP249A5571AD "CL I (C & D) CL II (F & G)"

Additional Information:

2P - T EXTN
STANDARD FLOOR MOUNT
C/BOX 55 CU IN-1.00 NPT
F1 CONDUIT BOX MOUNTING
AUX LEADS EXIT WITH MOTOR LEADS
CL I C & D CL II F & G EXPLOSION PROOF MOTOR

Performance Characteristics

1st Winding 1st Connection

Design: 21BD0121A

Marks:

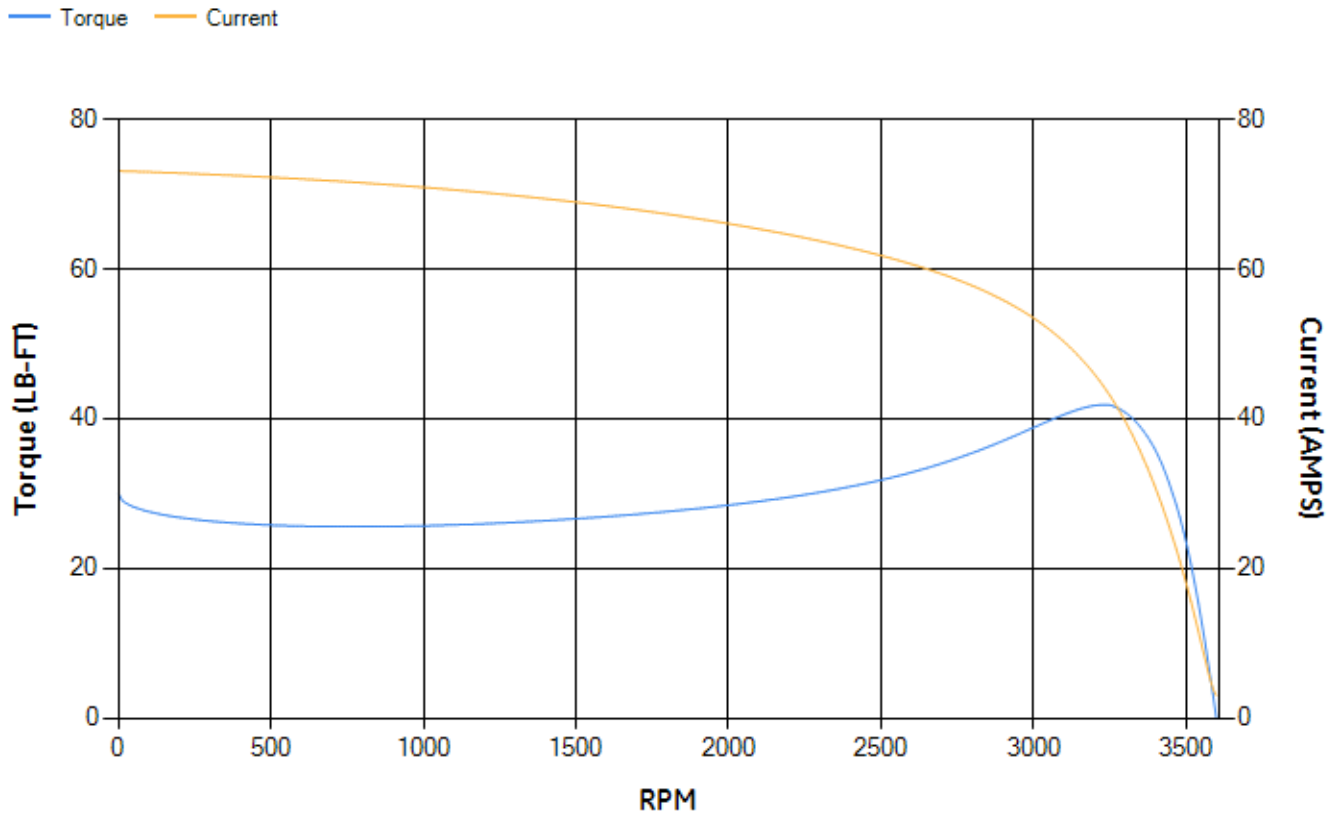
LOAD %	125.0	115.0	100.0	75.0	50.0	25.0	0.0
% EFF	88.61	89.27	90.32	91.04	90.92	87.4	0.00
% PF	90.02	90.09	89.84	88.02	82.4	64.49	9.22
AMPS	14.67	13.38	11.52	8.76	6.25	4.15	3.01

TORQ(FL)#FT	14.91	TORQ(LR)%FL	201.12	TORQ(BD)%FL	278.54
AMPS(LR)	73.1	PF AT START	0.36		

This motor is capable of two cold or one hot start with a maximum connected load inertia of 75 Lb-Ft Sq (3.16 Kg-meter Sq)at 100% voltage, where the load torque varies with the square of the speed. Acceleration time with maximum inertia and the above load type is 35 seconds. Safe stall time at 100% voltage is 67 seconds cold, 42 seconds hot. Rotor inertia is 0.39 Lb-Ft Sq (0.02 Kg-meter Sq).

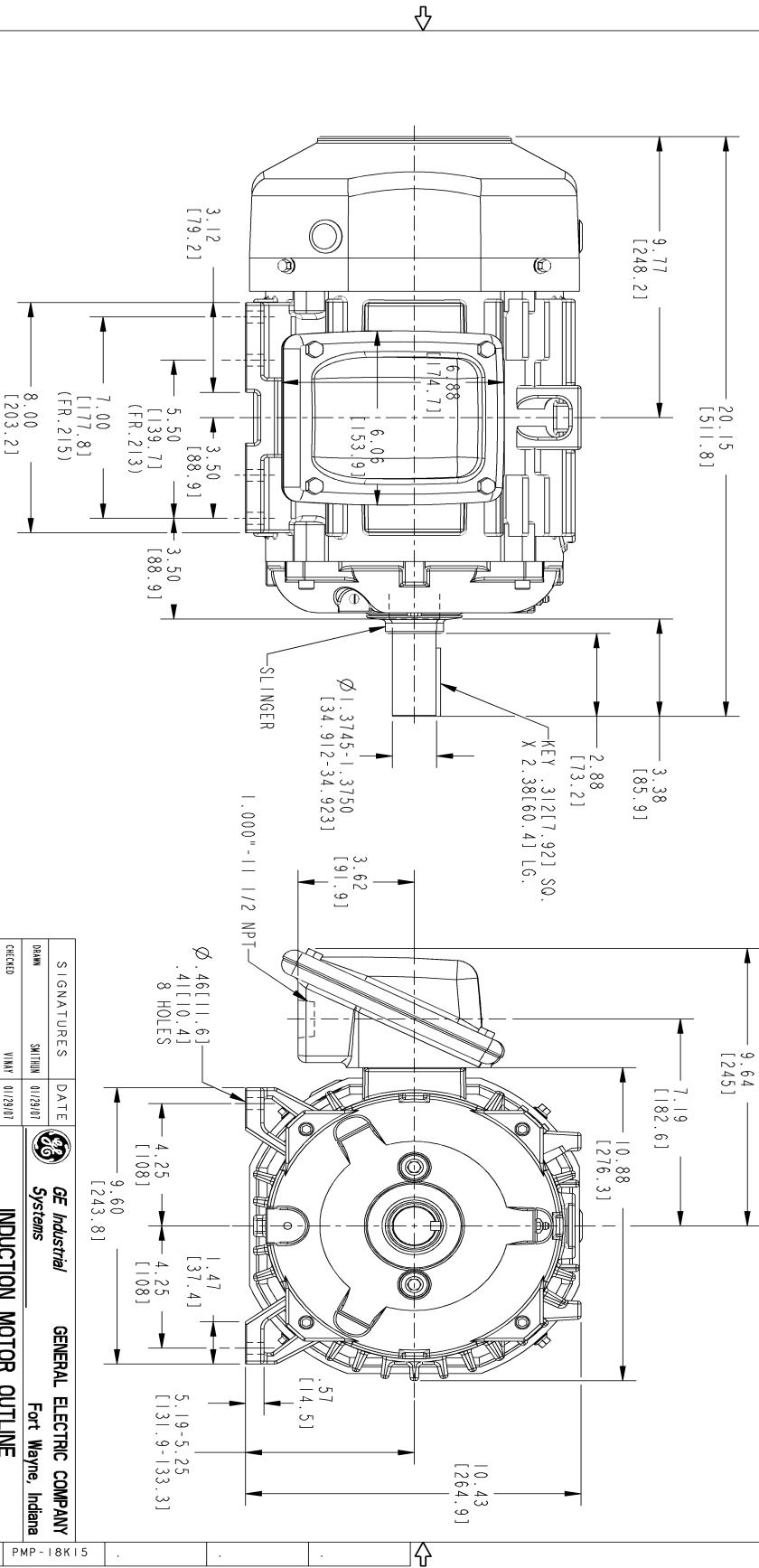
Open Circuit A-C:	0.47	Short Circuit D-C:	0.01
Short Circuit A-C:	0.017	X/R Ratio:	3.896
Stator Slots:	36	Rotor Slots:	26

Speed Torque Current Curve (First Connection, First Speed)



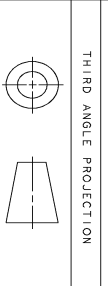
Marks:

NOTE 1: CONDUIT BOX MAY BE ASSEMBLED WITH ENTRANCE UP, DOWN OR TO EITHER SIDE.
 NOTE 2: F1 ASSEMBLY AS SHOWN. F2 ASSEMBLY CONDUIT BOX ON OPPOSITE SIDE FROM SHOWN LOCATION.
 NOTE 3: MOUNTING SURFACES TO BE SQUARE AND CONCENTRIC WITH SHAFT WITHIN .004 T.I.R.
 NOTE 4: SHAFT RUNOUT NOT TO EXCEED .002 T.I.R.



SIZE DRAWING NO. 4002B5821RAP5202

REVISIONS			
REV.	DESCRIPTION	DATE	APPROVED
1	ISAC#14-0486	06/17/14	KARTHIK



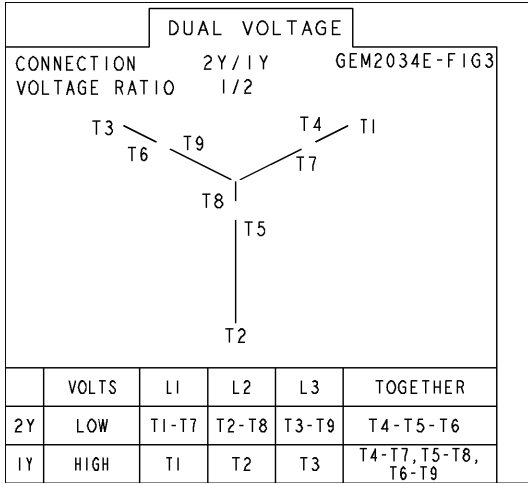
SIGNATURES	DATE
DRMAN SMITHIN 01/29/01	
DESIGNED VIKARI 01/29/01	
ENGRS	
ISSUED SMITHIN 01/29/01	
APPLIED PRACTICES	

GE Industrial Systems
GENERAL ELECTRIC COMPANY
 Fort Wayne, Indiana
INDUCTION MOTOR OUTLINE
 STANDARD CONSTRUCTION
 FME: FR210T TFC EXPLOSION PROOF, 55 CU IN, C/BOX
 SIZE DRAWING: 4002B5821RAP5202
 SCALE: 0.300 REF. NO.: 4002B5821RAP5201 SHEET 1 OF 1

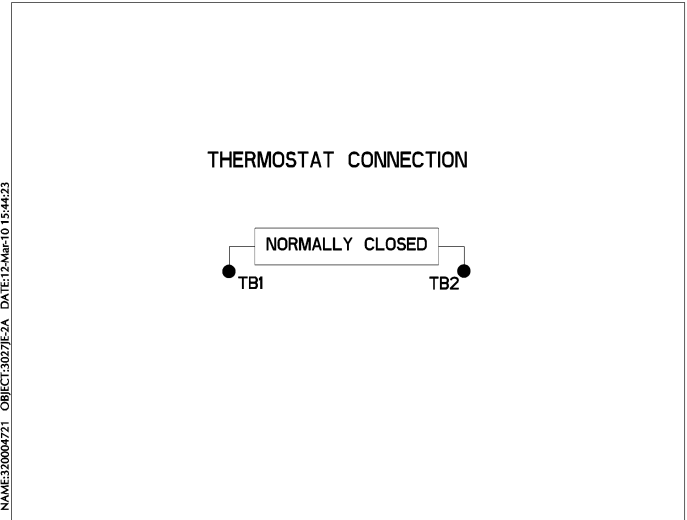
DISTRIBUTION: PMP-1BK15

Marks:

Connection Diagram
GEM2034E-FIG3



Thermostat Connection
3027JE-2A



End shield Assembly		
Part Description	DE Side Part#	ODE Side Part#
End Shield	4004D5272PA1	4004D5272SA1
Bearing		
Slinger/Inproseal		

Fan & Fan Cover Assembly	
Part Description	Part#
Fan	159C6704G01
Fan Cover	

Conduit & Accessories Box Assembly	
Part Description	Part#
Conduit Box	4002B5725RA-G04

Mechanical Accessories	
Part Description	Part#
Brake	
Tachometer	

