

# Product Information Packet

November 7, 2016

Data shown is for the current revision model #. Ensure your nameplate model # matches.

<b>Model Number:</b>	<b>5KS445ATE208A</b>
<b>Catalog Number:</b>	<b>E743</b>
<b>Instruction Manual:</b>	GEI-M1023
<b>Connection Diagram:</b>	GEM-M1010
<b>Outline Drawing:</b>	358B6204AC

<b>Accessory Connection Diagrams</b>			
<b>Bearing Thermocouple:</b>	None	<b>Heater:</b>	None
<b>RTD:</b>	None	<b>Thermistor:</b>	None
<b>Thermostat:</b>	None	<b>Winding Thermocouple:</b>	None
<b>Bearing RTD:</b>	None		

<b>Table of Contents</b>	
Specification	01
Performance Characteristics	02
Outline Drawing	03
Connection Drawing(s)	04

**Marks:**

<b>MODEL NUMBER:</b>	<b>5KS445ATE208A</b>	<b>Estimated Weight:</b>	1800 Lbs
<b>Outline Drawing:</b>	358B6204AC	<b>Time Rating:</b>	CONT
<b>Connection Diagram:</b>	GEM-M1010	<b>Enclosure:</b>	DP
<b>Instruction Book:</b>	GEI-M1023	<b>Encl Construction:</b>	OPEN
<b>Design Code:</b>	44AD1004A	<b>Ambient Max(°C):</b>	40
<b>Type:</b>	KS	<b>Alt Ambient Max(°C):</b>	--
<b>Frame:</b>	445T	<b>Insulation Class:</b>	F
<b>Phases:</b>	3	<b>NEMA Design:</b>	A
<b>Poles:</b>	4	<b>Nominal Efficiency:</b>	95.8 %
<b>Output Power:</b>	200HP 148KW	<b>Guaranteed Efficiency:</b>	95.0
<b>RPM:</b>	1785	<b>3/4 Load Efficiency:</b>	96.0
<b>Voltage:</b>	460	<b>KVA Code:</b>	G
<b>Hertz:</b>	60	<b>Max KVAR:</b>	38.7
<b>Amps - FL:</b>	220	<b>Power Factor:</b>	87.5
<b>Service Factor:</b>	1.15	<b>Bearing - DE:</b>	6318
<b>Alt Service Factor:</b>	--	<b>Bearing - ODE:</b>	6318

Enclosure is Dripproof

---

**Stamped Nameplate Notes:****Additional Information:**

4 POLE DP  
 LRA:1528 AMPS  
 NO. OF MOTOR LEADS: 12  
 CONDUIT BOX VOLUME (IN<sup>3</sup>): 1240  
 CONDUIT BOX MTL: STAMPED STEEL  
 GREASE TYPE: CHEVRON SRI-2 POLYUREA GREASE  
 NOT USABLE AT 200 VOLTS  
 50HZ DATA: 200HP,400V, 258AMPS AT 1.0SF,1480 RPM  
 SOUND POWER: 84  
 DMK, 06/04, DATA UPDATE 4/2005  
 INVERTER DUTY PER NEMA MG1 PART 31  
 FOR VARIABLE TORQUE LOADS

**Performance Characteristics**

1st Winding 1st Connection

**Design: 44AD1004A**

**Marks:**

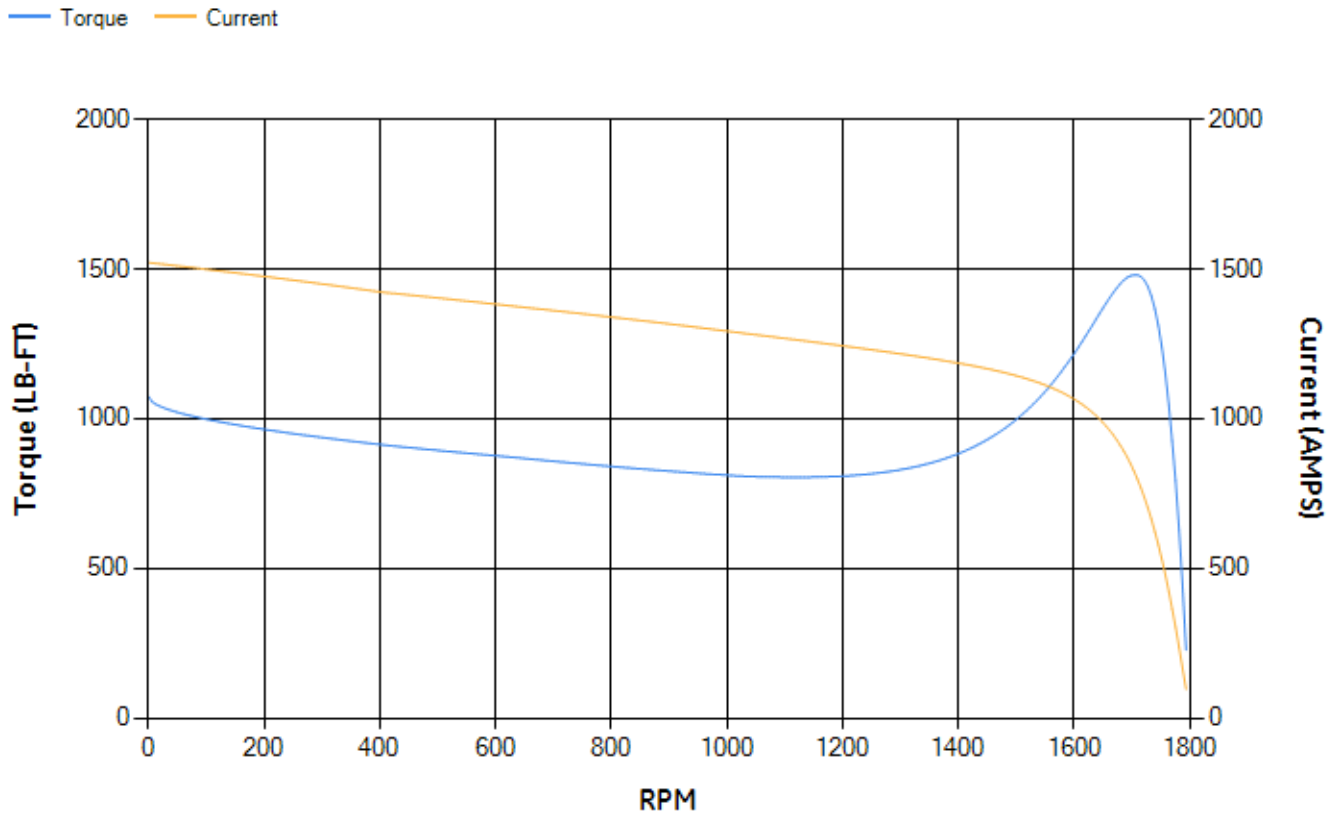
LOAD %	125.0	115.0	100.0	75.0	50.0	25.0	0.0
% EFF	95.11	95.37	95.89	96	95.82	93.94	0.00
% PF	88.65	89.03	89.25	88.33	84.04	67.75	5.11
AMPS	277.51	253.54	218.74	165.55	116.22	73.53	50.28

<b>TORQ(FL)#FT</b>	588.75	<b>TORQ(LR)%FL</b>	182.26	<b>TORQ(BD)%FL</b>	250.76
<b>AMPS(LR)</b>	1521.32	<b>PF AT START</b>	0.31		

This motor is capable of two cold or one hot start with a maximum connected load inertia of 3593 Lb-Ft Sq (151.27 Kg-meter Sq)at 100% voltage, where the load torque varies with the square of the speed. Acceleration time with maximum inertia and the above load type is 29 seconds. Safe stall time at 100% voltage is 50 seconds cold, 34 seconds hot. Rotor inertia is 59.89 Lb-Ft Sq (2.52 Kg-meter Sq).

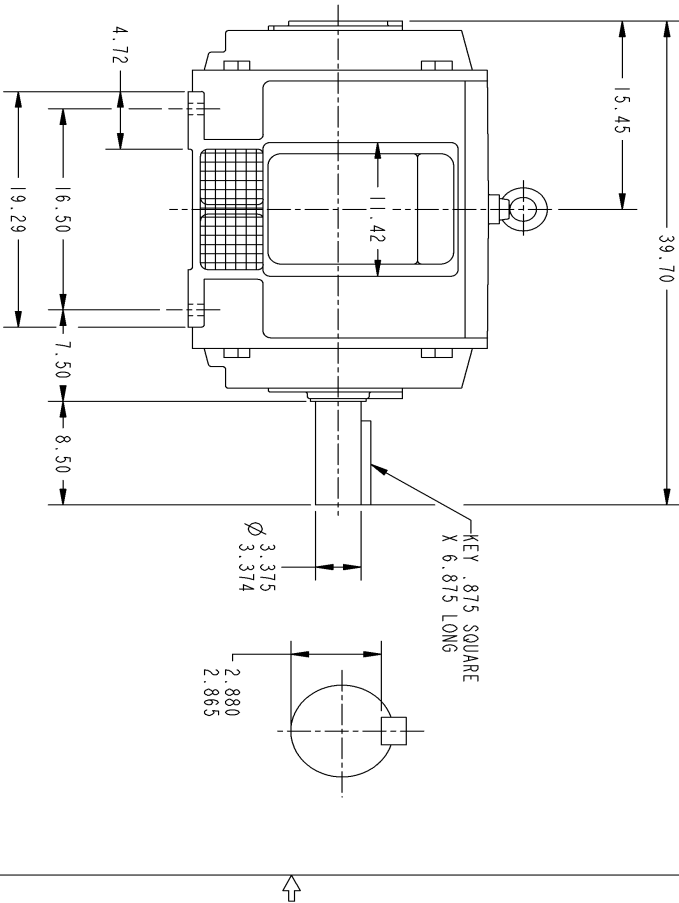
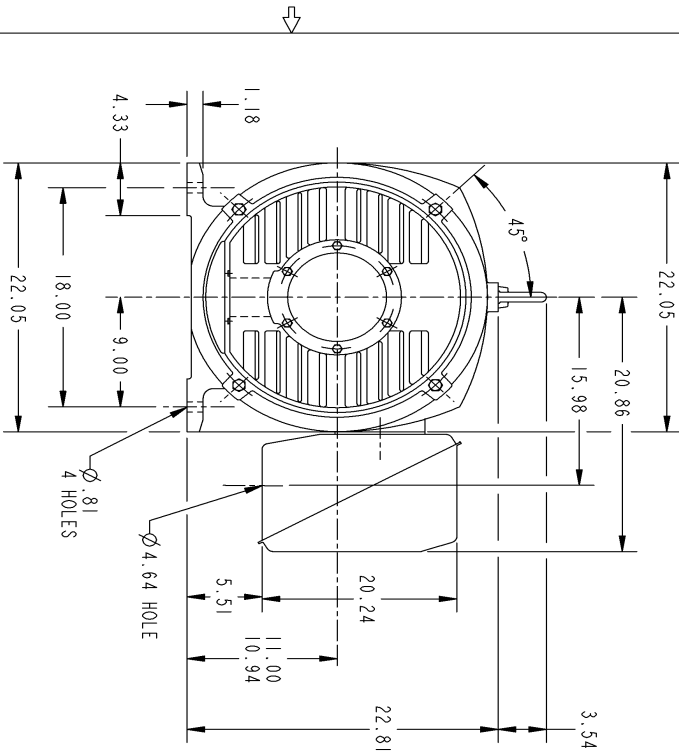
<b>Open Circuit A-C:</b>	1.278	<b>Short Circuit D-C:</b>	0.031
<b>Short Circuit A-C:</b>	0.04	<b>X/R Ratio:</b>	11.778
<b>Stator Slots:</b>	60	<b>Rotor Slots:</b>	50

**Speed Torque Current Curve (First Connection, First Speed)**



NAME:500903578 OBJECT:358B6204AC DATE:04-May-07 11:21:59

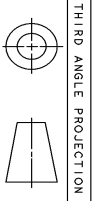
Marks:



GE PROPRIETARY AND CONFIDENTIAL INFORMATION

This document is the property of General Electric Company (GE) and contains proprietary information of GE. This document is loaned on the express condition that neither it nor the information contained therein shall be disclosed to any other person or organization without the express approval of GE. The information shall be used only for the specific application for which it was provided. This document shall be returned to GE upon its request. This document is not to be copied, reproduced, or distributed in any form without the express approval of GE.

REV.	DESCRIPTION	DATE	APPROVED
1	ISAAC 07-0770	05/02/07	R. KOHNE



- NOTES :
- CONDUIT BOX MAY BE PLACED WITH THE ENTRANCE DOWN, UP OR ON EITHER SIDE.
  - F-1 ASM AS SHOWN.
  - F-2 ASM - HAS CONDUIT BOX ON OPPOSITE SIDE.

FOR ADDITIONAL INFO REFER TO:	SIGNATURES	DATE
APPLIED DIMENSIONS ARE IN INCHES	MODEL	
TOLERANCE ON:	DESIGNER	
1 PL DECIMALS ±	AMAND	12/12/02
2 PL DECIMALS ±	DESIGNER	12/12/02
3 PL DECIMALS ±	ENGR	GANNON RAY
ANGLES ±	ISSUED	SIDDIKAR
FRACTIONS ±	QUALITY	
FINISH	ISSUED	12/13/02
MATERIAL	SOLID MODEL	MODEL NAME

GE Industrial Systems

GENERAL ELECTRIC COMPANY

TITLE

445T - CAST IRON ODP FOOTED OUTLINE

358B6204AC

SCALE: DRAWING SCALE

SHEET 1 of 1

Marks:

## Connection Diagram GEM-M1010

