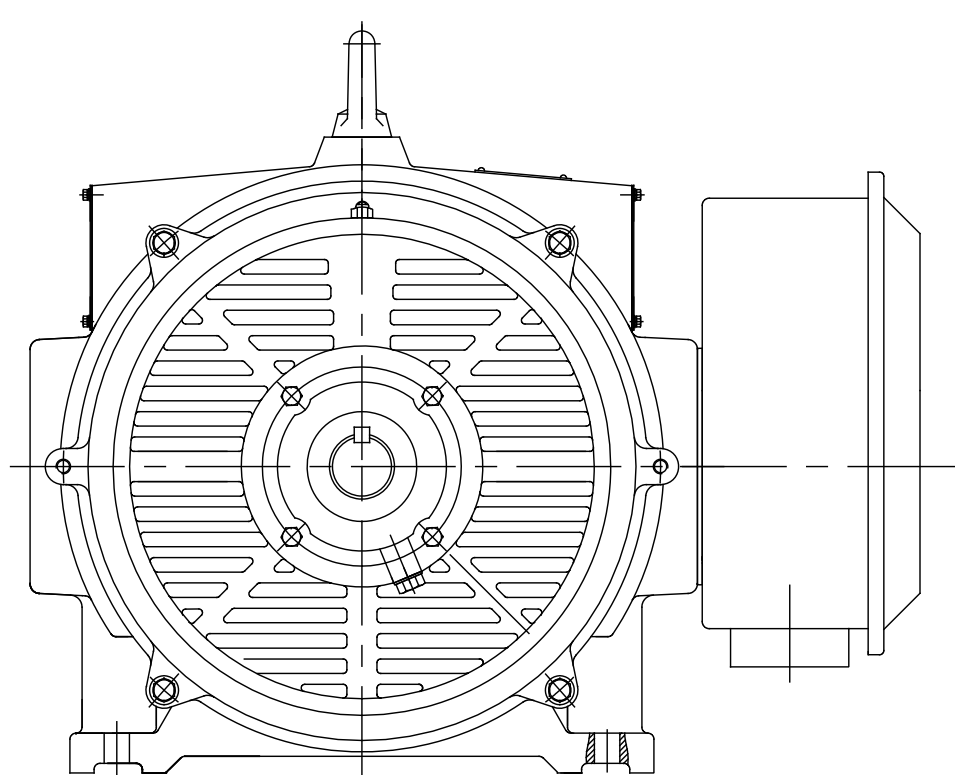


F2 MOUNTING



404T	37.20	19.29	N/A	8 HOLES
405T	38.78	20.87	13.75	12 HOLES
Frame	C	B	2F	N HOLES

		TOLERANCES UNLESS SPECIFIED		REGAL REGAL-BELOIT CORPORATION		DRAWN WY 07-21-2016	
		DEC.	INCHES			CHK	
		.X	±.1			APPD	
		.XX	±.03	TITLE		SCALE	NONE
		.XXX	±.005	404/405 T FR - ODP - CAST IRON		REF	
		.XXXX	±.0005	MAT'L.		FMF	WUXI
NO.	REVISION	BY & DATE	CHK	ANG	FINISH	PREV	
			RFP		CAD FILE SS620754	SIZE	DRAWING NO. PAGE 1 OF 1 REV.
			DIST			B	SS620754

THIS DRAWING IN DESIGN AND DETAIL IS OUR PROPERTY AND MUST NOT BE USED EXCEPT IN CONNECTION WITH OUR WORK ALL RIGHTS OF DESIGN AND INVENTION ARE RESERVED THIS IS AN ELECTRONICALLY GENERATED DOCUMENT - DO NOT SCALE THIS PRINT