

DATE  
APRIL 26, 2011

# OUTLINE DIMENSIONS

## 3-PHASE INDUCTION MOTOR

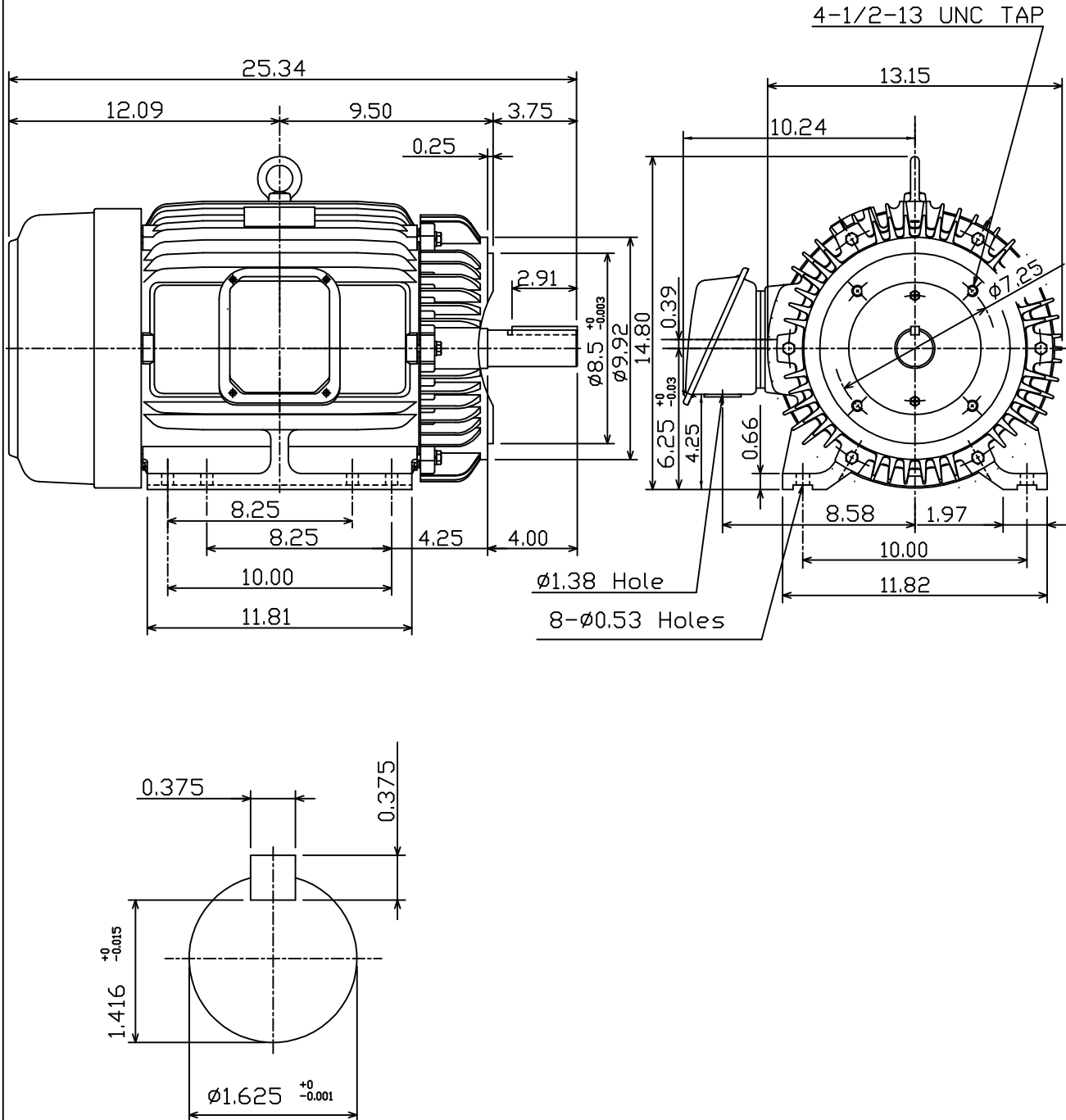
MOTOR TYPE:  
AEHH8P-CF  
FRAME NO. 256TC

CAT. #: NP0202C

Pole	HP	kW	Hz	VOLT	Syn.Speed r/min(rpm)
2	20	14.9	60	230/460	3600

Ins	Rating	Dimension in	Approx Weight	Bearings
F	CONT.	inch	334 lbs.	DE: 6309ZZ NDE: 6307ZZ

Totally Enclosed Fan Cooled Squirrel Cage Rotor.



DWN, J.H.LIANG	04 -23 -11
CHKD, J.H.LIANG	04 -23 -11
APPD, M.C.TSAI	04 -23 -11

TEC   Westinghouse

DWG NO.  
31049J349220