

DATE  
JUNE 21, 2005  
CATALOG NO.  
EP1/56

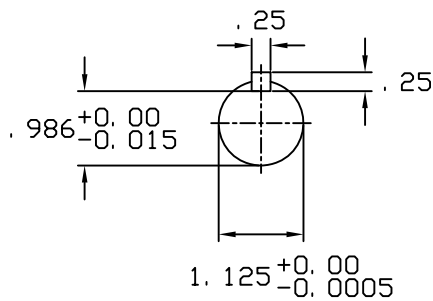
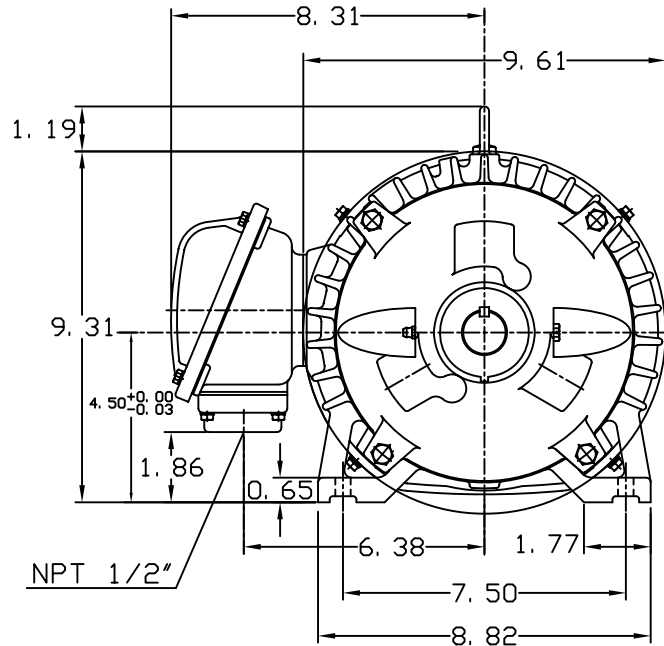
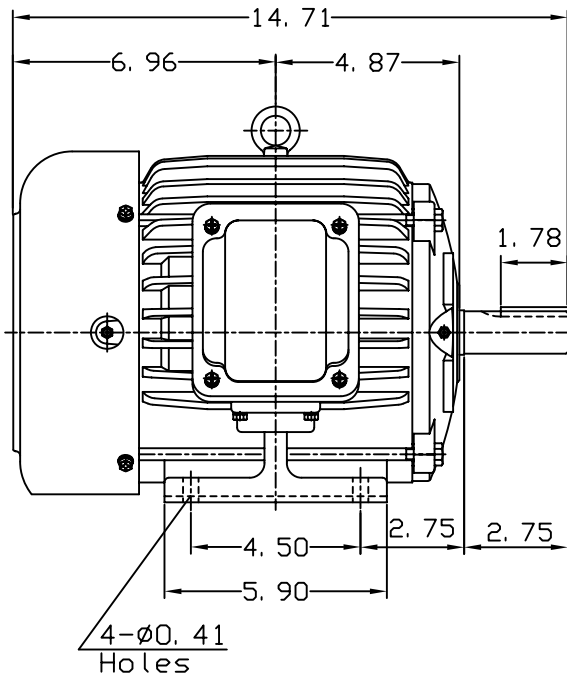
OUTLINE DIMENSIONS  
3-PHASE INDUCTION MOTOR

MOTOR TYPE:  
AEHH8N  
FRAME NO. 182T

| Pole | HP  | KW | Hz | VOLT    | Syn. Speed<br>RPM |
|------|-----|----|----|---------|-------------------|
| 6    | 1.5 | 1  | 60 | 230/460 | 1200              |

| Ins | Rating | Dimension in | Approx Weight | Bearings               |
|-----|--------|--------------|---------------|------------------------|
| F   | CONT.  | inch         | 95 lbs.       | DE: 6306ZZ NDE: 6306ZZ |

Totally Enclosed Fan-Cooled Type, Squirrel-Cage Rotor.



① 10. 30. 00

J. H. LIANG

|       |             |          |
|-------|-------------|----------|
| DWN.  | J. H. LIANG | 11-30-98 |
| CHKD. | C. S. LO    | 12-29-98 |
| APPD. | Y. B. HUANG | 12-29-98 |

TECO Westinghouse

DWG NO.  
31057H353002