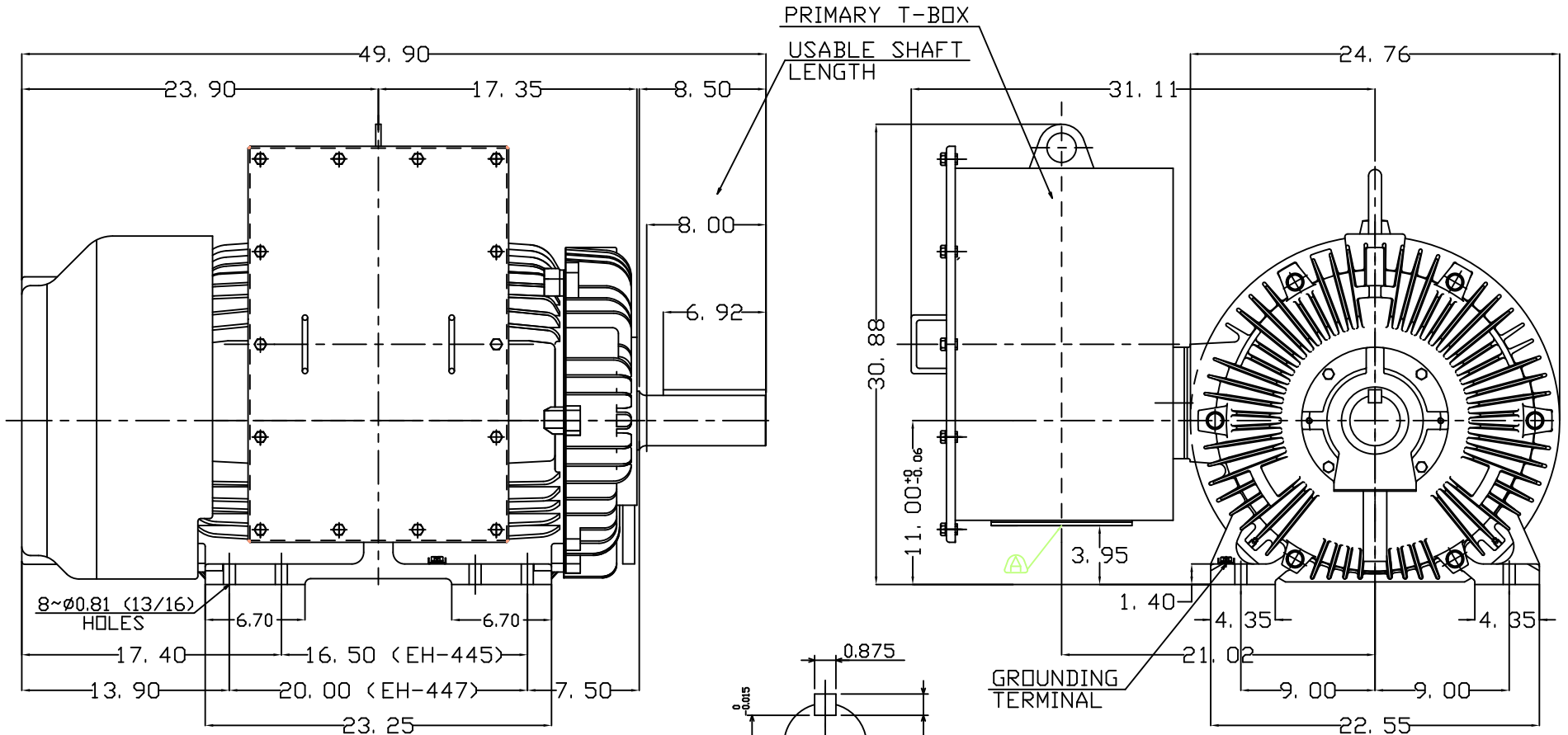


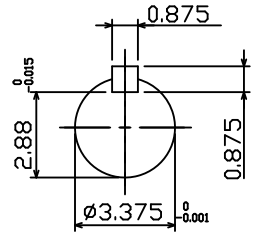
TYPE	OUTPUT		POLE	TIME RATING	VOLTAGE V	Hz	SYN.SPEED R.P.M
	HP.	kW.					
AEHH8B	125	94	8	CONT.	460	60	900

TOTALLY ENCLOSED FAN-COOLED TYPE, SQUIRREL CAGE ROTOR



- NOTE:
1. DIMENSIONS IN INCHES
 2. FRAME NO. 447T
 3. F CLASS INSULATION, S. F. 1. 15
 4. FOR DIRECT FLEXIBLE COUPLING
 5. ENCLOSURE: IP55
 6. BEARING SIZE: DRIVE END 6320C3
NON-DRIVE END 6316C3
 7. BOTH ENDS BEARING WITH INPRO SEAL
 8. NON-SPARKING FAN
 9. MOTOR APPROX. WEIGHT: 2134 lb
 10. VIBRATION: VERTICAL/HORIZONTAL BELOW 0.08 IN/SEC
AXIAL BELOW 0.06 IN/SEC
 11. NOISE: BELOW 83dBA AT 1 METER DISTANCE NO LOAD
 12. CORROSION PROOF
 13. CLASS I , DIVISION 2 , GROUP B/C/D , T3

SHAFT END
(ENLARGED VIEW)



REMOVABLE COVER FOR CABLE ENTRY TO BE DRILLED BY THE CUSTOMER.

R.S.V.	C.RAM	NOV 7 2014
DWN.	C.H.SHYU	SEP 27 2013
CHKD.	K.L.KOU	SEP 27 2013
APPD.	S.H.LIN	SEP 27 2013

DATE	NOV. 3, 2014
CATALOG#	HB1258

OUTLINE DIMENSIONS
3-PHASE INDUCTION MOTOR

TEC Westinghouse		DWG NO.	REV:00
		31057C453540	