

Product Information Packet

January 12, 2017

Data shown is for the current revision model #. Ensure your nameplate model # matches.

Model Number:	5KS254CAA105B
Catalog Number:	E9663
Instruction Manual:	GEI-56128
Connection Diagram:	GEM2034E-FIG3
Outline Drawing:	4002B5825RAP5201

Accessory Connection Diagrams			
Bearing Thermocouple:	None	Heater:	None
RTD:	None	Thermistor:	None
Thermostat:	3027JE-2A	Winding Thermocouple:	None
Bearing RTD:	None		

Table of Contents	
Specification	01
Performance Characteristics	02
Outline Drawing	03
Connection Drawing(s)	04

Marks:

MODEL NUMBER:	5KS254CAA105B	Estimated Weight:	315 Lbs
Outline Drawing:	4002B5825RAP5201	Time Rating:	CONT
Connection Diagram:	GEM2034E-FIG3	Enclosure:	TEFC
Instruction Book:	GEI-56128	Encl Construction:	XP
Design Code:	25BD0090A	Ambient Max(°C):	40
Type:	KS	Alt Ambient Max(°C):	--
Frame:	254T	Insulation Class:	F
Phases:	3	NEMA Design:	B
Poles:	2	Nominal Efficiency:	91 %
Output Power:	15HP 11.1KW	Guaranteed Efficiency:	89.5
RPM:	3550	3/4 Load Efficiency:	91.8
Voltage:	230/460	KVA Code:	G
Hertz:	60	Max KVAR:	2.9
Amps - FL:	34.6/17.3	Power Factor:	89.0
Service Factor:	1.00	Bearing - DE:	6309ZC3
Alt Service Factor:	--	Bearing - ODE:	6309ZC3

Enclosure is Totally Enclosed Fan-Cooled

Stamped Nameplate Notes:

EXPLOSION PROOF MOTOR
TEMP CODE T3C
THERMOSTAT LEADS TB1-TB2
STAMP NP249A5571AD "CL I (C & D) CL II (F & G)"

Additional Information:

2P - T EXTN
STANDARD FLOOR MOUNT
C/BOX 127 CU IN-1.25 NPT
F1 CONDUIT BOX MOUNTING
AUX LEADS EXIT WITH MOTOR LEADS
CL I C & D CL II F & G EXPLOSION PROOF MOTOR

Performance Characteristics

1st Winding 1st Connection

Design: 25BD0090A

Marks:

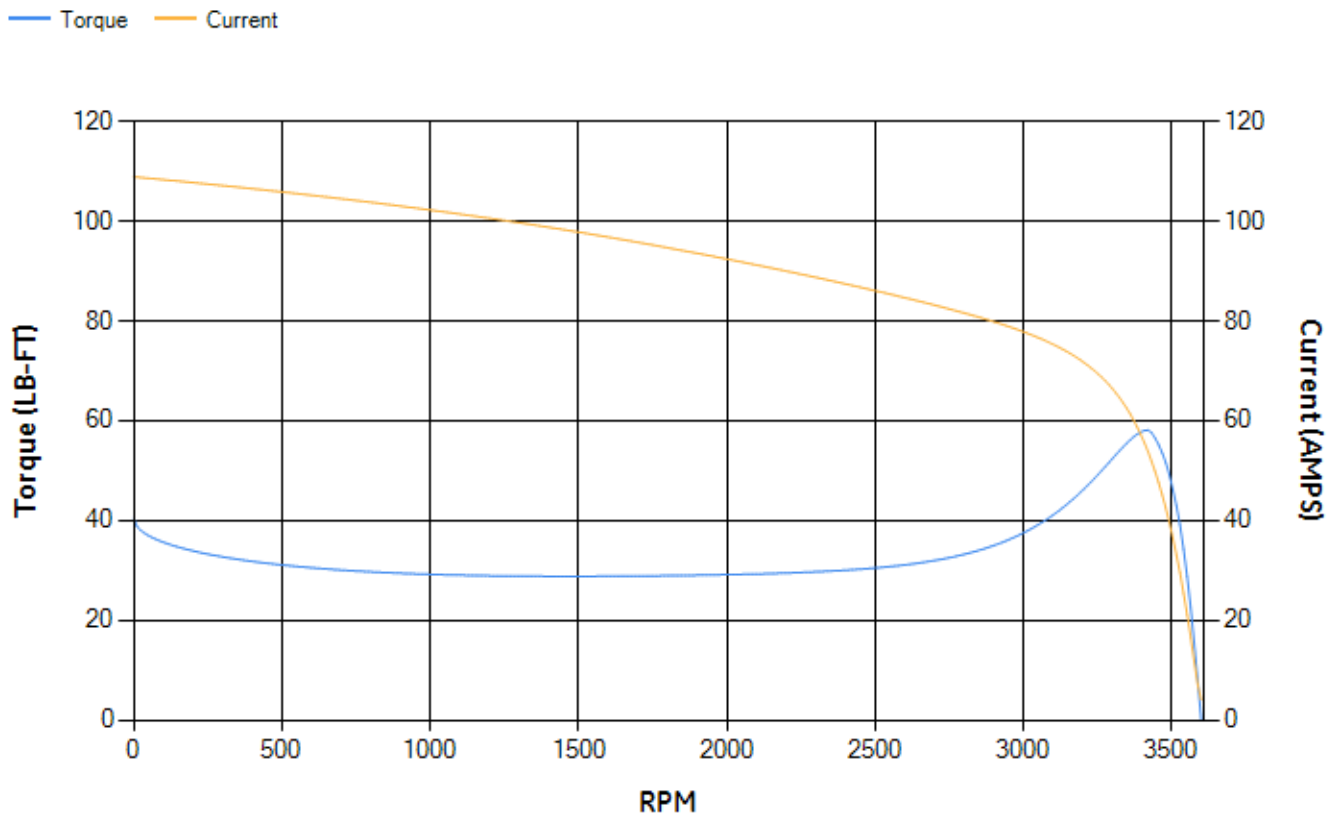
LOAD %	125.0	115.0	100.0	75.0	50.0	25.0	0.0
% EFF	89.46	90.13	91.15	91.83	91.73	88.48	0.00
% PF	88.61	89.02	89.24	88.25	83.82	67.77	9.58
AMPS	22.14	20.12	17.26	12.99	9.13	5.85	4.01

TORQ(FL)#FT	22.19	TORQ(LR)%FL	182.51	TORQ(BD)%FL	260.79
AMPS(LR)	108.87	PF AT START	0.3		

This motor is capable of two cold or one hot start with a maximum connected load inertia of 109 Lb-Ft Sq (4.59 Kg-meter Sq)at 100% voltage, where the load torque varies with the square of the speed. Acceleration time with maximum inertia and the above load type is 50 seconds. Safe stall time at 100% voltage is 94 seconds cold, 60 seconds hot. Rotor inertia is 1.05 Lb-Ft Sq (0.04 Kg-meter Sq).

Open Circuit A-C:	0.844	Short Circuit D-C:	0.013
Short Circuit A-C:	0.031	X/R Ratio:	4.8
Stator Slots:	36	Rotor Slots:	26

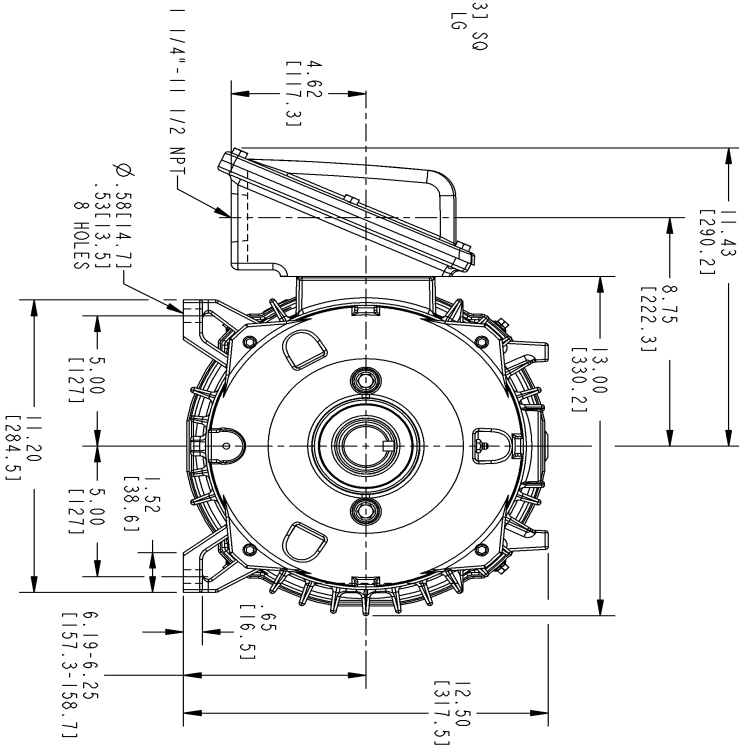
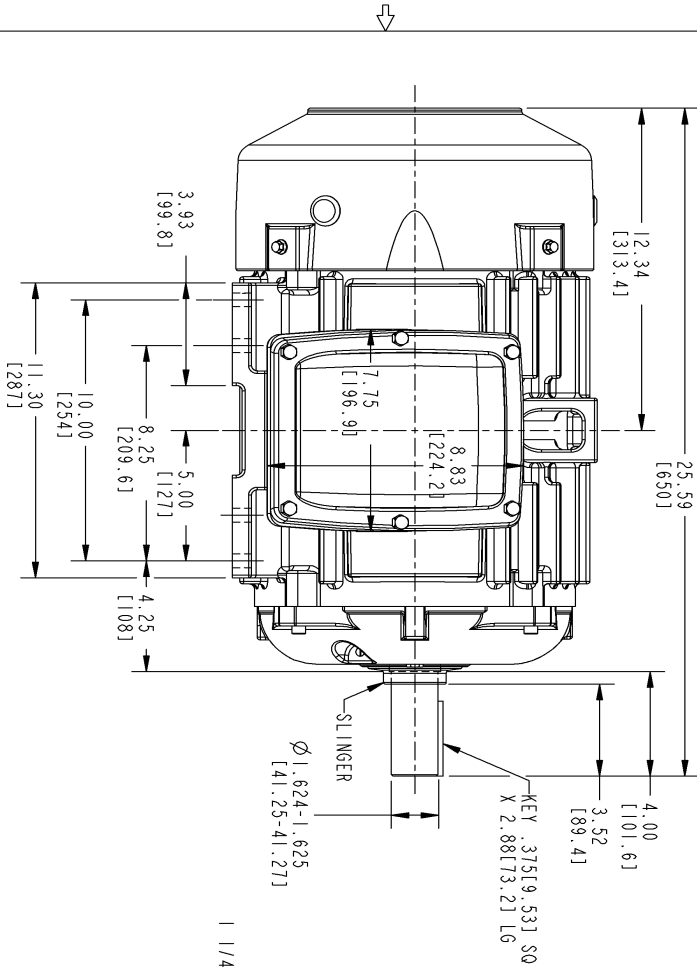
Speed Torque Current Curve (First Connection, First Speed)



NAME:500957145 OBJECT:4002B5825RAP5201 DATE:23-Nov-07 19:23:09

Marks:

NOTE 1 : CONDUIT BOX MAY BE ASSEMBLED WITH ENTRANCE UP, DOWN OR TO EITHER SIDE.
 NOTE 2 : F1 ASSEMBLY AS SHOWN. F2 ASSEMBLY CONDUIT BOX ON OPPOSITE SIDE FROM SHOWN LOCATION.

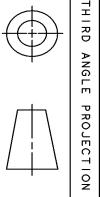


REV.	DESCRIPTION	DATE	APPROVED	
1	DUAL DIMENSION ADDED	SMITHUN	11/23/07	HEMANTH

SIZE DRAWING NO. 4002B5825RAP5201

SH 1 REV

REVISIONS



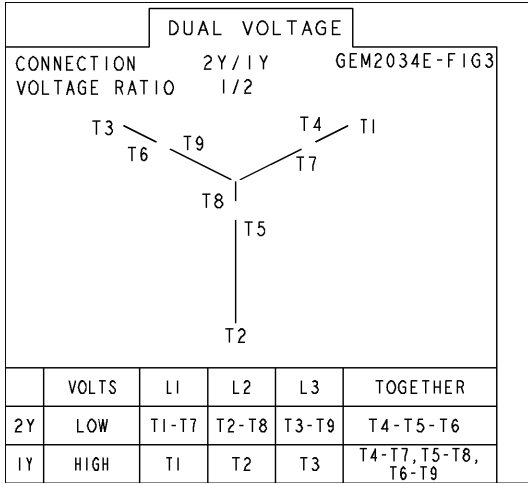
THIRD ANGLE PROJECTION

SIGNATURES	DATE	GE Industrial Systems	GENERAL ELECTRIC COMPANY
DRAWN: GARY WARRNER	JUN 21/02		Fort Wayne, Indiana
CHECKED: GARY WARRNER	JUN 21/02		
ISSUED: GARY WARRNER	JUL 04/02		
APPLIED PRACTICES		INDUCTION MOTOR OUTLINE STANDARD CONSTRUCTION FME: FR250T FCXR XSD ULTRA	
SIZE DRAWING	B	SCALE: 0.250	REF. NO.: 4002B5825RAP5201
REV.	1	SHEET 1 OF 1	

DISTRIBUTION: PMP-18K15

Marks:

Connection Diagram
GEM2034E-FIG3



Thermostat Connection
3027JE-2A

