

Product Information Packet

November 7, 2016

Data shown is for the current revision model #. Ensure your nameplate model # matches.

Model Number:	5KS182ATE205AF2
Catalog Number:	E796
Instruction Manual:	GEI-M1023
Connection Diagram:	GEM2034E-FIG3
Outline Drawing:	358B6214AA

Accessory Connection Diagrams			
Bearing Thermocouple:	None	Heater:	None
RTD:	None	Thermistor:	None
Thermostat:	None	Winding Thermocouple:	None
Bearing RTD:	None		

Table of Contents	
Specification	01
Performance Characteristics	02
Outline Drawing	03
Connection Drawing(s)	04

Marks:

MODEL NUMBER:	5KS182ATE205AF2	Estimated Weight:	93 Lbs
Outline Drawing:	358B6214AA	Time Rating:	CONT
Connection Diagram:	GEM2034E-FIG3	Enclosure:	DP
Instruction Book:	GEI-M1023	Encl Construction:	OPEN
Design Code:	18AD1006A	Ambient Max(°C):	40
Type:	KS	Alt Ambient Max(°C):	--
Frame:	182T	Insulation Class:	F
Phases:	3	NEMA Design:	A
Poles:	4	Nominal Efficiency:	89.5 %
Output Power:	3HP 2.2KW	Guaranteed Efficiency:	87.5
RPM:	1755	3/4 Load Efficiency:	90.6
Voltage:	230/460	KVA Code:	L
Hertz:	60	Max KVAR:	1.2
Amps - FL:	7.8/3.9	Power Factor:	79.5
Service Factor:	1.15	Bearing - DE:	6207ZZ
Alt Service Factor:	--	Bearing - ODE:	6206ZZ

Enclosure is Dripproof

Stamped Nameplate Notes:**Additional Information:**

OFFSET STATOR CORE NOT SUITABLE FOR F1 CONVERSION
 4 POLE DP
 LRA: 69.8/34.9
 NO. OF MOTOR LEADS: 9
 CONDUIT BOX VOLUME (IN³): 30.2
 CONDUIT BOX MTL: STAMPED STEEL
 GREASE TYPE: SHELL ALVANIA R3 LITHIUM GREASE
 USABLE AT 200V @ 3HP, 8.7 AMPS @ 1.0 SF
 50 HZ DATA: 3HP, 200/400V, 8.8/4.4 AMPS @ 1.0 SF, 1445 RPM
 SOUND POWER: 66.5
 DMK, 06/04, DATA UPDATE 11/2004
 INVERTER DUTY PER NEMA MG1 PART 31
 FOR VARIABLE TORQUE LOADS

Performance Characteristics

1st Winding 1st Connection

Design: 18AD1006A

Marks:

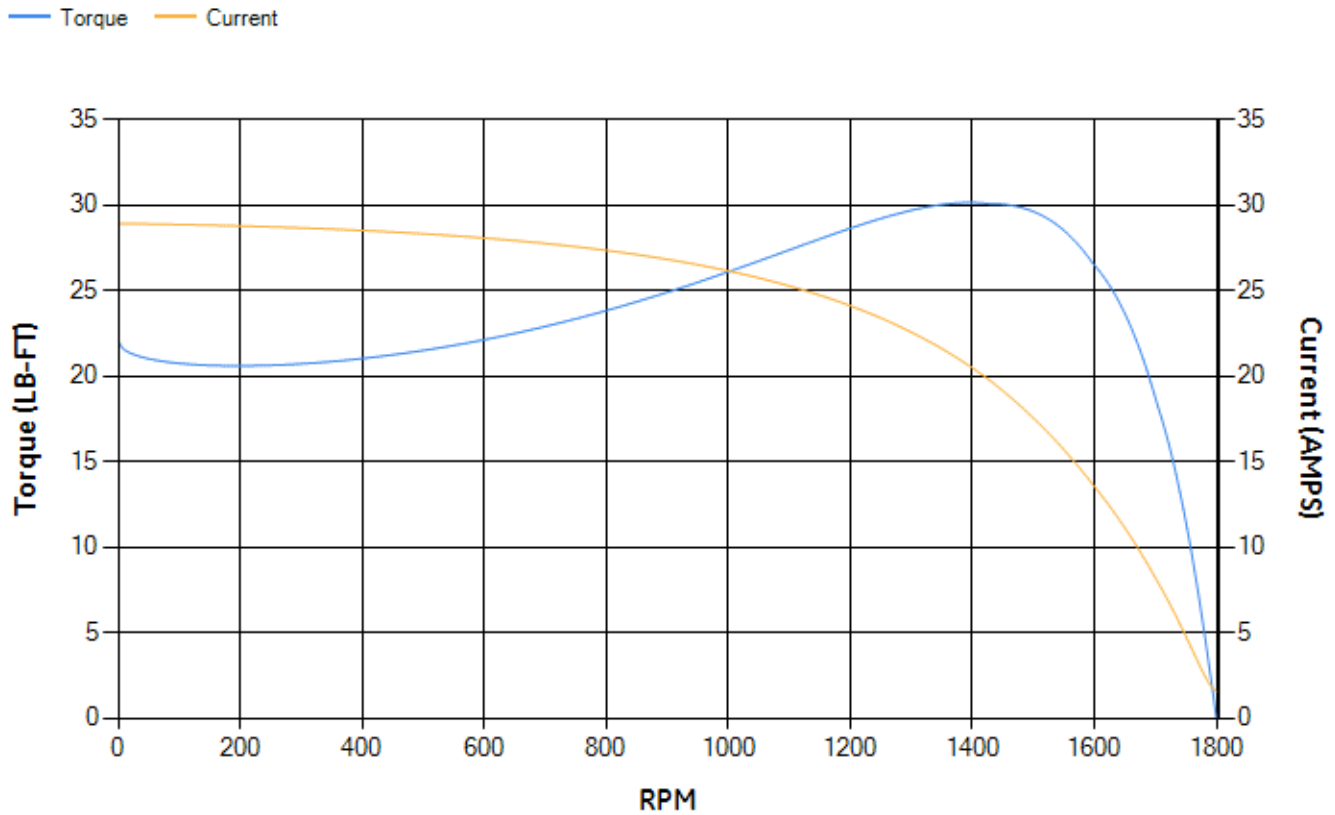
LOAD %	125.0	115.0	100.0	75.0	50.0	25.0	0.0
% EFF	88.93	89.44	90.27	90.6	89.95	85.37	0.00
% PF	83.62	82.93	81.32	76.36	66.04	44.68	6.57
AMPS	4.72	4.35	3.82	3.04	2.36	1.84	1.57

TORQ(FL)#FT	8.97	TORQ(LR)%FL	245.75	TORQ(BD)%FL	331.02
AMPS(LR)	28.91	PF AT START	0.44		

This motor is capable of two cold or one hot start with a maximum connected load inertia of 124 Lb-Ft Sq (5.22 Kg-meter Sq)at 100% voltage, where the load torque varies with the square of the speed. Acceleration time with maximum inertia and the above load type is 34 seconds. Safe stall time at 100% voltage is 81 seconds cold, 59 seconds hot. Rotor inertia is 0.39 Lb-Ft Sq (0.02 Kg-meter Sq).

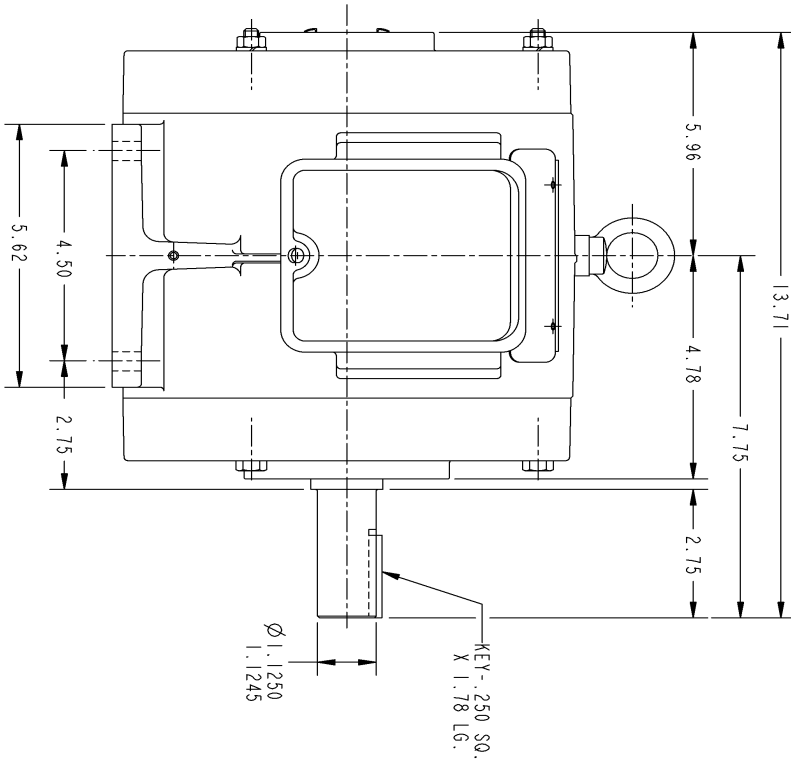
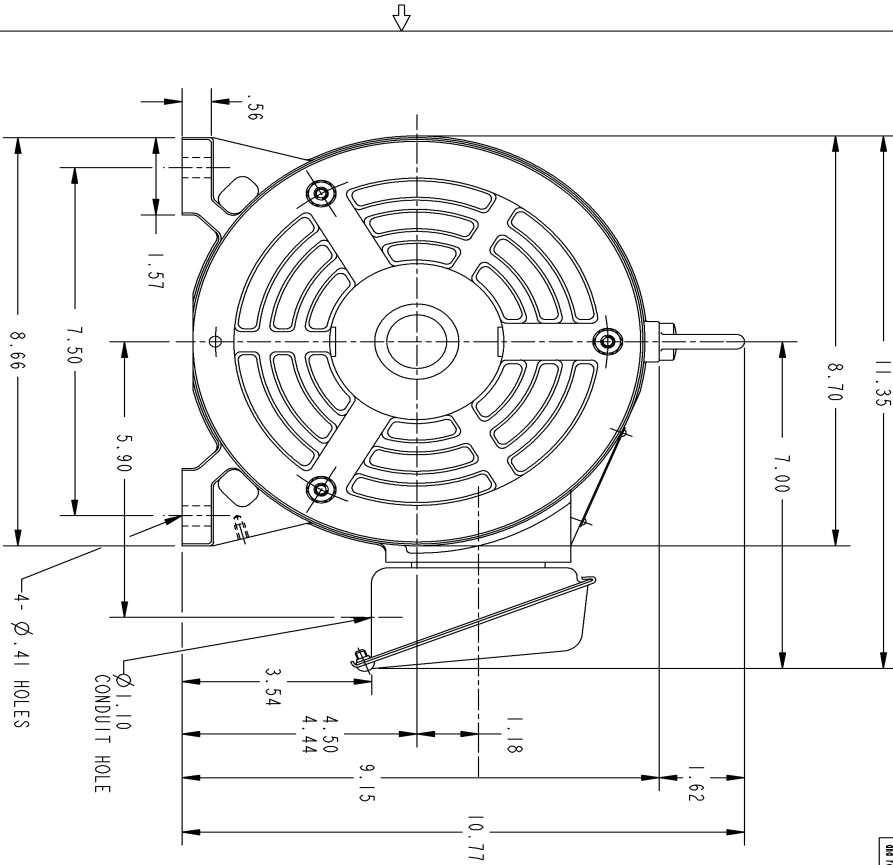
Open Circuit A-C:	0.254	Short Circuit D-C:	0.009
Short Circuit A-C:	0.012	X/R Ratio:	3.261
Stator Slots:	36	Rotor Slots:	28

Speed Torque Current Curve (First Connection, First Speed)



NAME:501452442 OBJECT:358B6214AA DATE:24-May-07 22:58:52

Marks:



THIS DRAWING IS THE PROPERTY OF GEORGE EASTMAN COMPANY (GEC) AND CONTAINS PROPRIETARY INFORMATION. THIS DRAWING IS LOANED TO THE USER FOR THE USER'S INFORMATION ONLY. THE USER SHALL BE RESPONSIBLE FOR THE PROTECTION OF THIS DRAWING AND SHALL NOT REPRODUCE, COPY, OR TRANSMIT THIS DRAWING IN ANY MANNER WITHOUT THE WRITTEN PERMISSION OF GEC. THIS DRAWING SHALL BE RETURNED TO GEC UPON THE USER'S REQUEST.

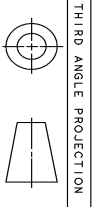
SIZE: DRAWING FOR B 358B6214AA GE PROPRIETARY INFORMATION

REVISIONS

REV.	DESCRIPTION	DATE	APPROVED
1	ISAAC 07-0770	05/02/07	R. KOHNE

NOTES :

1. CONDUIT BOX MAY BE PLACED WITH THE ENTRANCE DOWN, UP OR ON EITHER SIDE.
2. F-1 ASM AS SHOWN.
3. F-2 ASM - HAS CONDUIT BOX ON OPPOSITE SIDE.



UNLESS OTHERWISE SPECIFIED:		SIGNATURES		DATE	
DIMENSIONS ARE IN INCHES					
TOLERANCE ON:					
2 PL DECIMALS ± .015					
3 PL DECIMALS ± .005					
ANGLES ± 1°					
MATERIAL:		ISSUED		PRADESHKAR 03/27/03	
APPLIED PRACTICES		P. RAJU		03/28/03	
SCALE: DRAWING SCALE		CHECKED		PRADESHKAR 03/27/03	
SIZE: DRAWING B		ENGR		03/27/03	
DISTRIBUTION:		GENERAL ELECTRIC COMPANY		Fort Wayne, Indiana	
SHEET 1 OF 1		182T - OPEN DRIP PROOF		OUTLINE	
REV. 1		358B6214AA		GE Industrial Systems	

Marks:

Connection Diagram
GEM2034E-FIG3

