

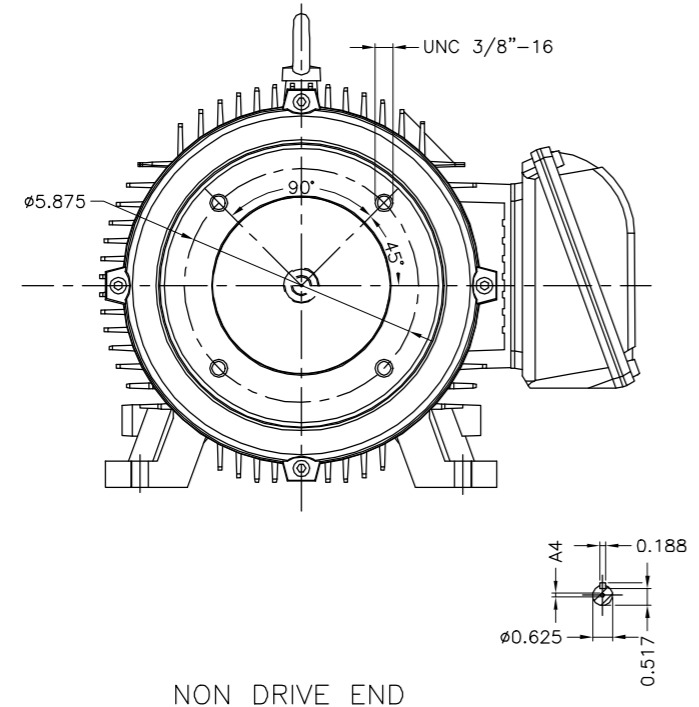
EJE/SHAFT	
ESTÁNDAR/STANDARD	
OPCIONAL/OPTIONAL	
ESPECIAL/SPECIAL	X

Dimensões em polegadas
Dimensions in inches

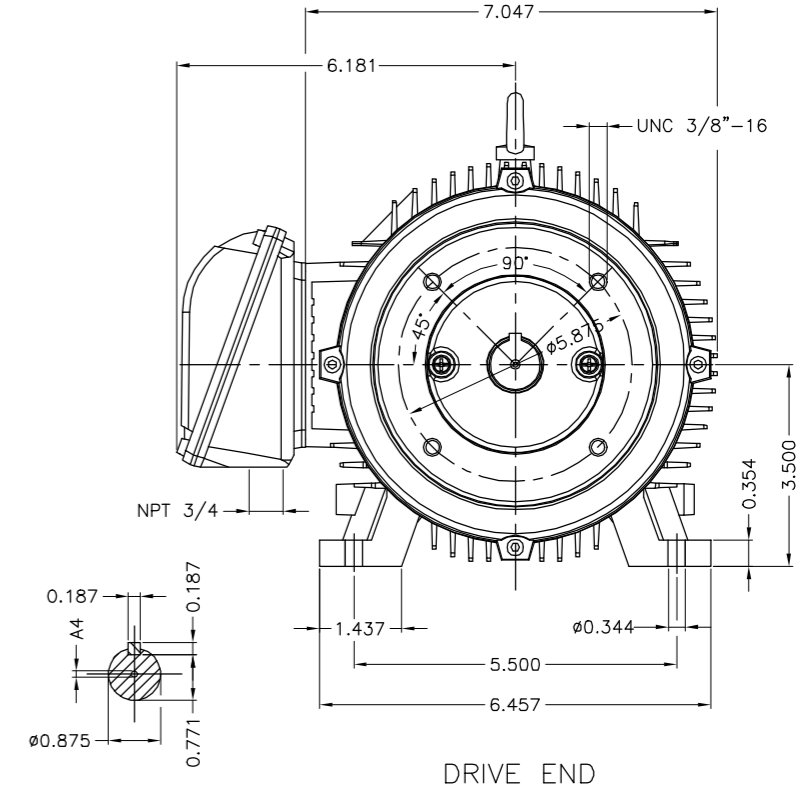
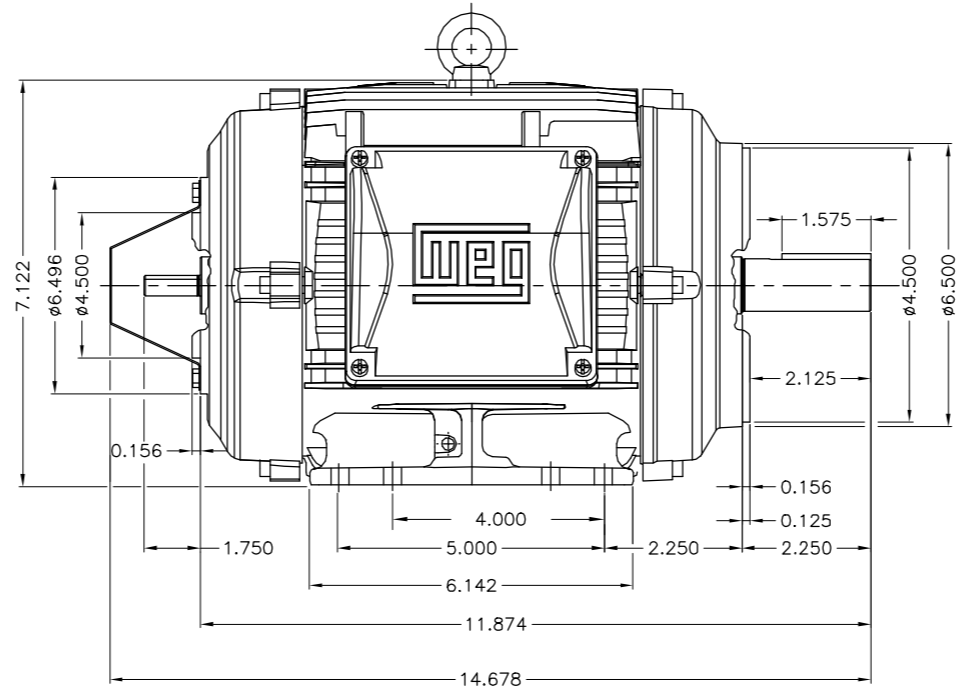
CERTIFIED WEG MOTORES
Certified document.
Not subject to changes.

THIS IS AN UPDATED REVISION, THE PREVIOUS ONE MUST BE DISREGARDED.

A
B
C
D
E



NON DRIVE END



DRIVE END

Sin deflectora / Without fan cover						
Termostato 155°C - Desconexión / Thermostats 155°C to trip						
Anillo fijación del rodamiento / Bearing cap						
Sin ventilador / Without fan						
Plan de pintura 207A / Painting plan 207A						
Forma constructiva NEMA F-1 / Mounting NEMA F-1						
Forma constructiva B34R(D) / Mounting B34R(D)						
WEG ELECTRIC CORPORATION - WEC						

OV: 3133830	
PC: CHI.17687	
ECM	LOC
EXECUTED	PNAVA
CHECKED	
RELEASED	PNAVA
REL DT	31.03.2014

500001086698	ALT. DISTÂNCIA FUNDO CHAVETA	ALESOMZ	MENSOR	21.09.2015	01
500001024310	DOCUMENTO NOVO	OLOPEZ	AZUE	15.04.2015	00
EXECUTED	LOC	EXECUTED	CHECKED	RELEASED	DATE
EXECUTED	PNAVA	THREE PHASE W22 MOTOR - NEMA PREMIUM EFF		10002789442	
CHECKED		FRAME 143/5TC IP55		000 02	
RELEASED	PNAVA	WEG		SHEET 1 / 1	
REL DT	31.03.2014	WNX	HUEHUETOCA	INGENIERA DEL PRODUCTO	

2 HP 04 Poles 60Hz 413383216

UNCONTROLLED COPY

RELEASED

ZME A3