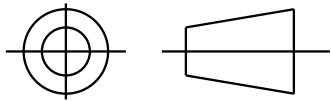


SHEET 11
 REV 11
 SIZE DRAWING NO. 52A102689
 A

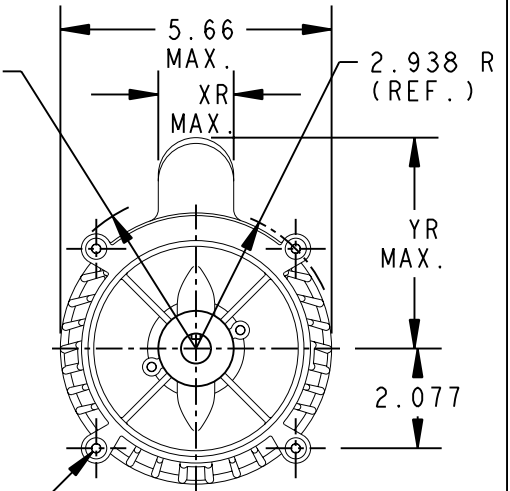
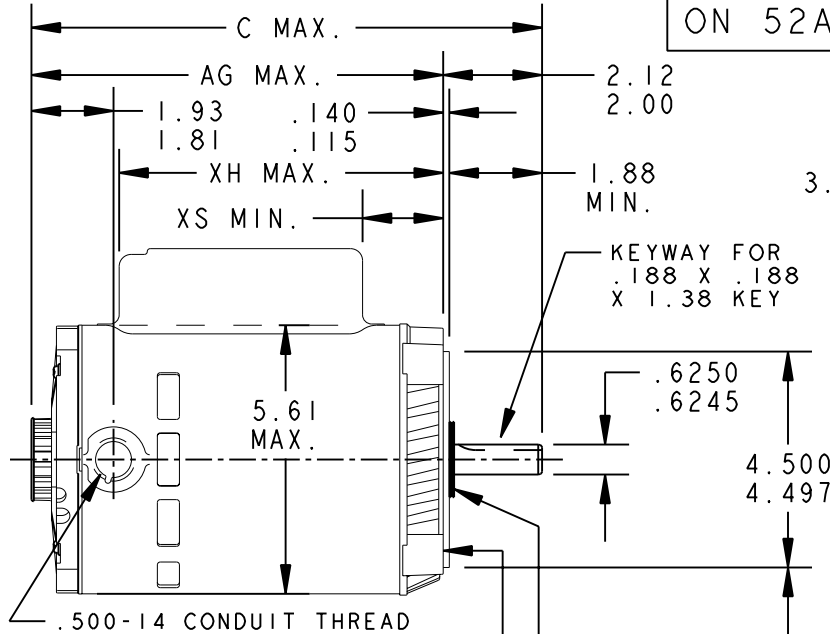
THIRD ANGLE PROJECTION



REVISIONS

REV.	DESCRIPTION	DATE	APPROVED
9	1.88 MIN. WAS 1.88 MAX	07/30/92	BLJ
10	FORMAT CHG PER ISAAC 05-1777	01/06/06	RAJKUMAR
11	UPDATED AS PER ISAAC 06-0816	04/06/06	ARCHANA

CONTINUED
ON 52A105698




FACE RUNOUT (WITH INDICATOR MOUNTED STATIONARY RELATIVE TO SHAFT) MUST NOT EXCEED .004 T.I.R.

WATER SLINGER (WHEN SPECIFIED)

ECCENTRICITY OF THIS SURFACE (WITH INDICATOR MOUNTED STATIONARY RELATIVE TO SHAFT) MUST NOT EXCEED .004 T.I.R.

.375-16 UNC-2B (4 HOLES) .82 MIN. FULL THD. THESE HOLES FIT A GAGE HAVING A RABBIT 4.5005 DIA. AND 4 PINS .2917 DIA. LOCATED ON THE BASIC HOLE POSITIONS.

8	KC	39	56C	12.59	10.49	2.66	8.32	1.60	4.34	8.50
7	KC	39	56C	12.59	10.49	3.27	8.91	1.60	4.34	8.50
6	KC	39	56C	11.84	9.74	2.52	8.16	1.60	4.34	7.75
5	KC	38	56C	11.31	9.21	1.99	7.63	1.60	4.34	
4	KC	37	56C	10.71	8.61	1.39	7.03	1.60	4.34	
3	KC	36	56C	10.31	8.21	1.39	6.63	1.60	4.34	
2	KC	37	56C	10.71	8.61	1.39	7.03	2.22	4.96	
1	KC	39	56C	12.59	10.49	3.02	8.66	1.60	4.34	8.50
P	TYPE	GE SIZE	NEMA FR	C	AG	XS	XH	XR	YR	SHELL REF.

FOR ADDITIONAL INFO REFER TO: APPLIED PRACTICES DIMENSIONS ARE IN INCHES ✓ MATERIAL	SIGNATURES		DATE	 REGAL-BELOIT CORPORATION TITLE OUTLINE FORM N - PUMP MOTOR - DRIP PROOF - R2 END MOUNTED SLEEV & BALL BEARING - FMF:5KC37MN134T SIZE DRAWING 52A102689 SCALE: 0.250 REF. No: . SHEET 1 of 1
	MODEL B.A.C.		04/24/78	
	DETAIL		.	
	CHECKED		.	
	ENGRG		.	
MFG		.		
QUALITY		.		
ISSUED		B.L.J	03/23/92	
SOLID MODEL: 52A102689				