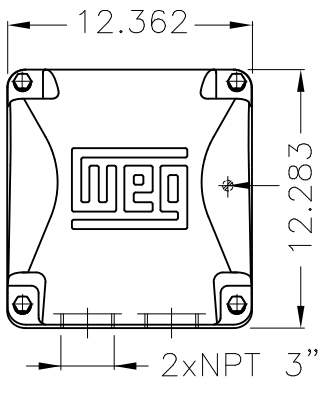


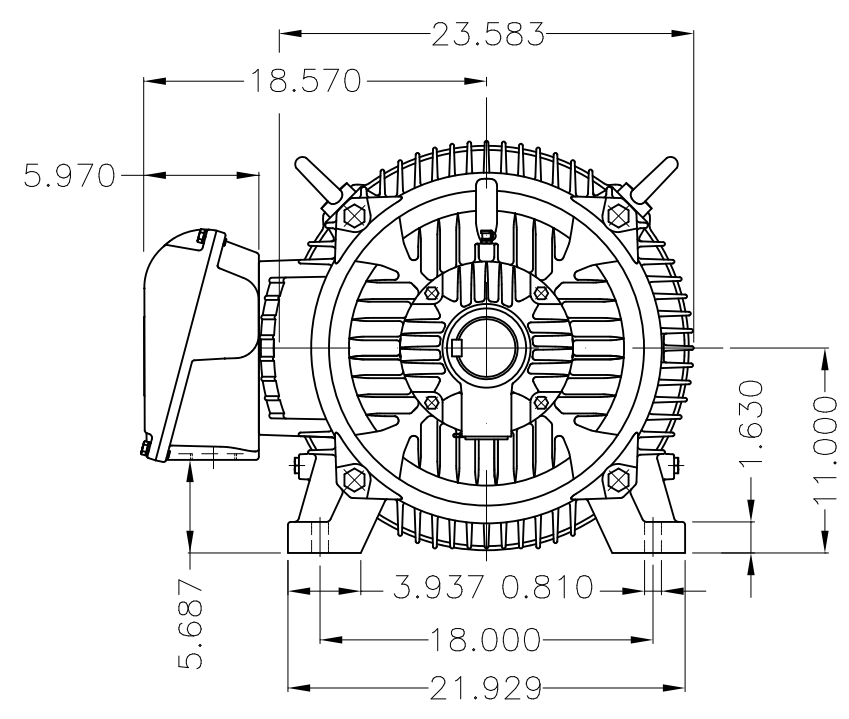
Dimensões em polegada
Dimensions in inches

THIS IS AN UPDATED REVISION, THE
PREVIOUS ONE MUST BE DISREGARDED.

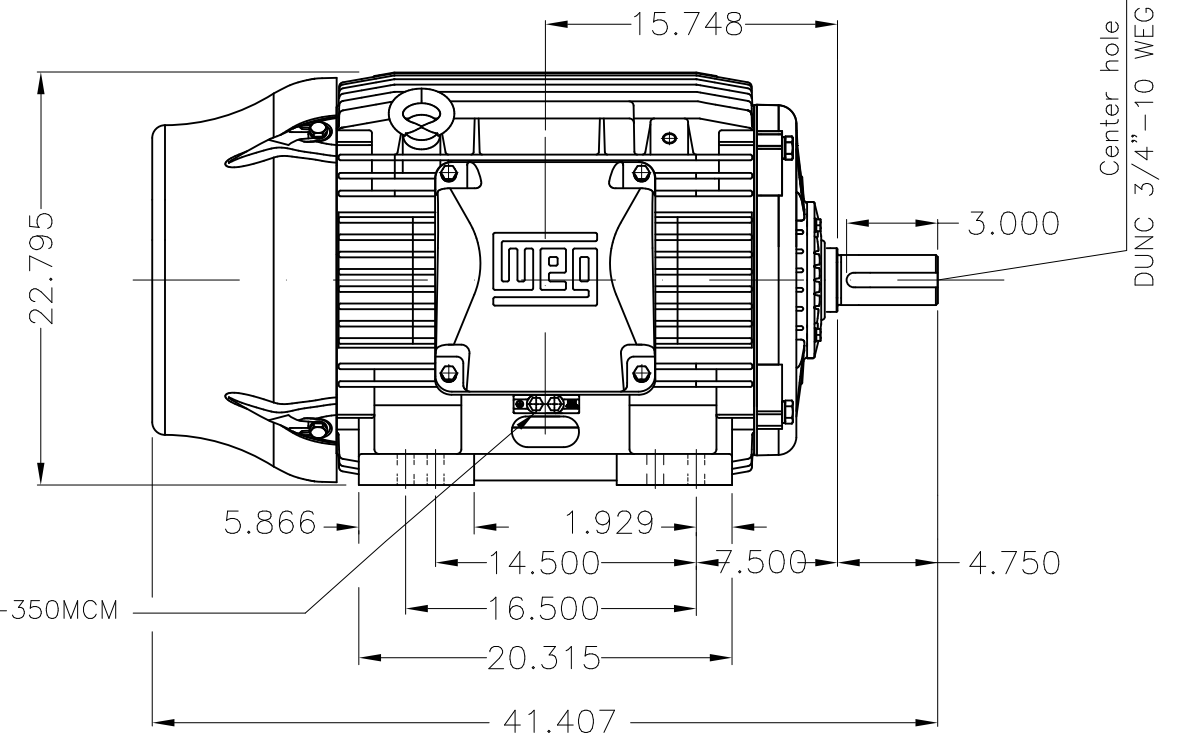


Grounding for leads 35-70 mm² / 1-2/0 AWG

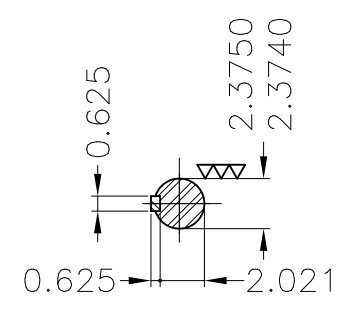
Main terminal box



Grounding for leads 25-185 mm² / 3AWG-350MCM



Center hole
DUNC 3/4"-10 WEG TBG12



DE Shaft End

TS shaft end
Color RAL 5009
Painting plan 203A
Mounting B3R(D)

ECM	LOC	SUMMARY OF MODIFICATIONS	EXECUTED	CHECKED	RELEASED	DATE	VER
EXECUTED	USERADMIN	THREE PHASE W22 MOTOR - NEMA PREMIUM EFF					
CHECKED		FRAME 444/5TS IP55 TEFC					
RELEASED		WEG code: 11567250					
REL DT	24.07.2017	WMO Jaragua do Sul	Product Engineering	SHEET	1 / 1		

150 HP 04 Poles 60Hz

