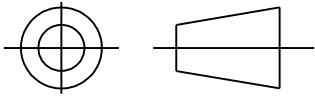


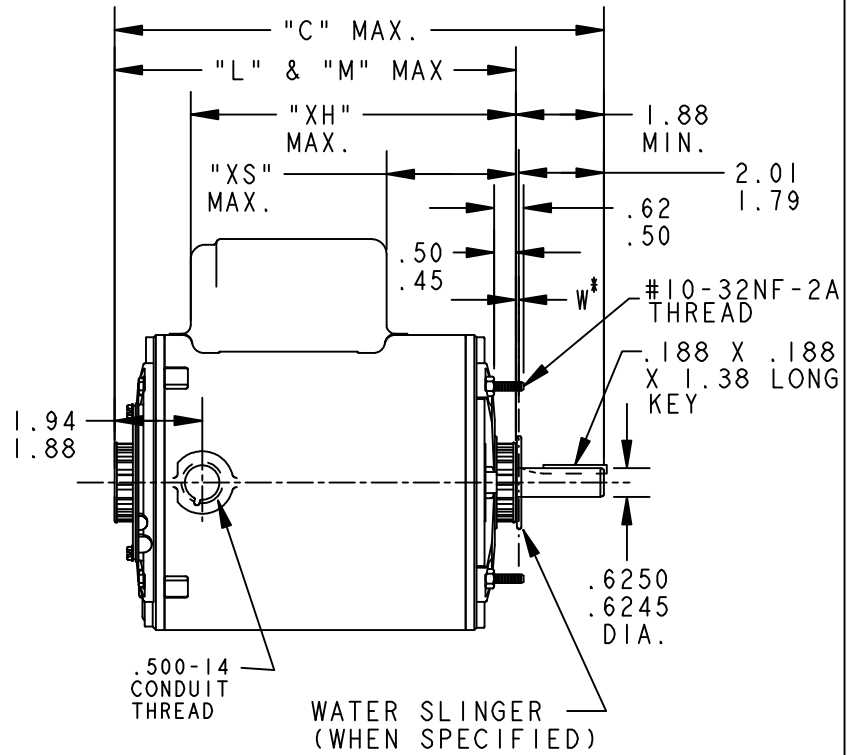
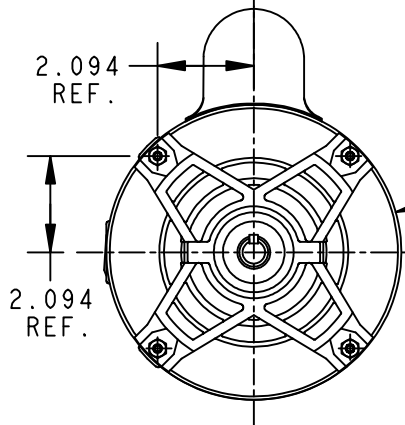
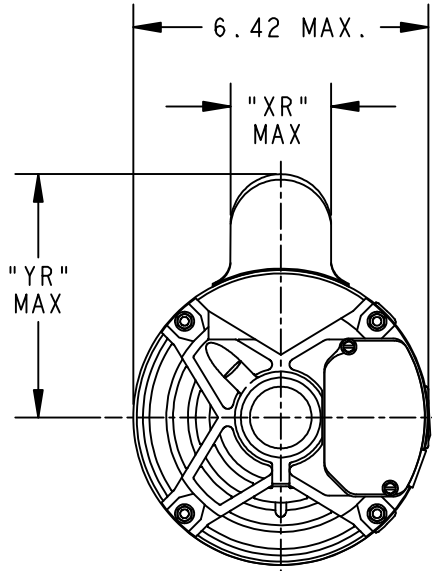
THIRD ANGLE PROJECTION



REVISIONS

REV.	DESCRIPTION	DATE	APPROVED
2	CLAMP SCREW EXT. CHANGED PER IS10-4432.	11/08/10	KARTHIK

SHEET 1
REV 2
52A107893
SIZE DRAWING NO. A




*W IS A VARIABLE CLEARANCE DUE TO VARIATIONS IN PARTS AND ASSEMBLY

ALL DIMENSIONS ARE IN INCHES

I	KCP	49	56	11.91	10.01	8.27	4.68	2.15	2.57			7.68
P	TYPE	GE SIZE	NEMA FR.	"C"	L&M	"XH"	"YR"	"XR"	"XS"			MIN. SHELL

SIGNATURES		DATE
MODEL	M.M.E.	02/24/94
DETAIL	.	.
CHECKED	.	.
ENGRG	.	.
MFG	.	.
QUALITY	.	.
ISSUED	M.M.E.	02/24/94
SOLID MODEL: 52A107893		



REGAL-BELOIT CORPORATION

TITLE: **OUTLINE**

GENERAL PURPOSE MOTOR TENV - BALL BEARING

EXTENDED CLAMP SCREWS FMF - 40 FRAME REDESIGN 5KCP49UN98065

SIZE DRAWING: **52A107893** REV **2**

SCALE: 0.250 REF. No: . SHEET 1 of 1