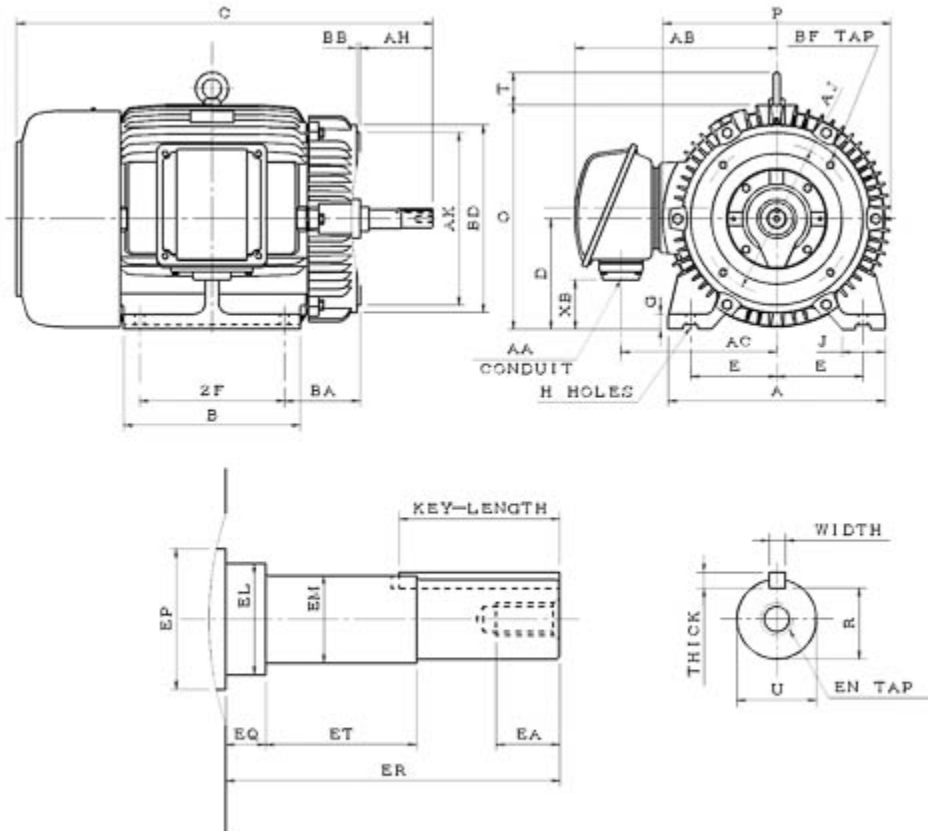


**Dimensional Drawing**

| Catalogue | Model     | HP | Pole | kW | Rating     | Voltage | Hz | RPM  |
|-----------|-----------|----|------|----|------------|---------|----|------|
| CJP05025  | AEHH8N JP | 50 | 2    | 37 | Continuous | 575 V   | 60 | 3600 |



AEHH8N-JP-SMP-7

| Frame Size       | Mounting |      |          |        |                    | A           | B          | C      | CD             | D          |              |
|------------------|----------|------|----------|--------|--------------------|-------------|------------|--------|----------------|------------|--------------|
|                  | E        | 2F   | 2F2      | H      | BA                 |             |            |        |                |            |              |
| 326JP            | 6.25     | 12   |          | 0.66   | 5.5                | 15.75       | 13.78      | 34.545 |                | 8          |              |
| G                | J        | K    | L        | M      | O                  | P           | T          | Key    |                |            | Keyseat      |
| 1.11             | 3.15     |      |          |        | 16.22              | 16.54       | 2.36       | Width  | Thick          | Length     | R            |
|                  |          |      |          |        |                    |             |            | 0.25   | 0.25           | 2.52       | 1.112        |
| Terminal Housing |          |      | Aux Box  |        |                    | C/D Flange  |            |        |                |            |              |
| AA               | AB       | AC   | XB       | AE     | AX                 | BB          | AH         | AK     | BD             | AJ         | BF           |
| 2"               | 14.65    | 11.3 | 3.59     |        |                    | 0.25        | 8.125      | 12.5   | 13.59          | 11         | 4-5/8"-11UNC |
| Shaft Extension  |          |      | Bearings |        | Approx. Weight Lbs | SPL dBA/3ft | Ins. Class | S.F.   | Drive Method   | Dimensions |              |
| N-W              | U        | V    | DE       | NDE    |                    |             |            |        |                |            |              |
|                  | 1.25     |      | 6312C3   | 6212C3 | 708                | 78          | F          | 1.15   | DirectCoupling | Inches     |              |

### Technical Data Sheet

Motor Type: AEHH8N\_JP

Catalogue No: CJP05025

#### Nameplate Information

|           |            |                |             |             |              |                |
|-----------|------------|----------------|-------------|-------------|--------------|----------------|
| HP        | Pole       | RPM            | Frame       | Voltage     | Hz           | Phase          |
| 50        | 2          | 3550           | 326JP       | 575         | 60           | 3              |
| Enclosure | Ins. Class | Service Factor | Time Rating | NEMA Design | Rated Amb.   | Rated Altitude |
| TEFC      | F          | 1.15           | Continuous  | B           | -40 to 40 °C | <3300 ft       |

#### Typical Performance

| Efficiency (%)    |                             |                                 |                                      | Power Factor (%)    |           |                                |
|-------------------|-----------------------------|---------------------------------|--------------------------------------|---------------------|-----------|--------------------------------|
| Full Load         |                             | 3/4 Load                        | 1/2 Load                             | Full Load           | 3/4 Load  | 1/2 Load                       |
| Nom.              | Min.                        |                                 |                                      |                     |           |                                |
| 94.1              | 93.0                        | 94.5                            | 94.5                                 | 91.0                | 90.0      | 86.5                           |
| Torque            |                             |                                 |                                      | Current (A)         |           |                                |
| Full Load (lb-ft) | Locked Rotor (% FLT)        | Pull Up (% FLT)                 | Break Down (% FLT)                   | No Load             | Full Load | Locked Rotor                   |
| 73.95             | 150                         | 130                             | 240                                  | 8.2                 | 43.7      | 290                            |
| NEMA KVA Code     | Inertia (WR <sup>2</sup> )  |                                 |                                      | Safe Stall Time (s) |           | Noise Level Sound Press. dB(A) |
|                   | Rotor (lb-ft <sup>2</sup> ) | NEMA Load (lb-ft <sup>2</sup> ) | Max. Allowable (lb-ft <sup>2</sup> ) | Cold                | Hot       |                                |
| G                 | 4.488                       | 49                              | 83                                   | 17                  | 12        | 78                             |

#### VFD Duty Information

| Speed Range     |                 |                | VFD     |              | S.F.     |
|-----------------|-----------------|----------------|---------|--------------|----------|
| Constant Torque | Variable Torque | Constant Power | Carrier | Type         |          |
| 6-60Hz          | 3-60Hz          | 60-75Hz        | ≤ 5 kHz | VPWM or CPWM | 1.0 Only |

#### Additional Information

| Bearings |        | Approx. Weight |
|----------|--------|----------------|
| DE       | NDE    | lbs            |
| 6312C3   | 6212C3 | 708            |

#### Hazardous Locations Information

| CSA Certified                                                                |          |
|------------------------------------------------------------------------------|----------|
| Class I, Div 2, Groups B, C & D<br>Class I, Zone 2, Groups IIB+H2, IIB & IIA |          |
| Temp Code (Sinewave / VFD)                                                   | T3C / T3 |