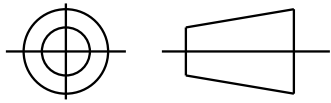


SHEET 3
REV 3
52A109728
SIZE DRAWING NO. A

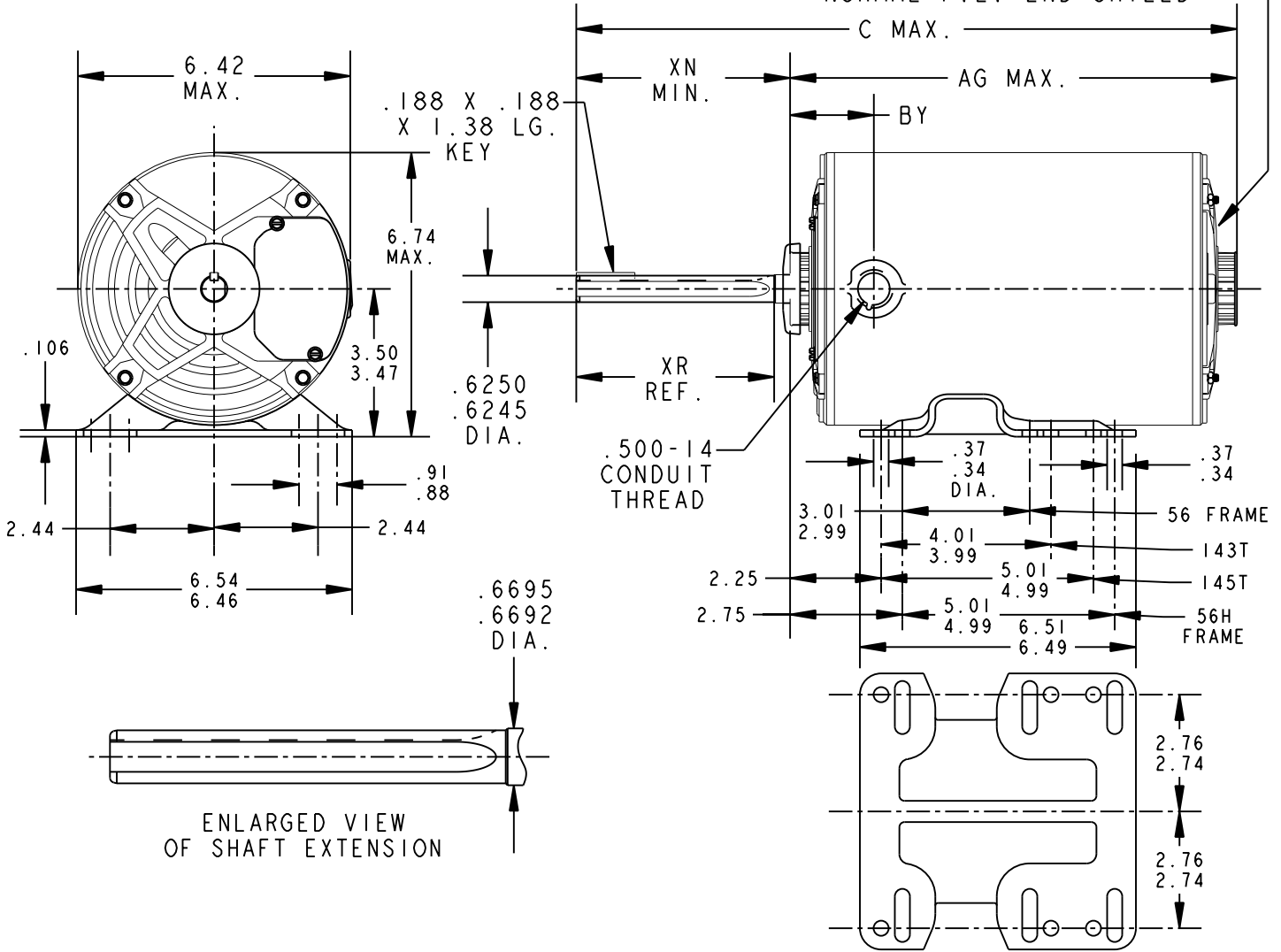
THIRD ANGLE PROJECTION




REVISIONS

REV.	DESCRIPTION	DATE	APPROVED
2	ADDED PART #3.	06/02/97	M.D.PAPE
3	CHG TO RBC FORMAT PER ISO5-1777	03/24/06	SUDHA

NOTE #1
VENTILATION OPENINGS
AROUND ENTIRE FACE OF
NORMAL P.E. END SHIELD



3	K	48	56HZ	3.25	14.02	10.65	NOTE #1	8.43	2.07/1.95	3.00
2	K	48	56Z	6.00	16.77	10.65	NOTE #1	8.43	2.07/1.95	5.74
1	K	49	56Z	6.00	16.02	9.90	NOTE #1	7.68	2.07/1.95	5.74
P	TYPE	GE SIZE	NEMA FR	XN	C	AG	REMARKS	SHELL LG.	BY	XR

SIGNATURES		DATE	REGAL-BELOIT CORPORATION					
MODEL	M.D.PAPE	03/03/95	 <p>REGAL-BELOIT CORPORATION</p> <p>TITLE OUTLINE</p> <p>40 FR. REDESIGN - OUTDOOR CONDENSOR - TENV (SE)</p> <p>DRIP PROOF (PE) - BALL BEARING - WELDED BASE FMF: 5K49RN6118S</p>					
DETAIL	.	.						
CHECKED	.	.						
ENGRG	.	.						
MFG	.	.						
FOR ADDITIONAL INFO REFER TO:			<table border="1"> <tr> <td>SIZE</td> <td>DRAWING</td> </tr> <tr> <td>A</td> <td></td> </tr> </table>		SIZE	DRAWING	A	
SIZE	DRAWING							
A								
APPLIED PRACTICES	QUALITY	.	<table border="1"> <tr> <td>52A109728</td> <td>REV 3</td> </tr> </table>		52A109728	REV 3		
52A109728	REV 3							
DIMENSIONS ARE IN INCHES ✓	ISSUED	M.D.PAPE 03/03/95						
MATERIAL	SOLID MODEL: 52A109728		SCALE: 0.250	REF. No: .	SHEET 1 of 1			