

# Product Information Packet

November 7, 2016

Data shown is for the current revision model #. Ensure your nameplate model # matches.

<b>Model Number:</b>	<b>5KS256ATE205F2RG3</b>
<b>Catalog Number:</b>	<b>E7067</b>
<b>Instruction Manual:</b>	GEI-M1023
<b>Connection Diagram:</b>	GEM2034E-FIG10
<b>Outline Drawing:</b>	358B6216AD

Accessory Connection Diagrams			
<b>Bearing Thermocouple:</b>	None	<b>Heater:</b>	None
<b>RTD:</b>	None	<b>Thermistor:</b>	None
<b>Thermostat:</b>	None	<b>Winding Thermocouple:</b>	None
<b>Bearing RTD:</b>	None		

Table of Contents	
Specification	01
Performance Characteristics	02
Outline Drawing	03
Connection Drawing(s)	04



**Marks:**

<b>MODEL NUMBER:</b>	<b>5KS256ATE205F2RG3</b>	<b>Estimated Weight:</b>	300 Lbs
<b>Outline Drawing:</b>	358B6216AD	<b>Time Rating:</b>	CONT
<b>Connection Diagram:</b>	GEM2034E-FIG10	<b>Enclosure:</b>	DP
<b>Instruction Book:</b>	GEI-M1023	<b>Encl Construction:</b>	OPEN
<b>Design Code:</b>	25AD1006A	<b>Ambient Max(°C):</b>	40
<b>Type:</b>	KS	<b>Alt Ambient Max(°C):</b>	--
<b>Frame:</b>	256T	<b>Insulation Class:</b>	F
<b>Phases:</b>	3	<b>NEMA Design:</b>	A
<b>Poles:</b>	4	<b>Nominal Efficiency:</b>	93 %
<b>Output Power:</b>	20HP 14.8KW	<b>Guaranteed Efficiency:</b>	91.7
<b>RPM:</b>	1765	<b>3/4 Load Efficiency:</b>	93.7
<b>Voltage:</b>	230/460	<b>KVA Code:</b>	G
<b>Hertz:</b>	60	<b>Max KVAR:</b>	6
<b>Amps - FL:</b>	48.2/24.1	<b>Power Factor:</b>	83.5
<b>Service Factor:</b>	1.15	<b>Bearing - DE:</b>	6310ZZ
<b>Alt Service Factor:</b>	--	<b>Bearing - ODE:</b>	6208ZZ

Enclosure is Dripproof

---

**Stamped Nameplate Notes:****Additional Information:**

MADE FROM MODEL 5KS256ATE205F2  
 ADD AEGIS GROUND RING  
 MOD AMSTUTZ 15-NOV-2011

**Performance Characteristics**

1st Winding 1st Connection

**Design: 25AD1006A**

**Marks:**

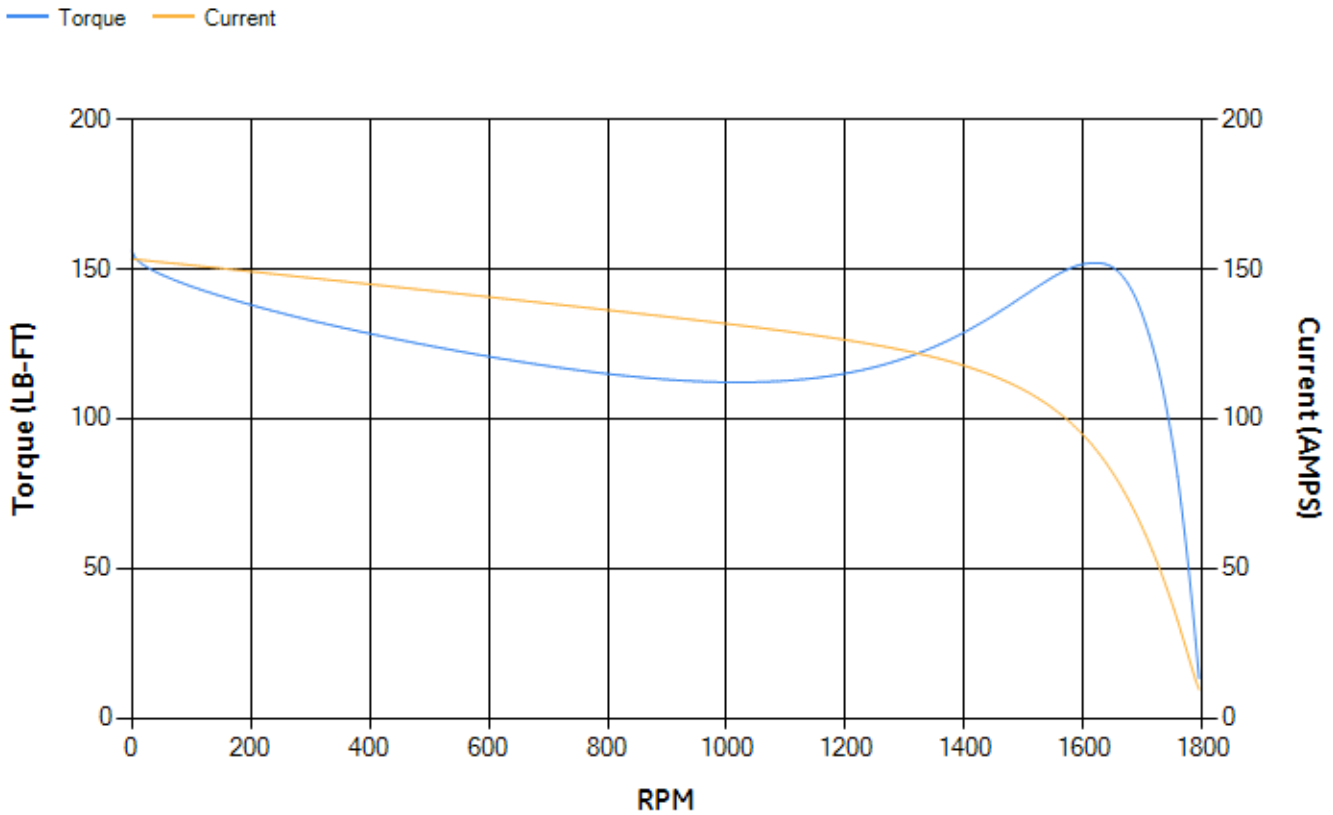
LOAD %	125.0	115.0	100.0	75.0	50.0	25.0	0.0
% EFF	92.12	92.56	93.3	93.65	93.43	90.61	0.00
% PF	85.11	84.99	84.33	81.27	73.24	52.35	5.2
AMPS	29.84	27.36	23.79	18.45	13.68	9.86	7.95

<b>TORQ(FL)#FT</b>	59.42	<b>TORQ(LR)%FL</b>	262.77	<b>TORQ(BD)%FL</b>	254.23
<b>AMPS(LR)</b>	153.33	<b>PF AT START</b>	0.43		

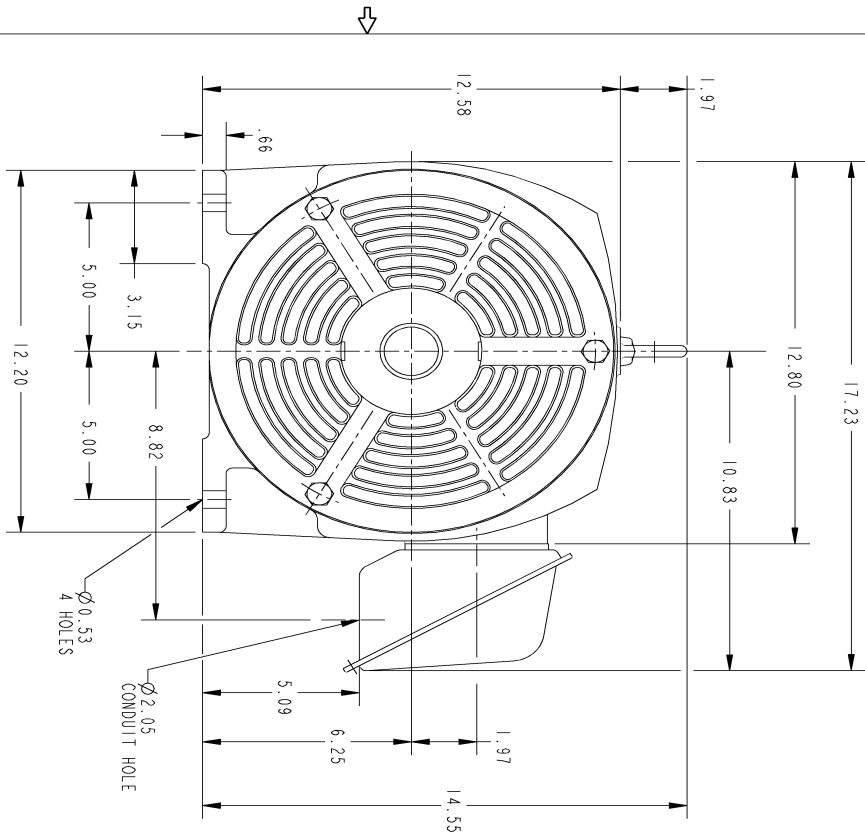
This motor is capable of two cold or one hot start with a maximum connected load inertia of 685 Lb-Ft Sq (28.84 Kg-meter Sq)at 100% voltage, where the load torque varies with the square of the speed. Acceleration time with maximum inertia and the above load type is 37 seconds. Safe stall time at 100% voltage is 63 seconds cold, 56 seconds hot. Rotor inertia is 2.27 Lb-Ft Sq (0.1 Kg-meter Sq).

<b>Open Circuit A-C:</b>	0.432	<b>Short Circuit D-C:</b>	0.018
<b>Short Circuit A-C:</b>	0.019	<b>X/R Ratio:</b>	6.918
<b>Stator Slots:</b>	48	<b>Rotor Slots:</b>	40

**Speed Torque Current Curve (First Connection, First Speed)**

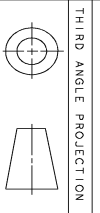


Marks:

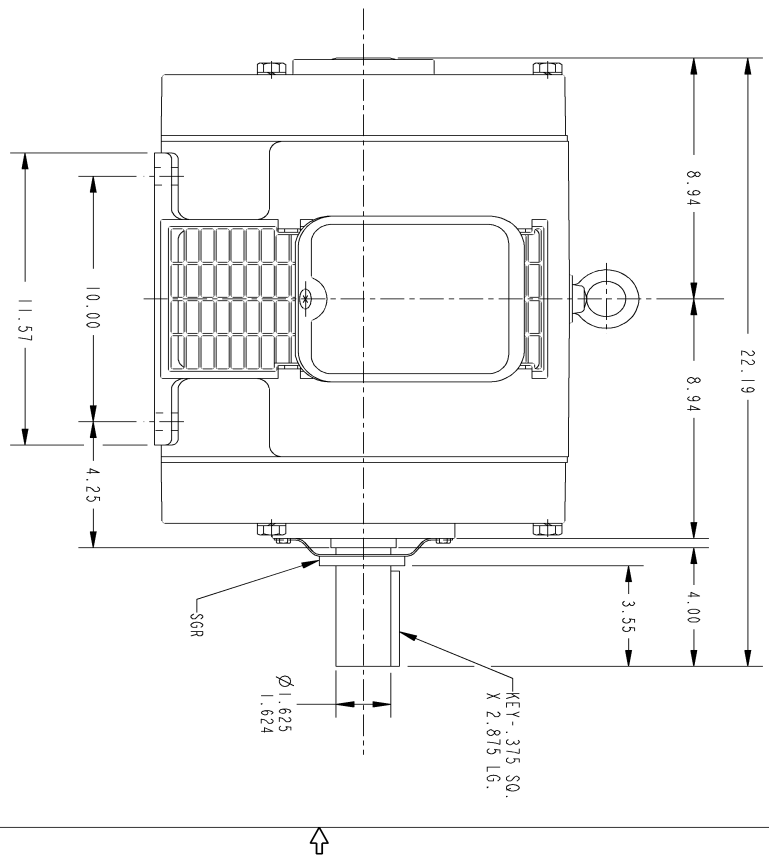


NOTES :

1. CONDUIT BOX MAY BE PLACED WITH THE ENTRANCE DOWN, UP OR ON EITHER SIDE.
2. F-1 ASM AS SHOWN.
3. F-2 ASM - HAS CONDUIT BOX ON OPPOSITE SIDE.



SIZE DRAWING NO. B		REV 0		SHEET 1	
358B6216AD					
REVOLUTIONS					
REV.	DESCRIPTION	DATE	APPROVED		



SIGNATURES		DATE	
MODEL	SHANKAR	07/14/11	
DETAIL	VENKAT J	07/14/11	
CHECKED	VENKAT J	07/14/11	
ENGR	VENKAT J	07/14/11	
ISSUED	SHANKAR	07/14/11	
SOLID MODEL MODEL NAME			
TITLE		GENERAL ELECTRIC COMPANY	
256T - OPEN DRIP PROOF WITH SGR		OUTLINE	
SCALE: DRAWING SCALE	B	SIZE DRAWING	358B6216AD
		REV	0
		SHEET	1 of 1

This document is the property of General Electric Company ("GE") and contains proprietary information of GE. This document is loaned to the express condition that recipient will not disseminate, copy, reproduce, or otherwise use the information contained herein, in whole or in part, for any purpose other than that intended by GE. The information shall be used by the recipient only as approved expressly by GE. This document shall be returned to GE upon its request. Any use, reproduction, or distribution of this document without the express written consent of GE is prohibited. GE reserves the right to modify this document without notice and without obligation.

Marks:

**Connection Diagram**  
**GEM2034E-FIG10**

