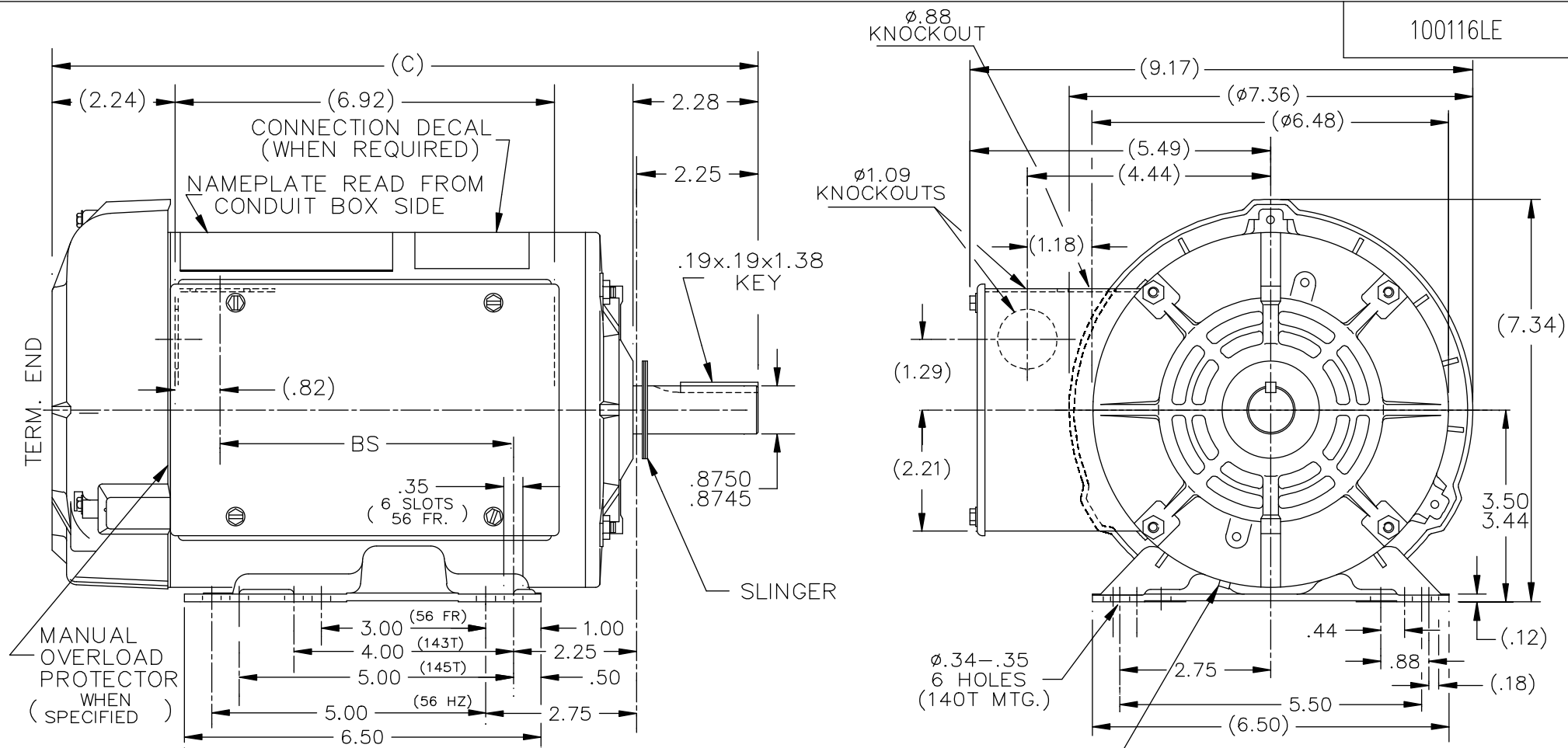


100116LE



DASH	FR.	C	BS	DASH	FR.	C	BS
				806	140T/56HZ	13.37	5.82
				856	"	13.87	6.32
				906	"	14.37	6.82
756	140T/56HZ	12.87	5.32	956	"	14.87	7.32

NO.	REVISION	BY & DATE	CHK	TOLERANCES UNLESS SPECIFIED	
				DEC.	INCHES
07	ADDED DRAIN HOLE NOTE PER ECN#24221	PN 4/26/2012	SVL	.X	±.1
06	ADDED HEIGHT DIMENSION (7.34)	RJW 09-12-2005	ML	.XX	±.03
05	ADDED CONN DECAL CN13879	KJC 03-26-2003	ML	.XXX	±.005
04	REDRAWN ON CADD	RM 08-12-1991		.XXXX	±.0005
			ANG		±7'30"



ELECTRIC MOTORS
GEARMOTORS
AND DRIVES

DRAWN	RM 08-12-1991
CHK	ML 08-12-1991
APPD	GK 08-12-1991
SCALE	1=2.75
REF	
FMF	
PREV	

TITLE OUTLINE
140 FR. 56 HZ - TEFC 1ø - BB
MAT'L.
FINISH

THIS DRAWING IN DESIGN AND DETAIL IS OUR PROPERTY AND MUST NOT BE USED EXCEPT IN CONNECTION WITH OUR WORK ALL RIGHTS OF DESIGN AND INVENTION ARE RESERVED THIS IS AN ELECTRONICALLY GENERATED DOCUMENT - DO NOT SCALE THIS PRINT			RFP	CAD FILE 100116LE	SIZE A	DRAWING NO. 100116LE	PAGE OF	REV. 07
			DIST WP					