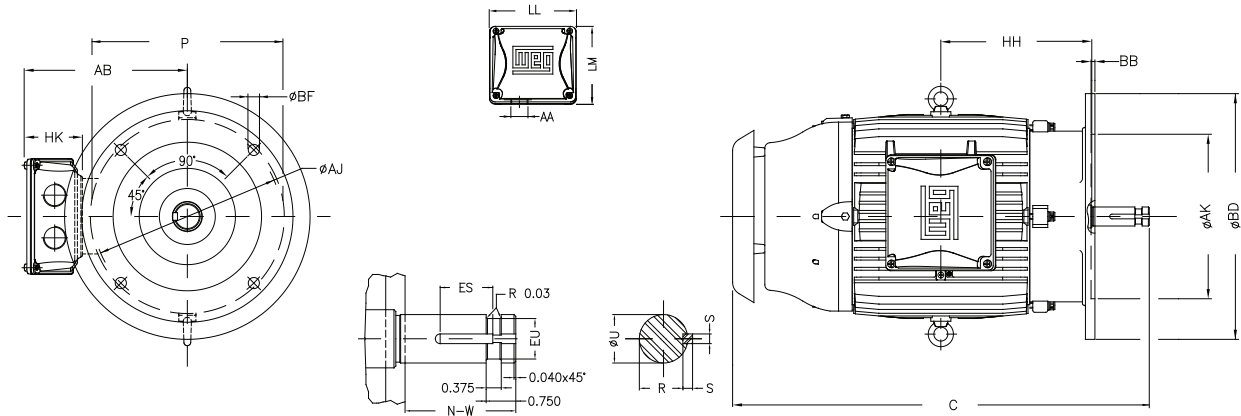


W22 P-Base Motors - NEMA Premium

TEFC - Mechanical Data



NEMA FRAMES	# of Poles	P	AB	AH	U	N-W	ES	EU	S	R	HH	HK	C	LL	LM	AA	Bearing		Flange				
																	D.E.	N.D.E	AJ	AK	BD	BF	BB
143HP	2	7.047	6.260	2.750	0.875	2.874	1.250	0.687	0.187	0.765	4.250	2.638	13.421	4.528	4.094	NPT 3/4"	6307 ZZ	6204 ZZ					
143HP	4/6/8																						
145HP	2																						
145HP	4/6/8	8.740	7.565								5.000	4.750	14.397				6308 ZZ	6206 ZZ					
182HP	2																						
182HP	4/6/8																						
184HP	2	10.630	8.583								5.500	3.150	16.504	5.512	5.236	NPT 1"	6309 ZZ	6207 ZZ	9.125	8.250	10.000	0.433	0.196
184HP	4/6/8																						
213HP	2																						
213HP	4/6/8	12.283	10.483	2.750	1.125	2.953	1.250	0.875	0.250	0.984	7.000	20.126					6311 C3	6209 C3					
215HP	2																						
215HP	4/6/8																						
254HP	2	14.094	11.073								8.376	3.976	23.723	7.815	7.480	NPT 1 1/2"	6312 C3	6211 C3					
254HP	4/6/8																						
256HP	2																						
256HP	4/6/8	15.591	12.575	4.500	1.625	4.764	3.150	1.250	0.375	1.415	9.500	4.705	30.403	9.055	8.661	NPT 2"	6314 C3	6212 C3					
284HP	2																						
284HP	4/6/8																						
284HPH	2	17.794	16.016	2.750	1.125	2.953	1.250	0.875	0.250	0.984	10.250	27.845					6312 C3		14.750	13.500	16.500	0.687	0.250
284HPH	4/6/8																						
286HP	2																						
286HP	4/6/8	19.134									10.500	11.250	31.897				6314 C3						
286HPH	2																						
286HPH	4/6/8																						
324HP	2	23.583	18.570	4.500	1.625	4.764	3.150	1.250	0.375	1.415	10.500	4.705	30.403	9.055	8.661	NPT 2"	6314 C3	6212 C3					
324HP	4/6/8																						
326HP	2																						
326HP	4/6/8	19.134									10.500	11.250	31.897				6314 C3						
364/5HP	2																						
364/5HP	4/6/8																						
404/5HP	2	23.583	18.570	4.500	1.625	4.764	3.150	1.250	0.375	1.415	10.500	4.705	30.403	9.055	8.661	NPT 2"	6314 C3	6212 C3					
404/5HP	4/6/8																						
404/5HPH	2																						
404/5HPH	4/6/8	23.583	18.570	4.500	1.625	4.764	3.150	1.250	0.375	1.415	10.500	4.705	30.403	9.055	8.661	NPT 2"	6314 C3	6212 C3					
444/5HP	2																						
444/5HP	4/6/8																						
444/5HP	2	23.583	18.570	4.500	1.625	4.764	3.150	1.250	0.375	1.415	10.500	4.705	30.403	9.055	8.661	NPT 2"	6314 C3	6212 C3					
444/5HP	4/6/8																						
444/5HP	2																						
444/5HP	4/6/8	23.583	18.570	4.500	1.625	4.764	3.150	1.250	0.375	1.415	10.500	4.705	30.403	9.055	8.661	NPT 2"	6314 C3	6212 C3					
444/5HP	4/6/8																						
444/5HP	2																						
444/5HP	4/6/8	23.583	18.570	4.500	1.625	4.764	3.150	1.250	0.375	1.415	10.500	4.705	30.403	9.055	8.661	NPT 2"	6314 C3	6212 C3					
444/5HP	4/6/8																						
444/5HP	2																						
444/5HP	4/6/8	23.583	18.570	4.500	1.625	4.764	3.150	1.250	0.375	1.415	10.500	4.705	30.403	9.055	8.661	NPT 2"	6314 C3	6212 C3					
444/5HP	4/6/8																						
444/5HP	2																						
444/5HP	4/6/8	23.583	18.570	4.500	1.625	4.764	3.150	1.250	0.375	1.415	10.500	4.705	30.403	9.055	8.661	NPT 2"	6314 C3	6212 C3					
444/5HP	4/6/8																						
444/5HP	2																						
444/5HP	4/6/8	23.583	18.570	4.500	1.625	4.764	3.150	1.250	0.375	1.415	10.500	4.705	30.403	9.055	8.661	NPT 2"	6314 C3	6212 C3					
444/5HP	4/6/8																						
444/5HP	2																						
444/5HP	4/6/8	23.583	18.570	4.500	1.625	4.764	3.150	1.250	0.375	1.415	10.500	4.705	30.403	9.055	8.661	NPT 2"	6314 C3	6212 C3					
444/5HP	4/6/8																						
444/5HP	2																						
444/5HP	4/6/8	23.583	18.570	4.500	1.625	4.764	3.150	1.250	0.375	1.415	10.500	4.705	30.403	9.055	8.661	NPT 2"	6314 C3	6212 C3					
444/5HP	4/6/8																						
444/5HP	2																						
444/5HP	4/6/8	23.583	18.570	4.500	1.625	4.764	3.150	1.250	0.375	1.415	10.500	4.705	30.403	9.055	8.661	NPT 2"	6314 C3	6212 C3					
444/5HP	4/6/8																						
444/5HP	2																						
444/5HP	4/6/8	23.583	18.570	4.500	1.625	4.764	3.150	1.250	0.375	1.415	10.500	4.705	30.403	9.055	8.661	NPT 2"	6314 C3	6212 C3					
444/5HP	4/6/8																						
444/5HP	2																						
444/5HP	4/6/8	23.583	18.570	4.500	1.625	4.764	3.150	1.250	0.375	1.415	10.500	4.705	30.403	9.055	8.661	NPT 2"	6314 C3	6212 C3					
444/5HP	4/6/8																						
444/5HP	2																						
444/5HP	4/6/8	23.583	18.570	4.500	1.625	4.764	3.150	1.250	0.375	1.415	10.500	4.705	30.403	9.055	8.661	NPT 2"	6314 C3	6212 C3					
444/5HP	4/6/8																						
444/5HP	2																						
444/5HP	4/6/8	23.583	18.570	4.500	1.625	4.764	3.150	1.250	0.375	1.415	10.500	4.705	30.403	9.055	8.661	NPT 2"	6314 C3	6212 C3					
444/5HP	4/6/8																						
444/5HP	2																						
444/5HP	4/6/8	23.583	18.570	4.500	1.625	4.764	3.150	1.250	0.375	1.415	10.500	4.705	30.403	9.055	8.661	NPT 2"	6314 C3	6212 C3					
444/5HP	4/6/8																						
444/5HP	2																						
444/5HP	4/6/8	23.583	18.570	4.500	1.625	4.764	3.150	1.250	0.375	1.415	10.500	4.705	30.403	9.055	8.661	NPT 2"	6314 C3	6212 C3					
444/5HP	4/6/8																						
444/5HP	2																						
444/5HP	4/6/8	23.583	18.570	4.500	1.625	4.764	3.150	1.250	0.375	1.415	10.500	4.705	30.403	9.055	8.661	NPT 2"	6314 C3	6212 C3					
444/5HP	4/6/8																						
444/5HP	2																						
444/5HP	4/6/8	23.583	18.570	4.500	1.625	4.764	3.150	1.250	0.375	1.415	10.500	4.705	30.403	9.055	8.661	NPT 2"	6314 C3	6212 C3					
444/5HP	4/6/8																						
444/5HP	2																						
444/5HP	4/6/8	23.583	18.570	4.500	1.625	4.764	3.150	1.250	0.375	1.415	10.500	4.705	30.403	9.055	8.661	NPT 2"	6314 C3	6212 C3					
444/5HP	4/6/8																						
444/5HP	2																						
444/5HP	4/6/8	23.583	18.570	4.500	1.625	4.764	3.150	1.250	0.375	1.415	10.500	4.705	30.403	9.055	8.661	NPT 2"	6314 C3	6212 C3					
444/5HP	4/6/8																						
444/5HP	2																						
444/5HP	4/6/8	23.583	18.570	4.500	1.625	4.764	3.150	1.250	0.375	1.415	10.500	4.705	30.403	9.055	8.661	NPT 2"	6314 C3	6212 C3					
444/5HP	4/6/8																						
444/5HP	2																						
444/5HP	4/6/8	23.583	18.570	4.500	1.625	4.764	3.150	1.250	0.375	1.415	10.500	4.705	30.403	9.055	8.661	NPT 2"	6314 C3	6212 C3					
444/5HP	4/6/8																						
444/5HP	2																						
444/5HP	4/6/8	23.583	18.570	4.500	1.625	4.764	3.150	1.250	0.375	1.415	10.500	4.705	30.403	9.055	8.661	NPT 2"	6314 C3	6212 C3					
444/5HP	4/6/8																						
444/5HP	2																						
444/5HP	4/6/8	23.583	18.570	4.500	1.625	4.764	3.150	1.250	0.375	1.415	10.500	4.705	30.403	9.055	8.661	NPT 2"	6314 C3	6212 C3					
444/5HP	4/6/8																						
444/5HP	2																						
444/5HP	4/6/8	23.583	18.570	4.500	1.625	4.764	3.150	1.250	0.375	1.415	10.500	4.705	30.403	9.055	8.661	NPT 2"	6314 C3	6212 C3					
444/5HP	4/6/8																						
444/5HP	2																						
444/5HP	4/6/8	23.583	18.570	4.500	1.625	4.764	3.150	1.250	0.375	1.415	10.500	4.705	30.403	9.055	8.661	NPT 2"	6314 C3	6212 C3					
444																							