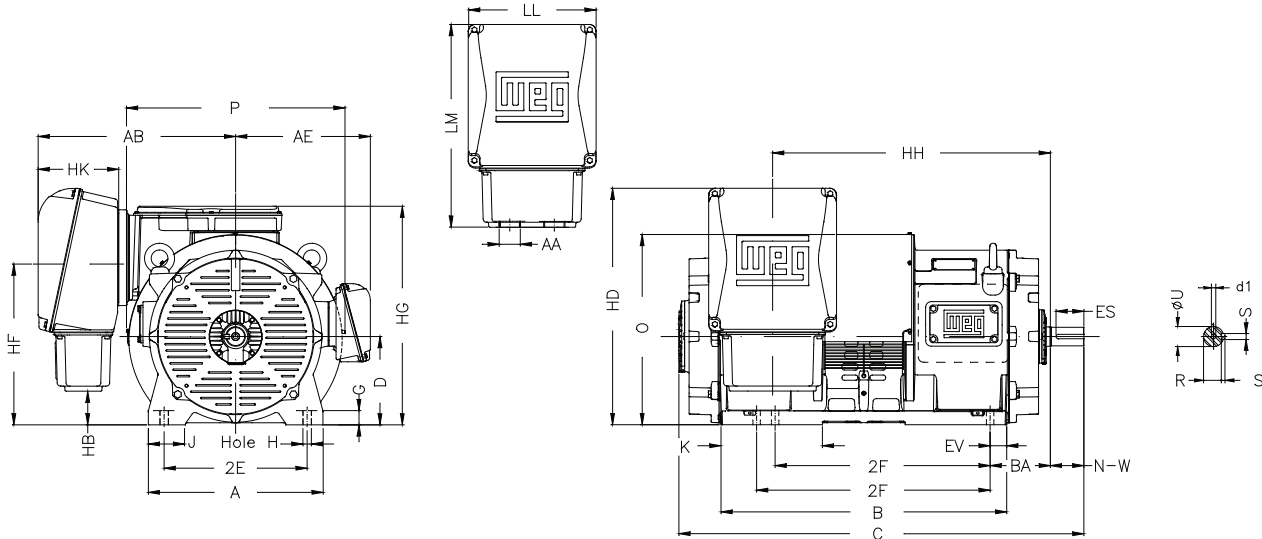


# W40 Medium Voltage Motors

## ODP - Mechanical Data

IP23 Frames 5010/11 to L5810/11

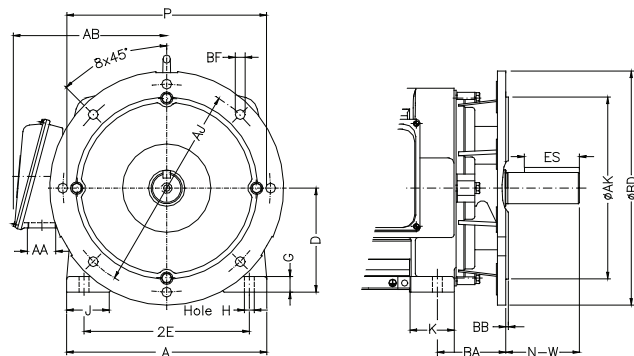


Frame	2E	J	A	AB	AE	P	2F	K	B	BA	U	d1	N-W	ES	S	R
5010/11 - 2P	20.000	5.236	24.724	28.543	18.121	30.670	32.000/36.000	14.200	40.260	8.504	2.625	DUNC 3/4"-10	4.750	3.000	0.625	2.275
5010/11											3.625		10.630	8.861	0.875	3.134
L5010/11 - 2P		5.140	24.803	34.908	19.900	34.095	10.685	42.256	8.500	3.250	DUNC 1"-8	5.750	4.331	0.750	2.831	
L5010/11										4.375		11.625	8.661	1.000	3.817	
L5810/11 - 2P	23.000	6.710	29.530	34.908	21.864	39.976	36.000/40.000	10.810	46.785	10.000	3.375	DUNC 7/8"-9	6.750	5.512	0.875	2.880
L5810/11											5.125		11.625	9.842	1.250	4.423

Frame	D	G	O	LL	LM	HB	HD	HF	HG	HH	HK	Hole H	C	AA	Bearings	
															Drive end	Non-drive end
5010/11 - 2P	12.500	1.972	27.150	18.090	28.700	6.150	34.850	25.042	32.323	39.331	11.410	1.102	57.000	NPT 4"	6314 C3	6314 C3
5010/11							41.510								62.880	
L5010/11 - 2P		1.873	29.527	21.850	32.874	5.510	38.384	21.142	34.754	40.822	18.805	1.181	59.211		6218 C3	
L5010/11							51.145								65.086	6224 C3
L5810/11 - 2P	14.500	34.460			9.085	41.959	24.717	38.570	45.830				65.570	6220 C3		
L5810/11						54.723								70.444	6228 C3	

### FD Flange

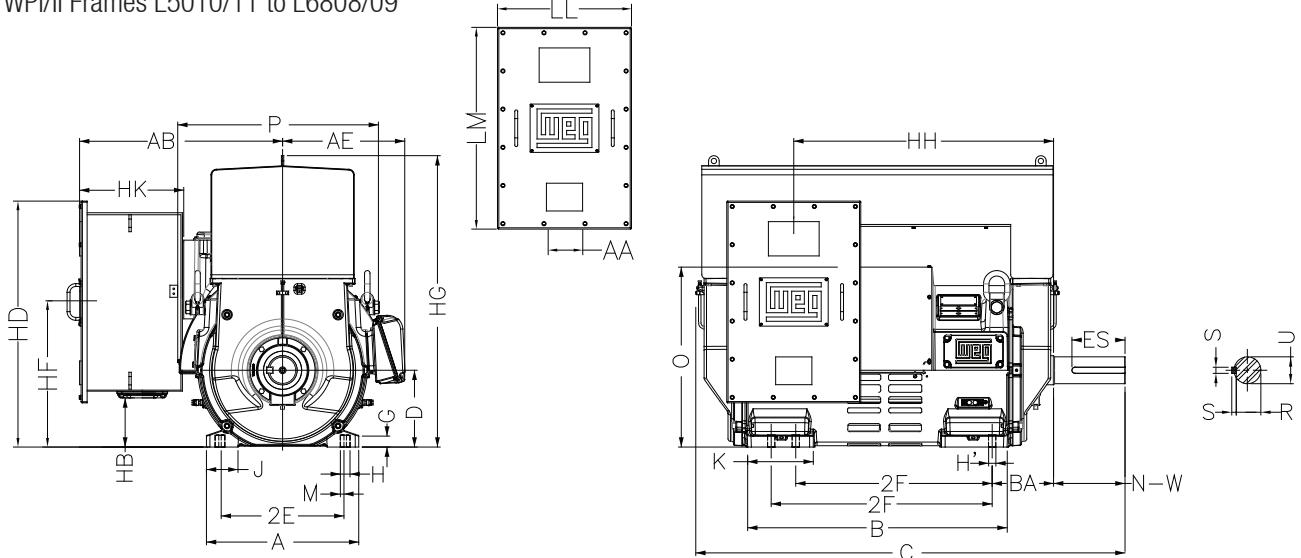
Frame	Flange	AJ	AK	BD	S	T	AH	$\alpha$	N° of holes
5010/11TS	FD-558	22.000	18.000	24.000	0.828	0.250	4.500	45°	8
5010/11T							10.380		
L5010/11TS							5.500		
L5010/11T							11.375		
L5810/11TS	FD-762	30.000	28.000	32.000			6.500		
L5810/11T							11.375		
L6808/09TS	FD-895	35.250	33.250	37.250	1.000		6.500		
L6808/09T							11.375		



# W40 Medium Voltage Motors

## WP-I / WP-II - Mechanical Data

WPI/II Frames L5010/11 to L6808/09



Frame	2E	J	A	AB	AE	P	2F	K	B	BA	U	d1	N-W	ES	S	R
L5010/11 - 2P	20.000	5.140	24.803	34.908	19.900	34.095	32.000/36.000	10.685	42.256	10.000	3.250	DUNC 3/4"-10	5.750	4.331	0.750	2.831
L5010/11											4.375	DUNC 1"-8	11.625	8.661	1.000	3.817
L5810/11 - 2P	23.000	6.710	29.530	34.908	21.864	39.976	36.000/40.000	10.810	47.785	12.500	3.375	DUNC 7/8"-9	6.750	5.512	0.875	2.880
L5810/11											5.125	DUNC 1 1/4"-7	11.625	9.842	1.250	4.423
L6808/09 - 2P	27.000	7.470	33.070	39.041	24.620	48.800	36.000/40.000	10.810	47.785	12.500	3.750	DUNC 7/8"-9	6.750	5.512	0.875	3.261
L6808/09											5.125	DUNC 1 1/4"-7	11.625	9.842	1.250	4.423

Frame	D	G	O	LL	LM	HB	HD	HF	HG	HH	HK	Hole H	C	AA	Bearings	
															Drive end	Non-drive end
L5010/11 - 2P	12.500	1.873	29.527	21.850	32.874	5.510	38.384	21.142	47.436	42.322	18.805	1.181	64.037	NPT 4"	6218 C3	6218 C3
L5010/11															6224 C3	
L5810/11 - 2P	14.500	1.873	34.460	21.850	32.874	9.085	41.959	24.717	51.482	48.326	18.805	1.181	72.537	NPT 4"	6220 C3	6220 C3
L5810/11															6228 C3	
L6808/09 - 2P	17.000	1.973	39.524	21.850	32.874	14.695	47.569	30.327	57.214	48.720	18.805	1.417	72.537	NPT 4"	6220 C3	6220 C3
L6808/09															6228 C3	

### FD Flange

Frame	Flange	AJ	AK	BD	S	T	AH	α	N° of holes
5010/11TS	FD-558	22.000	18.000	24.000	0.828	0.250	4.500	45°	8
5010/11T							10.380		
L5010/11TS	FD-762	30.000	28.000	32.000	0.828	0.250	5.500	45°	8
L5010/11T							11.375		
L5810/11TS	FD-895	35.250	33.250	37.250	1.000	0.250	6.500	45°	8
L5810/11T							11.375		
L6808/09TS	FD-895	35.250	33.250	37.250	1.000	0.250	6.500	45°	8
L6808/09T							11.375		

