

Product Information Packet

May 26, 2017

Data shown is for the current revision model #. Ensure your nameplate model # matches.

Model Number:	5KAF405SAA323A
Catalog Number:	M9334
Instruction Manual:	GEI-56128
Connection Diagram:	GEM2034E-FIG9
Outline Drawing:	239C5400AA

Accessory Connection Diagrams			
Bearing Thermocouple:	None	Heater:	None
RTD:	None	Thermistor:	None
Thermostat:	3027JE-2A	Winding Thermocouple:	None
Bearing RTD:	None		

Table of Contents	
Specification	01
Performance Characteristics	02
Outline Drawing	03
Connection Drawing(s)	04

Marks:

MODEL NUMBER:	5KAF405SAA323A		
Outline Drawing:	239C5400AA	Service Factor:	1.15
Connection Diagram:	GEM2034E-FIG9	Alt Service Factor:	--
Instruction Book:	GEI-56128	ASD Type:	PWM
Design Code:	40BD3058A	Time Rating:	CONT
Type:	KAF	Enclosure:	TEFC
Frame:	405T	Encl Construction:	A\$D
Phases:	3	Ambient Max (°C):	40
Poles:	6	Alt Ambient Max(°C):	--
Output Power:	75HP 55.5KW	Insulation Class:	H
Output Power (2):	75HP 55.5KW	NEMA Design:	-
Output Power (3):		Nominal Efficiency:	94.5 %
RPM:	1782	Guaranteed Efficiency:	93.6 %
RPM (2):	1190	3/4 Load Efficiency:	94.6 %
RPM (3):	-	KVA Code:	H
Voltage:	230/460	Max KVAR:	28.6
Voltage (2):	230/460	Power Factor:	82.0
Voltage (3):	7.0/14.0	Service Factor SINE:	1.15
Hertz:	90	Service Factor ASD:	1
Hertz – 2:	60	Min Supply Wires:	75 C
Hertz – 3:	0.6	IP:	55
Amps – FL:	170.8/85.4	Vibration Limit:	0.04 mm/s
Amps – FL- 2:	181.2/90.6	Bearing Lubrication:	NULL
Amps - FL- 3:	181.2/90.6	Bearing - DE:	6316ZC3
Speed Range RPM:	1-1190	Bearing - ODE:	6316ZC3
Const HP RPM:	1190-1782	Estimated Weight:	1410 Lbs

Enclosure is Totally Enclosed Fan-Cooled**Stamped Nameplate Notes:**

ALTERNATE RATING FOR PWM CONTROL: 1.0SF 40C AMB
 INVERTER DUTY CONSTANT TORQUE RANGE: 0-60HZ
 THERMOSTAT LEADS TB1-TB2 TRIP
 IP 55
 CLASS H INS WITH CLASS F RISE AT 1.00SF,
 INVERTER DUTY PER NEMA MG1 PART 31
 WITH PWM CONTROL

Additional Information:

6P - T EXTN
 C/BOX 700 CU IN - 3.00" NPT
 E/S GROUND BOLT MTD ON DE C/BOX SIDE NEAR FOOT
 OIL RESISTANT SLEEVING ON LEADS
 TACH PROVISION MOTOR

N.C. TRIP TSTAT LDS TO MAIN CONDUIT BOX
F1 MOUNTING
PAINTED ODE ACCESSORY RABBET
SHAFT GROUNDING RING MOUNTED ON DE BRG CAP

Performance Characteristics

1st Winding 1st Connection

Design: 40BD3058A

Marks:

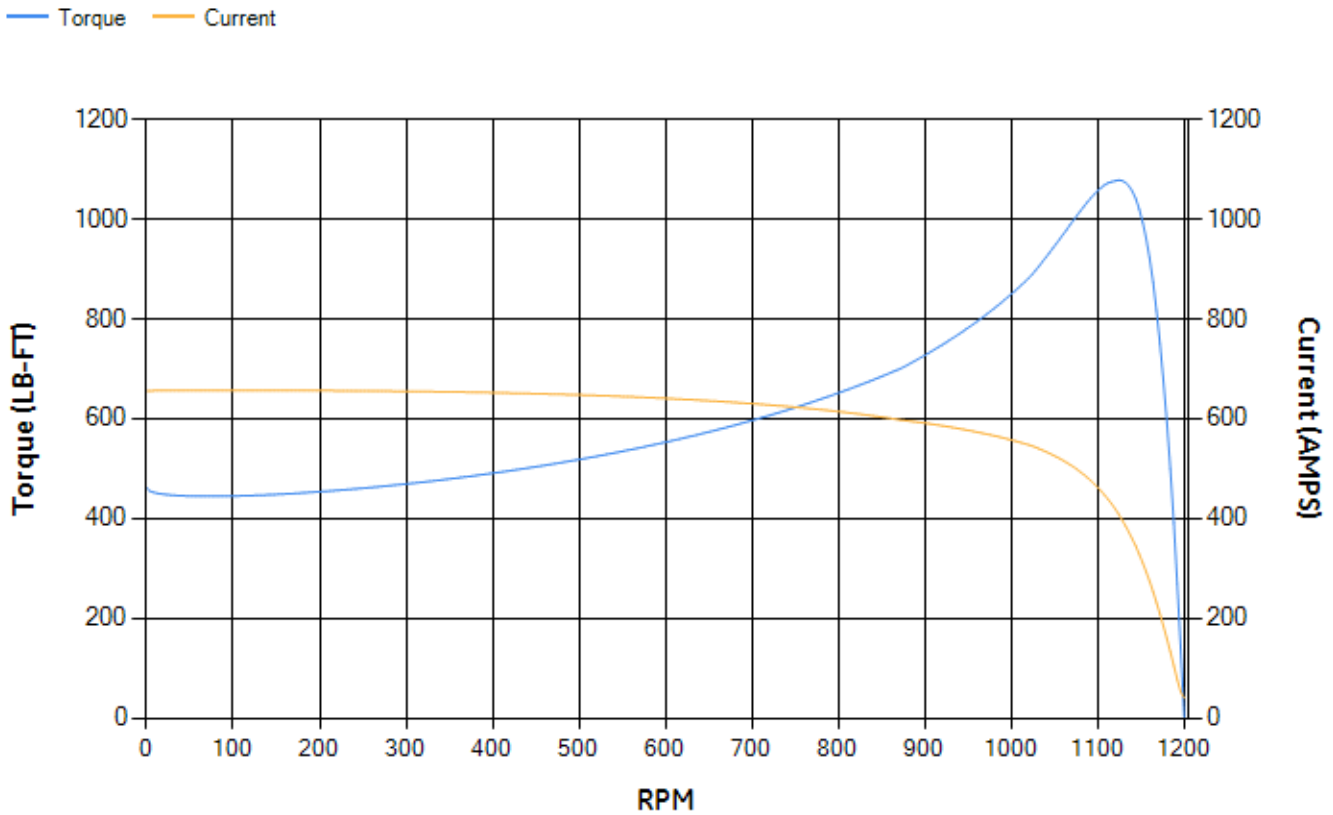
LOAD %	125.0	115.0	100.0	75.0	50.0	25.0	0.0
% EFF	93.83	94.08	94.59	94.63	94.21	91.4	0.00
% PF	84.71	83.88	82.06	76.62	65.43	42.52	3.33
AMPS	110.39	102.29	90.25	72.61	56.94	45.16	39.71

TORQ(FL)#FT	331.14	TORQ(LR)%FL	139.41	TORQ(BD)%FL	324.18
AMPS(LR)	655.96	PF AT START	0.33		

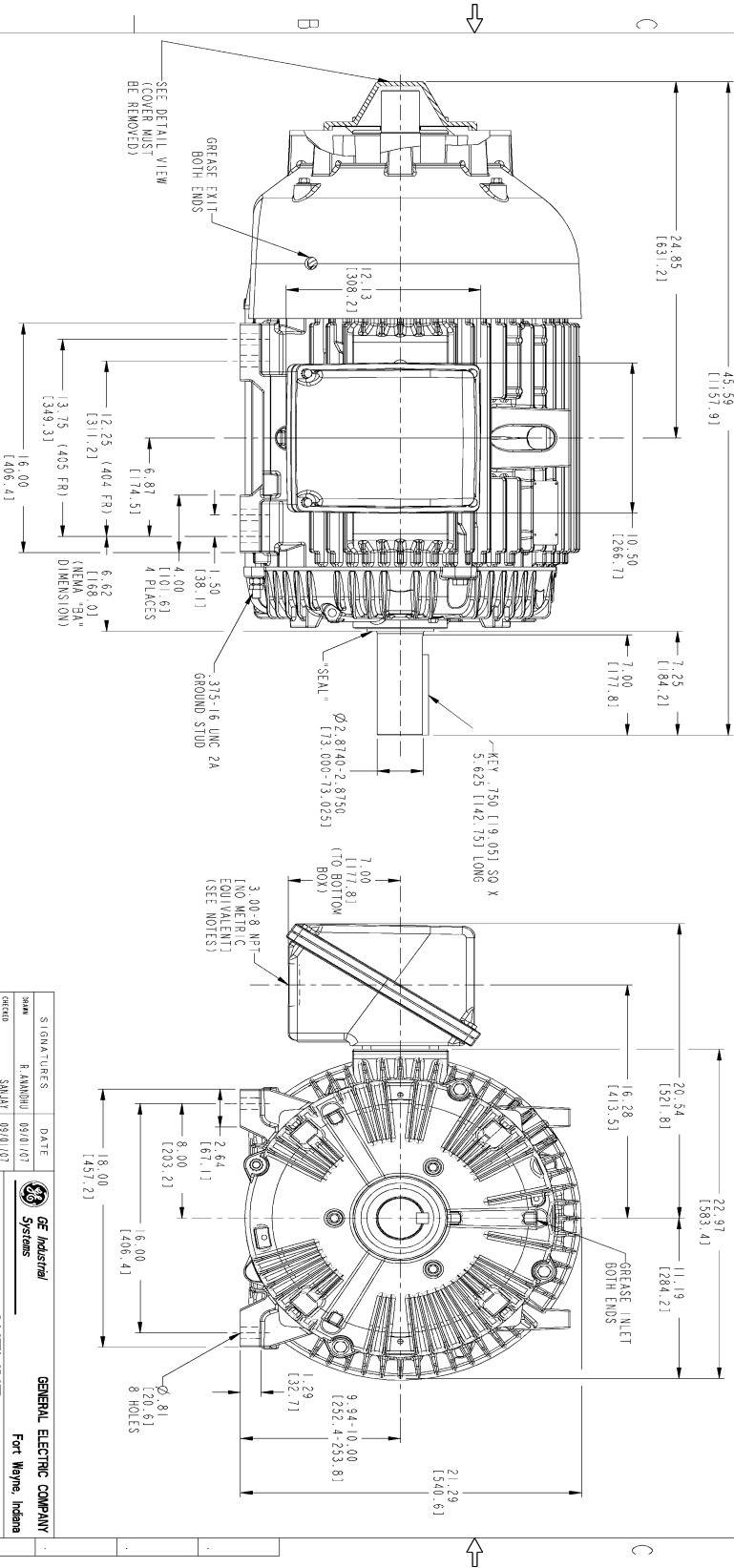
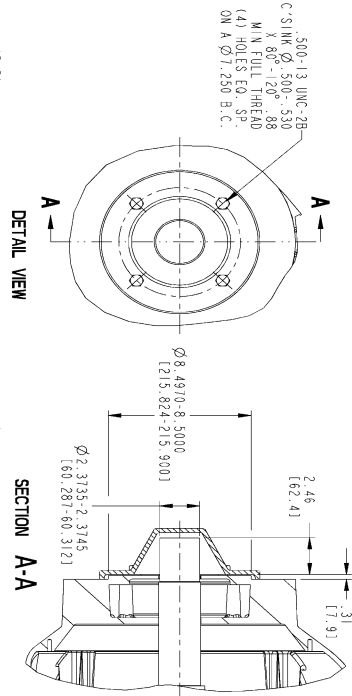
This motor is capable of two cold or one hot start with a maximum connected load inertia of 2980 Lb-Ft Sq (125.46 Kg-meter Sq)at 100% voltage, where the load torque varies with the square of the speed. Acceleration time with maximum inertia and the above load type is 23 seconds. Safe stall time at 100% voltage is 65 seconds cold, 35 seconds hot. Rotor inertia is 28.57 Lb-Ft Sq (1.2 Kg-meter Sq).

Open Circuit A-C:	0.617	Short Circuit D-C:	0.015
Short Circuit A-C:	0.032	X/R Ratio:	5.72
Stator Slots:	72	Rotor Slots:	58

Speed Torque Current Curve (First Connection, First Speed)



Marks:



NOTES:

1. CONDUIT BOX MAY BE PLACED WITH THE ENTRANCE DOWN, UP OR ON EITHER SIDE.
2. F-1 ASSEMBLY AS SHOWN.
3. F-2 ASSEMBLY CONDUIT BOX ON OPPOSITE SIDE.
4. BRACKETED DIMENSIONS ARE METRIC (MILLIMETERS).

REV.	DESCRIPTION	DATE	APPROVED
1	SMC # 12-0122	LAKH KANTH 07/13/2012	NAVATHA

SIGNATURES	DATE	GENERAL ELECTRIC COMPANY
R. ANANDU	09/01/07	Fort Wayne, Indiana
SANJAY	09/01/07	
R. ANANDU	09/01/07	

OUTLINE

404/405 T TEFC ASD

700 CU IN. CBOX, PROV. FOR TACH

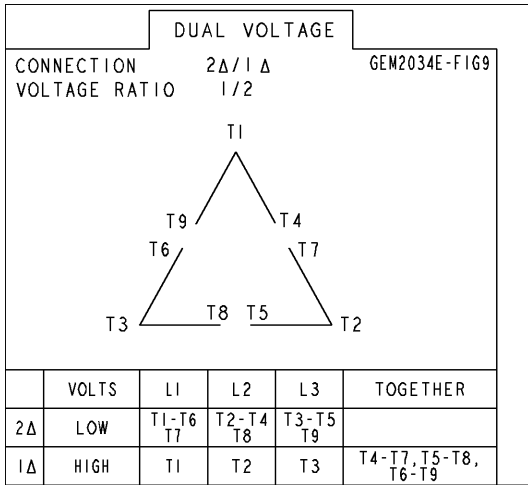
239C5400AA

SCALE: 0.200 REF. NO. SHEET 1 OF 1

DISTRIBUTION: MMP

Marks:

Connection Diagram
GEM2034E-FIG9



Thermostat Connection
3027JE-2A

