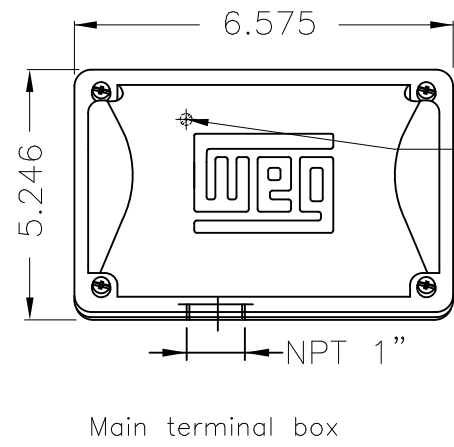
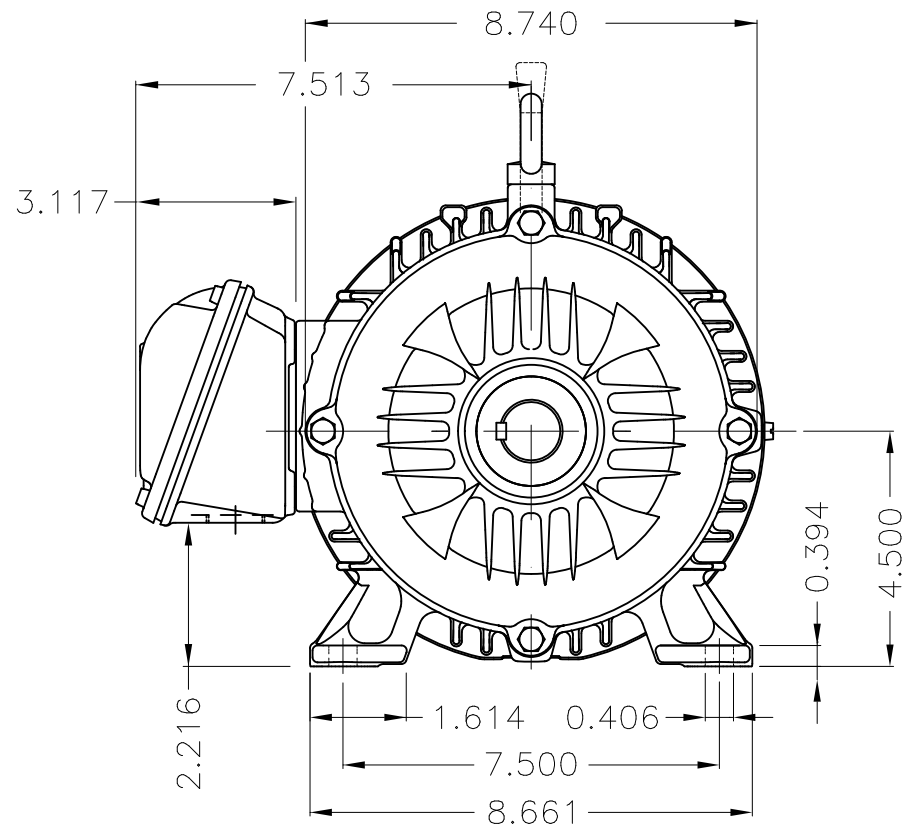


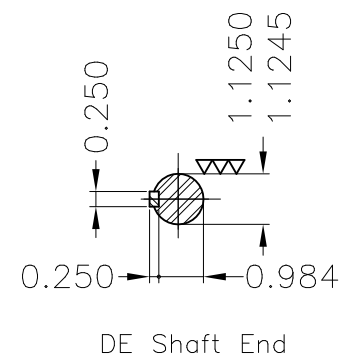
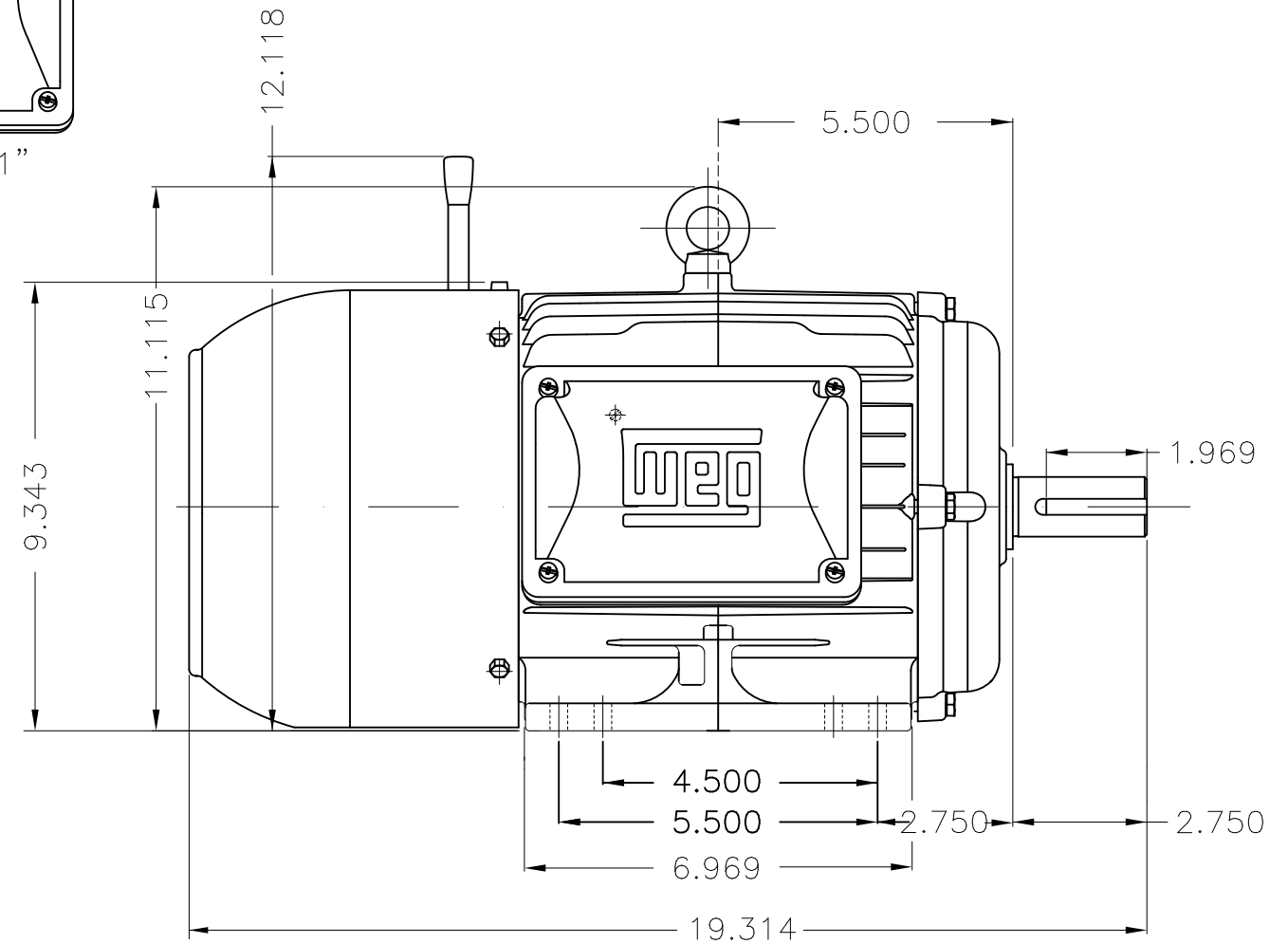
Dimensões em polegada  
Dimensions in inches

THIS IS AN UPDATED REVISION, THE  
PREVIOUS ONE MUST BE DISREGARDED.

A  
B  
C  
D  
E



—Grounding for leads 2–10 mm<sup>2</sup> / 14–7 AWG



Color RAL 5009										
Painting plan 207A										
Mounting B3R(D)										
ECM	LOC	SUMMARY OF MODIFICATIONS			EXECUTED	CHECKED	RELEASED	DATE	VER	
EXECUTED	USERADMIN		W22 THREE PHASE BRAKE MOTOR - NEMA PREMIUM EFF							
CHECKED			FRAME 182/4T IP55 TEFC							
RELEASED			WEG code: 13383436							
REL DT	24.07.2017	WMO	Jaraguá do Sul	Product Engineering	SHEET	1 / 1				



5 HP 04 Poles 60Hz