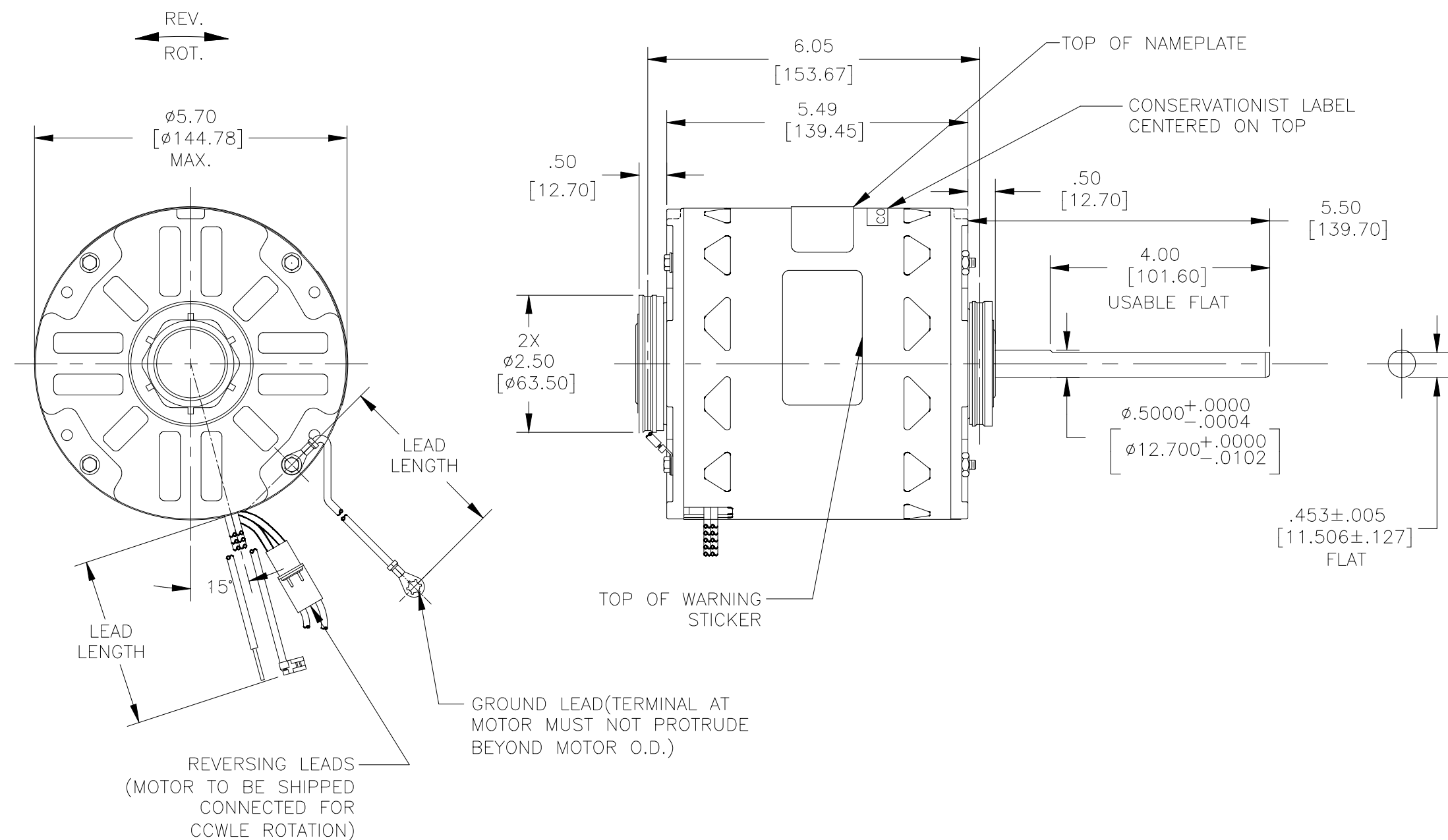


GENERAL INFORMATION:

SHAFT RUNOUT: .001 [.025] T.I.R. PER INCH LENGTH OF EXTENSION
 END PLAY: .010 [.254] TO .063[1.600]
 BEARINGS: SLEEVE
 MOUNTING POSITION: ALL ANGLE

ELECTRICAL DATA:

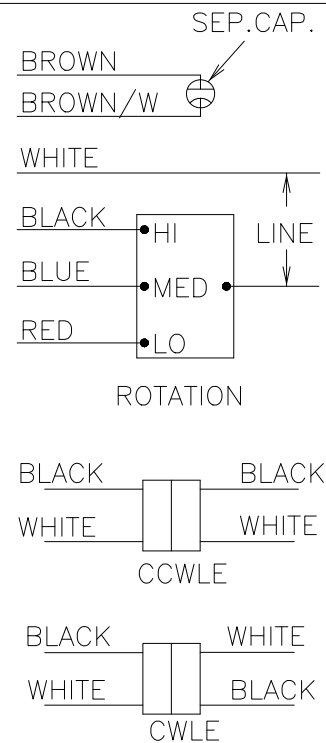
OVERLOAD PROTECTOR: AUTOMATIC RESET (T.I. 7AM 034)
 LEADS: NO. 18 GA., .03 [.76] THK. 125°C INSUL.
 REVERSING LEADS: NO. 18 GA., .03 [.76] THK. 125°C INSUL.
 GROUND LEADS: NO. 18 GA., .03 [.76] THK. (GREEN/YELLOW) INSUL.



NAMEPLATE DATA:

MODEL NO.: F48Y75A01
 CUST. P/N: 9605A
 HP: 3/4, 1/2, 1/3
 ROT.: REVERSIBLE
 RPM: 1075/3 SPD
 TYPE: UF
 FRAME: 48Y
 VOLTS: 277
 PH: 1
 AMPS: 3.9, 2.2, 1.6
 HZ: 60
 INS.: B
 AMB.: 40°C
 DUTY: AIR OVER
 CAP.: 20MFD/370V
 ENCL: OPEN
 UL LOGO
 CSA LOGO
 THERMALLY PROTECTED

EXTERNAL CONNECTION DIAGRAM



614131-351

GRN/YEL(GRD)	14/16 [356/406]	#10 EYELET
BLACK/WHITE	3/5 [76/127]	REVERSING PLUG(MALE)
BLACK/WHITE	3/5 [76/127]	REVERSING PLUG(FEMALE)
BROWN	35/37 [889/940]	.25[6.35] FLAG
BROWN/WHITE	35/37 [889/940]	.25[6.35] FLAG
RED	35/37 [889/940]	.50[12.70] SKIN
BLUE	35/37 [889/940]	.50[12.70] SKIN
BLACK	35/37 [889/940]	.50[12.70] SKIN
WHITE	35/37 [889/940]	.50[12.70] SKIN
COLOR	LENGTH	TERMINAL OR STRIP LENGTH

LEAD DATA

DRAWING REVISION	REVISION BY	DATE
B	GELINE.ZHAO	05-02-2017
ECO	APPROVED BY	DATE
ECO-0122825	DEXIAN.LI	05-02-2017
ECO DESCRIPTION		
SEE ECO		

COPYRIGHT REGAL BELOIT AMERICA, INC. ALL RIGHTS RESERVED. PROPRIETARY AND CONFIDENTIAL INFORMATION - THIS DOCUMENT IS THE PROPERTY OF REGAL BELOIT AMERICA, INC. ("OWNER") AND CONTAINS OWNER'S PROPRIETARY INFORMATION. ANY PERSON, CORPORATION OR OTHER FIRM RECEIVING IT IS DEEMED, BY RECEIVING IT, TO AGREE THAT IT, AND/OR ANY PART OF IT, SHALL NOT BE DISCLOSED TO ANY PERSON, CORPORATION OR OTHER ENTITY, DUPLICATED, AND/OR USED, EXCEPT AS EXPRESSLY APPROVED IN WRITING IN ADVANCE BY OWNER. THIS DOCUMENT SHALL BE RETURNED TO OWNER UPON REQUEST. IT MAY BE SUBJECT TO CERTAIN RESTRICTIONS UNDER APPLICABLE EXPORT CONTROL LAWS AND REGULATIONS.

REGAL-BELOIT CORPORATION (RBC) PROVIDES TECHNICAL ASSISTANCE TO OUR CUSTOMERS IN SEVERAL AREAS. SINCE RBC DOES NOT RECEIVE ALL DATA CONCERNING THE USE AND APPLICATION OF THE MOTOR, THE SUITABILITY OF THE MOTOR FOR THE APPLICATION MUST BE DETERMINED BY THE CUSTOMER.

DIMENSIONS WITHOUT TOLERANCES ARE FOR REFERENCE ONLY.

MAIN FRAME - OLE	OPEN
END FRAME - OLE	OPEN
MAIN FRAME - LE	OPEN
END FRAME - LE	OPEN

CUSTOMER	DISTRIBUTION SERVICES
----------	-----------------------

PERFORMANCE CURVE NO.	TORQUE @ 1075 RPM (25°C)	APPROVED SAMPLE	UL COMPONENT	CSA
C32659A	80.0 OZ. FT.	0603133A	FILE # E46412 PRGY2	FILE # LR43341 GUIDE # 4211-01

DRAWN BY: B.JI	Regal Beloit America, Inc.
DATE: 09-26-2016	
APPROVED BY: C.ZHOU	
DATE: 09-26-2016	
REFERENCE	DESCRIPTION: MODEL-RFHP-48FR OUTLINE
THIRD ANGLE PROJECTION	MATERIAL
SIZE DWG NO: C	9605A
	SHEET 1