

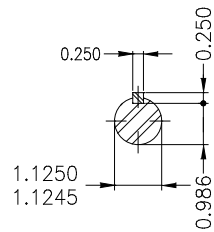
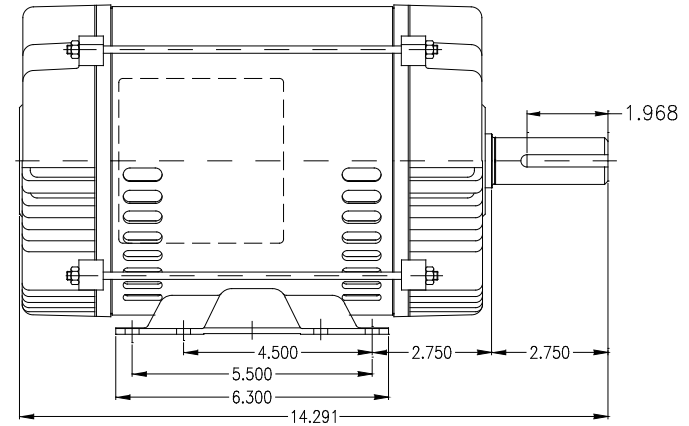
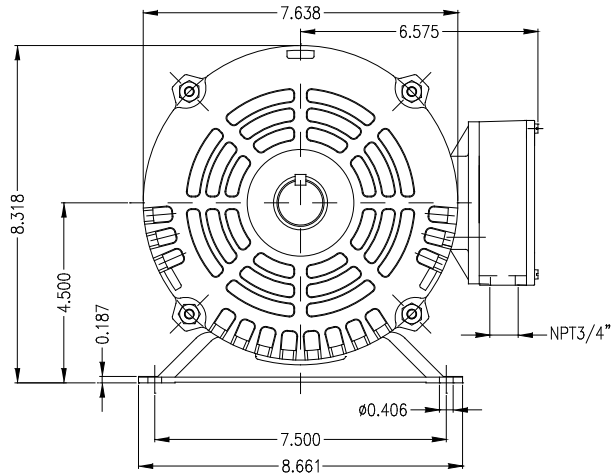
No reproduction of this drawing is allowed without written permission of WEG Motores

EIXO	
PADRAO	X
OPCIONAL	
ESPECIAL	

Dimensões em mm
Dimensions in mm

THIS IS AN UPDATED REVISION, THE PREVIOUS ONE MUST BE DISREGARDED.

A
B
C
D
E
F



Isolamento Classe F (Dt=80K) / Class F insulation - 80K temperature rise					
Fator de serviço 1.0 / Service factor 1.0					
Categoria D / Design D					
Forma construtiva B3E / Mounting B3E					
----	--	Reativado	Roger	Adriana	18.09.07 3
----	----	Desenho importado do Workflow	Roger		2
RLM	LOC	RESUMO DAS MODIFICACOES	EXECUTADO	VERIF./LIBER.	DATA IND
EXECUTADO	Rudiberto				
DATA EXEC.	23.06.03	CLIENTE			
VERIF./LIBER.	Adriana				
DATA LIBER.	18.09.07				
THREE PHASE OIL PUMPING MOTOR FRAME 184T IP 21					
			V4013658		

1.5 HP	6 POLE	60 Hz	X0686.03.12	B
2.0 HP	6 POLE	60 Hz	X0686.03.13	A

LP X