

# Product Information Packet

November 7, 2016

Data shown is for the current revision model #. Ensure your nameplate model # matches.

<b>Model Number:</b>	<b>5KS445ATE308A</b>
<b>Catalog Number:</b>	<b>E7036</b>
<b>Instruction Manual:</b>	GEI-M1023
<b>Connection Diagram:</b>	GEM2034E-FIG8
<b>Outline Drawing:</b>	358B6204AC

Accessory Connection Diagrams			
<b>Bearing Thermocouple:</b>	None	<b>Heater:</b>	None
<b>RTD:</b>	None	<b>Thermistor:</b>	None
<b>Thermostat:</b>	None	<b>Winding Thermocouple:</b>	None
<b>Bearing RTD:</b>	None		

Table of Contents	
Specification	01
Performance Characteristics	02
Outline Drawing	03
Connection Drawing(s)	04

**Marks:**

<b>MODEL NUMBER:</b>	<b>5KS445ATE308A</b>	<b>Estimated Weight:</b>	1650 Lbs
<b>Outline Drawing:</b>	358B6204AC	<b>Time Rating:</b>	CONT
<b>Connection Diagram:</b>	GEM2034E-FIG8	<b>Enclosure:</b>	DP
<b>Instruction Book:</b>	GEI-M1023	<b>Encl Construction:</b>	OPEN
<b>Design Code:</b>	44AD3002A	<b>Ambient Max(°C):</b>	40
<b>Type:</b>	KS	<b>Alt Ambient Max(°C):</b>	--
<b>Frame:</b>	445T	<b>Insulation Class:</b>	F
<b>Phases:</b>	3	<b>NEMA Design:</b>	B
<b>Poles:</b>	6	<b>Nominal Efficiency:</b>	95 %
<b>Output Power:</b>	125HP 92.5KW	<b>Guaranteed Efficiency:</b>	94.1
<b>RPM:</b>	1190	<b>3/4 Load Efficiency:</b>	95.6
<b>Voltage:</b>	460	<b>KVA Code:</b>	G
<b>Hertz:</b>	60	<b>Max KVAR:</b>	34.9
<b>Amps - FL:</b>	147	<b>Power Factor:</b>	82
<b>Service Factor:</b>	1.15	<b>Bearing - DE:</b>	6318
<b>Alt Service Factor:</b>	--	<b>Bearing - ODE:</b>	6318

Enclosure is Dripproof

---

**Stamped Nameplate Notes:****Additional Information:**

6 POLE DP  
 LRA AT 460 VOLTS: 900.9 AMPS  
 NO. OF MOTOR LEADS: 6  
 CONDUIT BOX VOLUME (IN<sup>3</sup>): 1240  
 CONDUIT BOX MTL: STAMPED STEEL  
 GREASE TYPE: CHEVRON SRI-2 POLYUREA GREASE  
 NOT USABLE AT 200 VOLTS  
 50 HZ DATA: 100 HP , 400V, 141 AMPS AT 1.0SF, 990 RPM  
 SOUND POWER: 79.7  
 DMK, 06/04, DATA UPDATE 2/2005  
 INVERTER DUTY PER NEMA MG1 PART 31  
 FOR VARIABLE TORQUE LOADS

**Performance Characteristics**

1st Winding 1st Connection

**Design: 44AD3002A**

**Marks:**

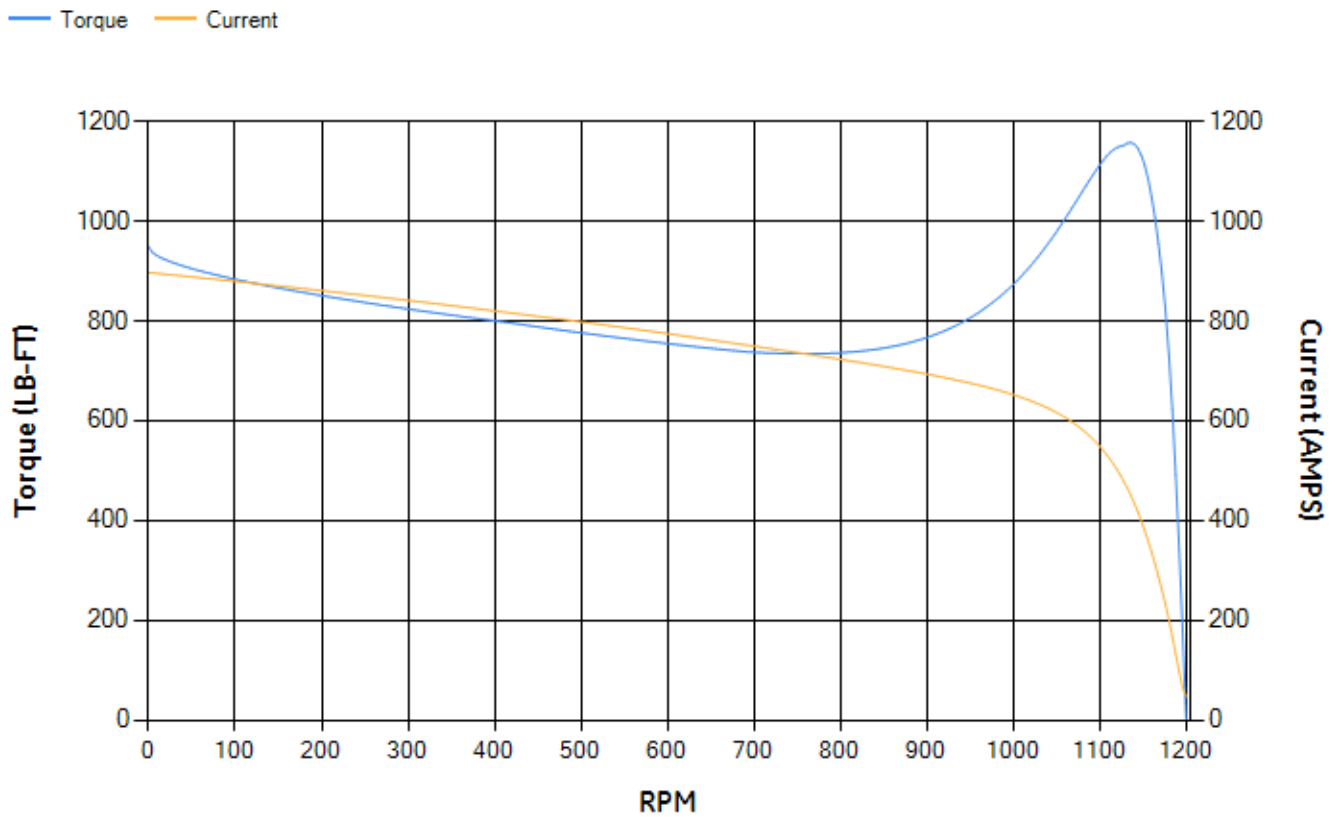
LOAD %	125.0	115.0	100.0	75.0	50.0	25.0	0.0
% EFF	94.56	94.87	95.45	95.64	95.48	93.51	0.00
% PF	84.12	84.3	84.06	81.69	74.45	53.84	3.7
AMPS	183.85	168.22	145.82	112.3	82.29	58.09	46.28

<b>TORQ(FL)#FT</b>	552.92	<b>TORQ(LR)%FL</b>	171.57	<b>TORQ(BD)%FL</b>	207.63
<b>AMPS(LR)</b>	896.78	<b>PF AT START</b>	0.32		

This motor is capable of two cold or one hot start with a maximum connected load inertia of 8225 Lb-Ft Sq (346.27 Kg-meter Sq)at 100% voltage, where the load torque varies with the square of the speed. Acceleration time with maximum inertia and the above load type is 50 seconds. Safe stall time at 100% voltage is 85 seconds cold, 63 seconds hot. Rotor inertia is 64.51 Lb-Ft Sq (2.72 Kg-meter Sq).

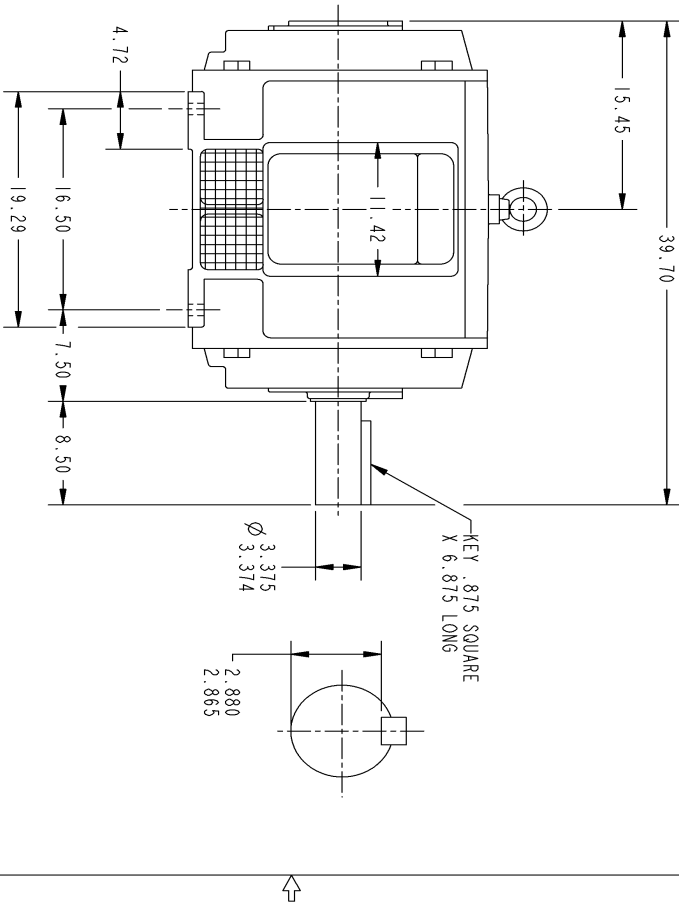
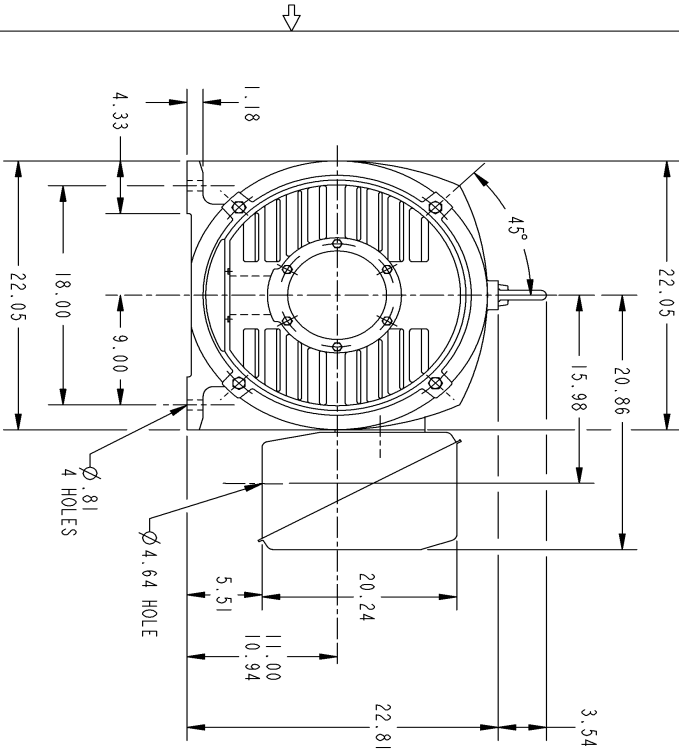
<b>Open Circuit A-C:</b>	0.765	<b>Short Circuit D-C:</b>	0.029
<b>Short Circuit A-C:</b>	0.039	<b>X/R Ratio:</b>	11.097
<b>Stator Slots:</b>	72	<b>Rotor Slots:</b>	58

**Speed Torque Current Curve (First Connection, First Speed)**

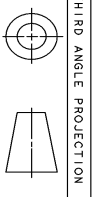


NAME:500903578 OBJECT:358B6204AC DATE:04-May-07 11:21:59

Marks:



- NOTES :
1. CONDUIT BOX MAY BE PLACED WITH THE ENTRANCE DOWN, UP OR ON EITHER SIDE.
  2. F-1 ASM AS SHOWN.
  3. F-2 ASM - HAS CONDUIT BOX ON OPPOSITE SIDE.



THIRD ANGLE PROJECTION

GE PROPRIETARY AND CONFIDENTIAL INFORMATION  
 This document is the property of General Electric Company (GE) and contains proprietary information of GE. This document is loaned to the recipient for their use only. It is not to be distributed, copied, or reproduced in any form without the prior written consent of GE. This document shall be returned to GE upon its request. This document is not to be used for any other purpose without the prior written consent of GE. GE reserves the right to change specifications and designs without notice.

358B6204AC

REV 1

REVISIONS

REV.	DESCRIPTION	DATE	APPROVED
1	ISAAC 07-0770	05/02/07	R. KOHNE

APPLIED DIMENSIONS ARE IN INCHES	MODEL	SIGNATURES	DATE
1 PL DECIMALS ±	AMMD		12/12/02
2 PL DECIMALS ±	SIDHAKAR		12/12/02
3 PL DECIMALS ±	ENG	GANNON RAMP	12/12/02
FRACTIONS ±	ISSUED		
FINISH	QUALITY	SIDHAKAR	12/13/02
MATERIAL	SOLID MODEL MODEL NAME		

		GENERAL ELECTRIC COMPANY	
TITLE <b>445T - CAST IRON ODP FOOTED OUTLINE</b>			
SCALE: DRAWING SCALE	SIZE: DRAWING	REV	SHEET 1 of 1
B	B	1	1

Marks:

**Connection Diagram**  
**GEM2034E-FIG8**

