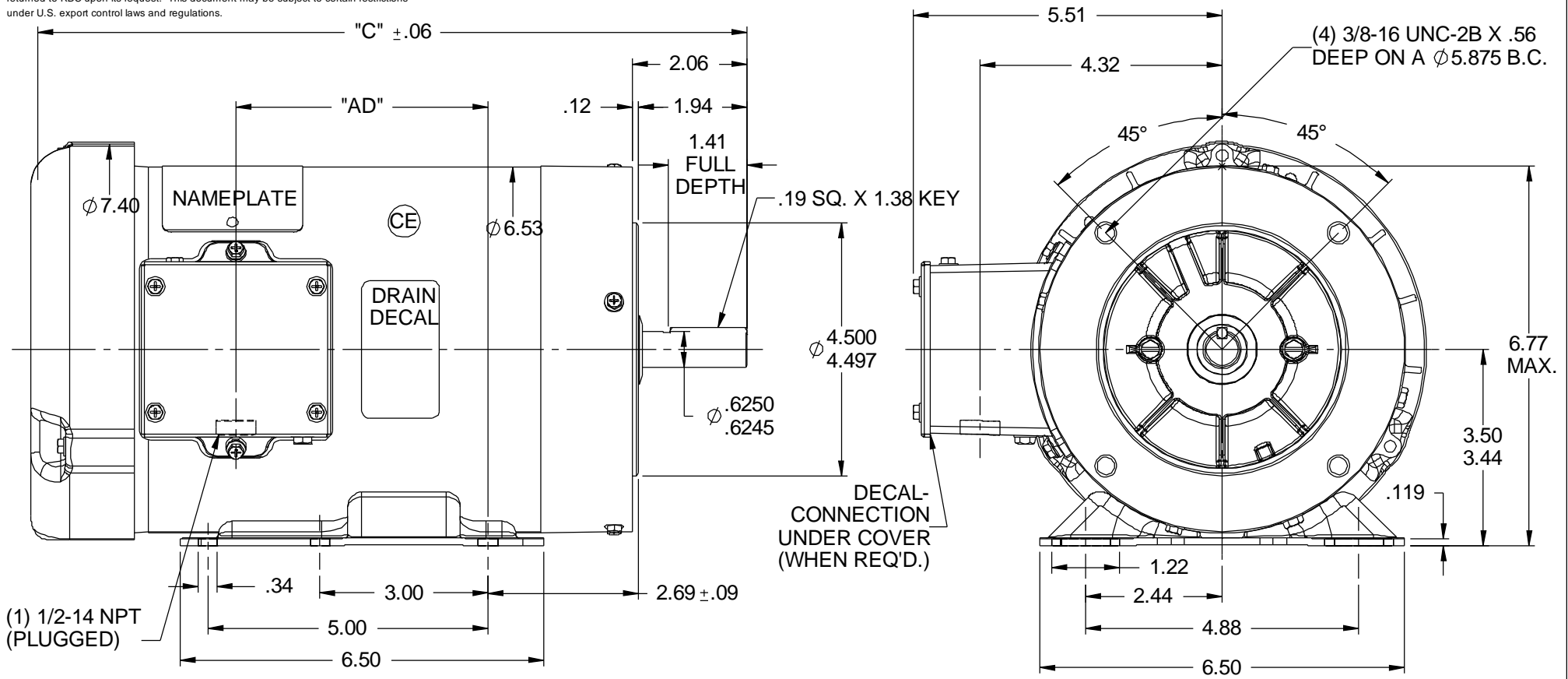


RBC PROPRIETARY AND CONFIDENTIAL INFORMATION

This document is the property of REGAL BELOIT CORPORATION ("RBC") including its subsidiaries and divisions and contains proprietary information of RBC. This document is loaned on the express condition that neither it nor the information contained therein shall be disclosed to others without the express written consent of RBC, and that the information shall be used by the recipient only as approved expressly by RBC. This document shall be returned to RBC upon its request. This document may be subject to certain restrictions under U.S. export control laws and regulations.



(1) 1/2-14 NPT (PLUGGED)

DASH NO	"C"	"AD"
650	12.16	3.94
700	12.66	4.44
750	13.16	4.94
800	13.66	5.44

MAXIMUM FACE RUNOUT .004 T.I.R.
 MAXIMUM PILOT ECCENTRICITY .004 T.I.R.
 PERMISSIBLE SHAFT RUNOUT .002 T.I.R.

WASHGUARD FEATURES

- 1) SHAFT SEALS & V-RING
- 2) DRAIN HOLES IN BOTH ENDBELLS & CONDUIT BOX
- 3) GASKETS THROUGHOUT
- 4) STAINLESS STEEL SHAFT, HARDWARE, & NAMEPLATE

		TOLERANCES UNLESS SPECIFIED		MARATHON ELECTRIC	DRAWN LST 6/25/08	
		DEC	INCHES		CHK	APPR
		.X	±.1	TITLE OUTLINE 56HC FRAME TEFC RIGID "C"	SCALE 3:8	
		.XX	±.03		REF	
		.XXX	±.005		MAT'L	FMF
		.XXXX	±.0005		FINISH WASHGUARD	PAGE OF
01	ADDED ITEM #650 (56T34W15505)	VS	3/4/09	PREV	SIZE A	DRAWING NO 028839
NO	REVISION	BY & DATE	CHK ANG ±1/2°			REV 01

