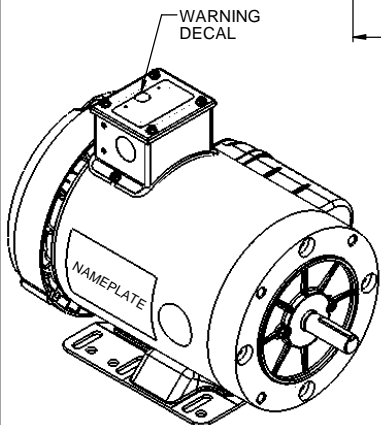
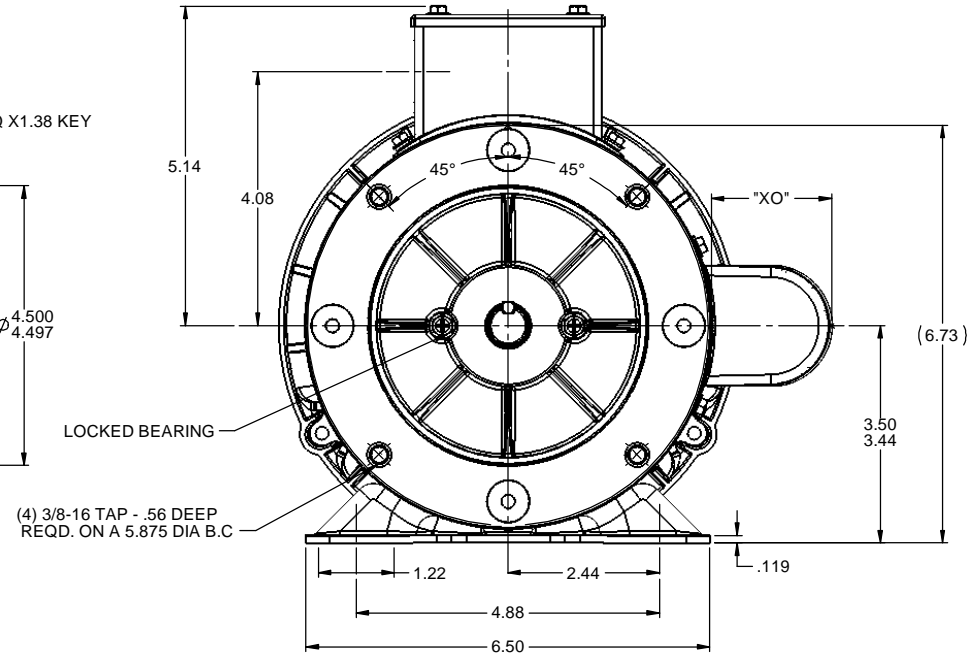
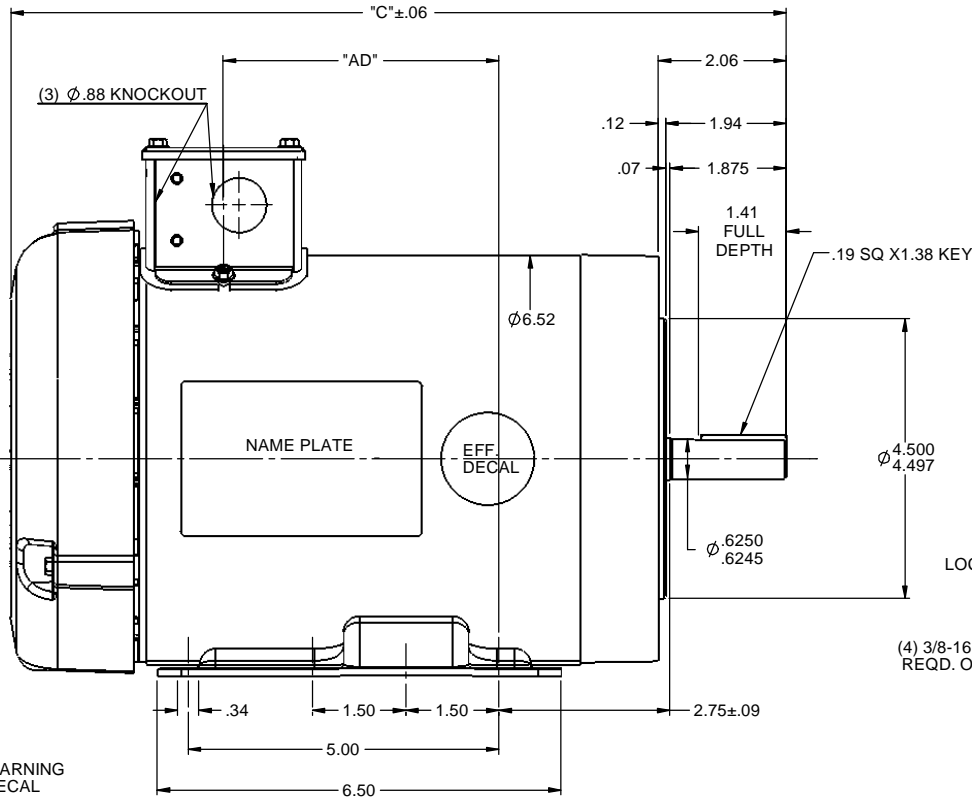


RBC PROPRIETARY AND CONFIDENTIAL INFORMATION
 This document is the property of REGAL BELOIT CORPORATION ("RBC") including its subsidiaries and divisions and contains proprietary information of RBC. This document is loaned on the express condition that neither it nor the information contained therein shall be disclosed to others without the express written consent of RBC, and that the information shall be used by the recipient only as approved expressly by RBC. This document shall be returned to RBC upon its request. This document may be subject to certain restrictions under U.S. export control laws and regulations.



MAXIMUM FACE RUNOUT TO BE .004 T.I.R
 MAXIMUM PILOT ECCENTRICITY .004 T.I.R
 PERMISSIBLE SHAFT RUNOUT .002 T.I.R

DASH NO.	"C"	"AD"	CAP DASH	"XO"
700	12.48	4.44	A	1.61
750	12.98	4.94	B	2.08
800	13.48	5.44	C	2.32
850	13.98	5.94		
900	14.48	6.44		

NOTE:
 1) GASKETS THROUGHOUT

TOLERANCES UNLESS SPECIFIED		LEESON ELECTRIC MOTORS GEARMOTORS AND DRIVES	DRAWN JD 11/04/2011
DEC	INCHES		CHK VS 11/04/2011
X	±.1	TITLE OUTLINE - 56C FRAME T.E.F.C MATL GENERAL PURPOSE	APPR
XX	±.03		SCALE 1:2
XXX	±.005		REF 607-0026
XXXX	±.0005		FMF 117703.00
NO	REVISION	FINISH	PAGE OF
BY & DATE	CHK	ANG ±1/2°	
THIRD ANGLE PROJECTION		PREV	SIZE DRAWING NO
NETWORK FILE NAME		607-0027	B 607-0027
		REV	