

DATE  
NOV. 23, 2010

CAT. #: NP0022

# OUTLINE DIMENSIONS

## 3-PHASE INDUCTION MOTOR

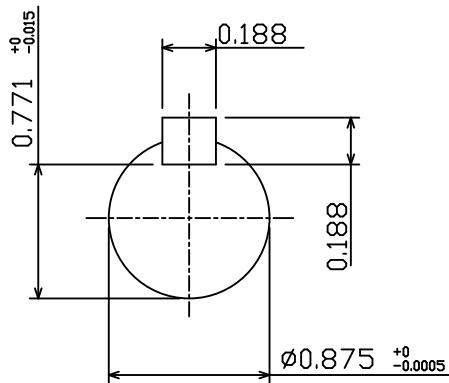
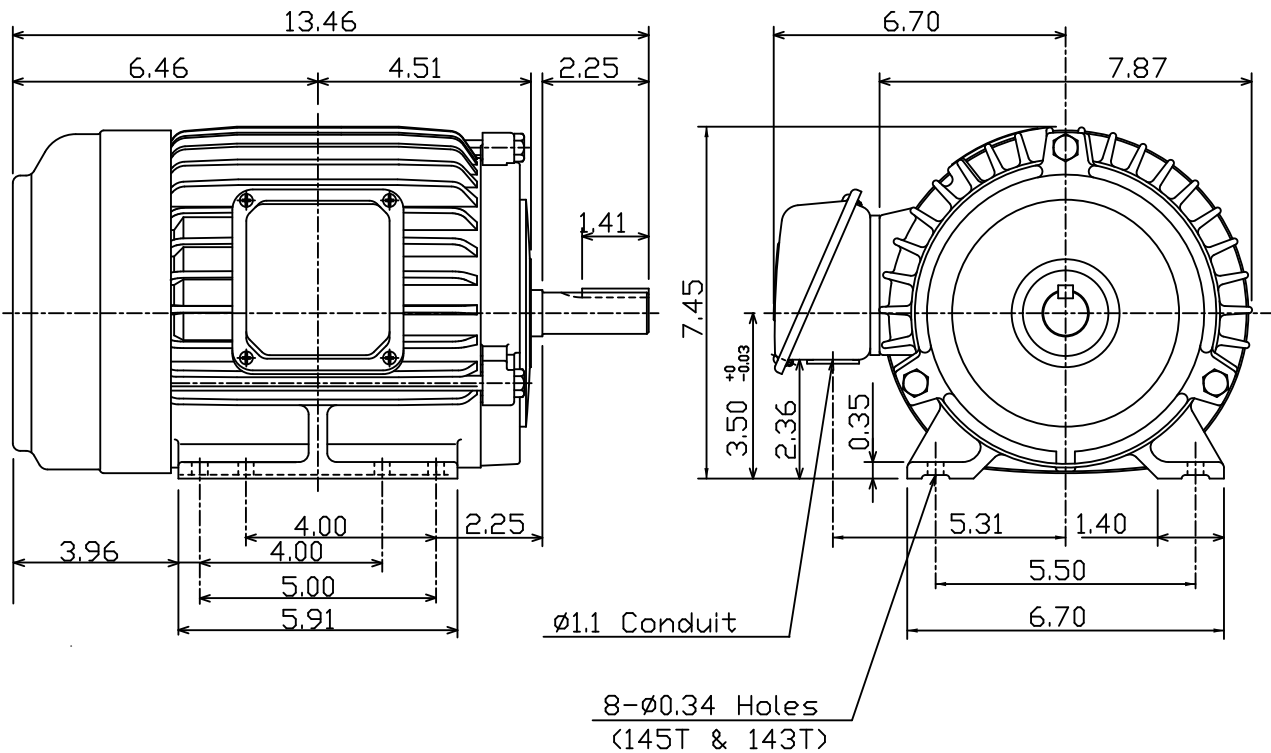
MOTOR TYPE:  
AEHH8P

FRAME NO. 145T

Pole	HP	kW	Hz	VOLT	Syn. Speed r/min(rpm)
2	2	1.49	60	230/460	3600

Ins	Rating	Dimension in	Approx Weight	Bearings
F	CONT.	inch	53 lbs.	DE: 6205ZZ NDE: 6205ZZ

Totally Enclosed Fan-Cooled Type. Squirrel-Cage Rotor.



DWN.	J.H.LIANG	05-20-99
CHKD.	C.S.LO	05-26-99
APPD.	Y.B.HUANG	05-26-99

**TECO** **Westinghouse**

DWG NO.  
31049D188170