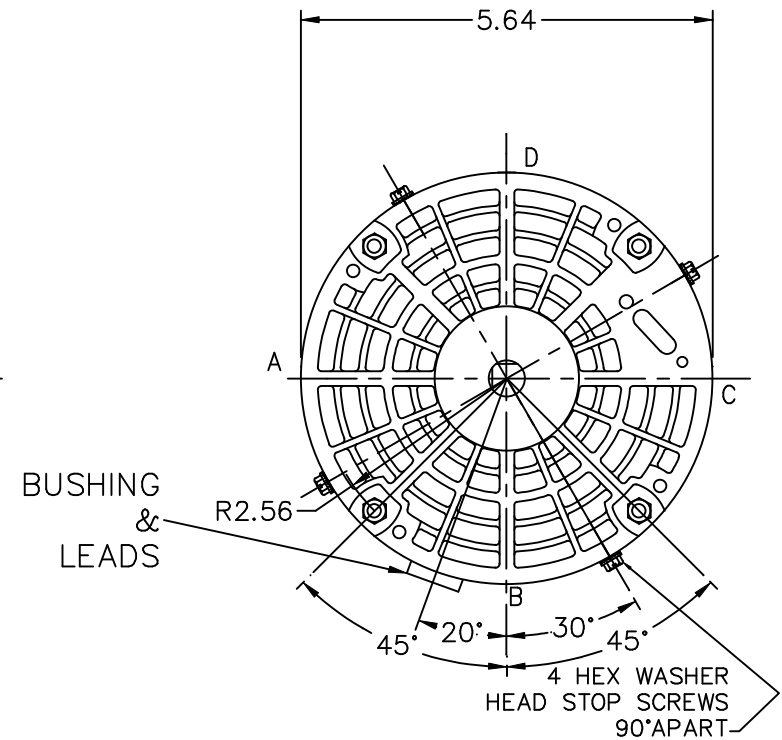
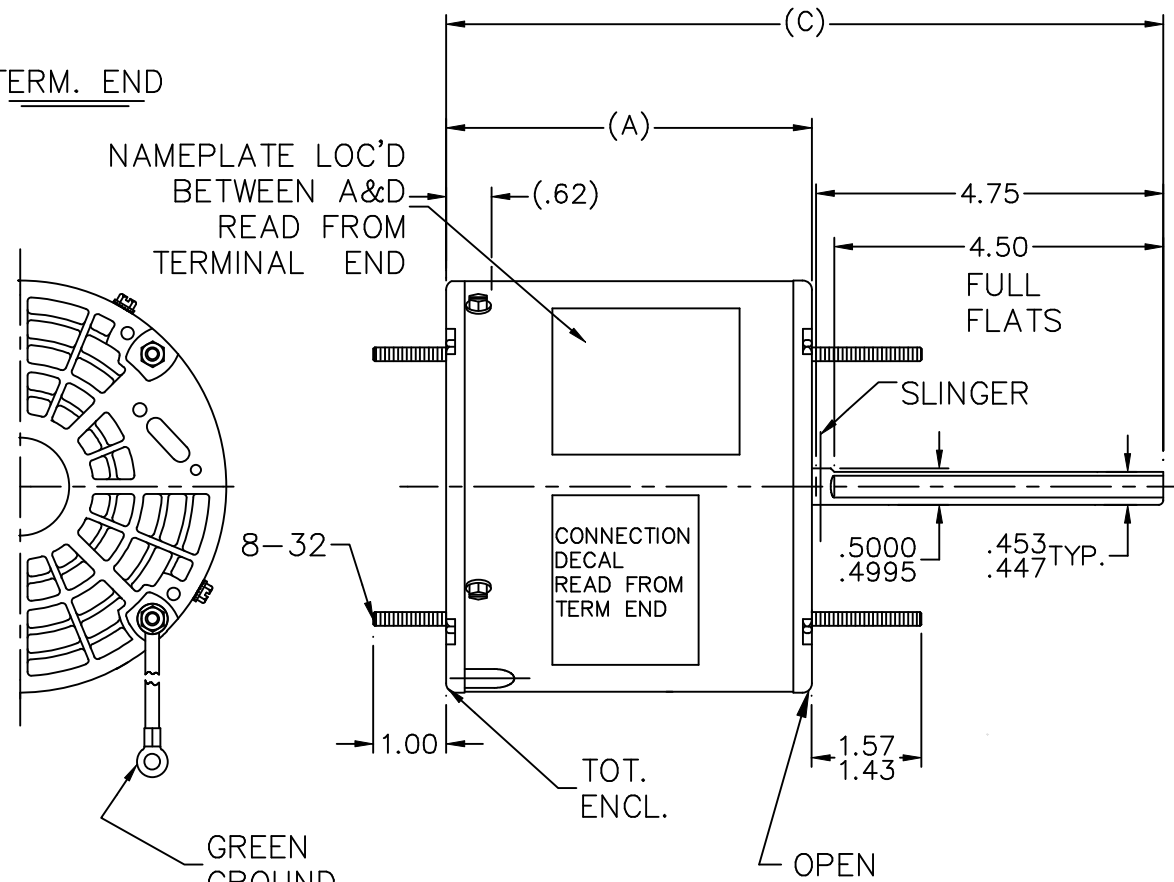


TERM. END



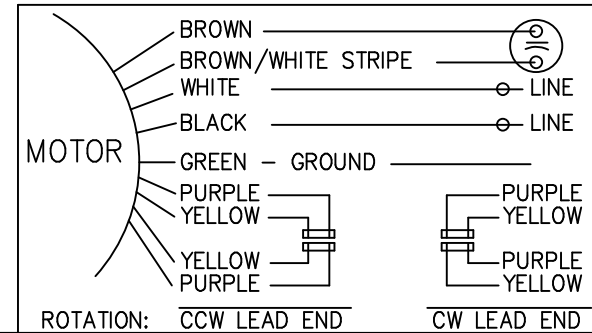
LEAD DESCRIPTION:

1 BLACK, AND 1 WHITE LEAD WITH .50 BARE WIRE STRIP 30.00" LONG.

2 BROWN CAPACITOR LEADS WITH .25 FLAG-TYPE QUICK CONNECTS 30.00" LONG. BROWN WITH WHITE MARK IS COMMON TO WHITE LEAD.

REVERSING LEADS ARE MOLDED INTO MATING PULL APART PLUGS 1 PURPLE, AND 1 YELLOW PER PLUG 5.00" LONG.

GREEN GROUND LEAD WITH TERM. FOR #10 SCREW 12.00" LONG.



DASH	FR.	C	A
375	48Y	9.06	4.25

				TOLERANCES UNLESS SPECIFIED			DRAWN AD 10-30-2009					
				DEC.	INCHES		CHK					
				.X	±.1		APPD	SCALE	.38=1.00			
				.XX	±.03		REF					
				.XXX	±.005		FMF					
				.XXXX	±.0005	PREV						
NO.	REVISION	BY & DATE	CHK	ANG	±'30"	MAT'L.	FINISH	SIZE	DRAWING NO.	PAGE	OF	REV.
			RFP			CAD FILE	SS403883	A	SS403883			0
				DIST	WP							

THIS DRAWING IN DESIGN AND DETAIL IS OUR PROPERTY AND MUST NOT BE USED EXCEPT IN CONNECTION WITH OUR WORK ALL RIGHTS OF DESIGN AND INVENTION ARE RESERVED THIS IS AN ELECTRONICALLY GENERATED DOCUMENT - DO NOT SCALE THIS PRINT