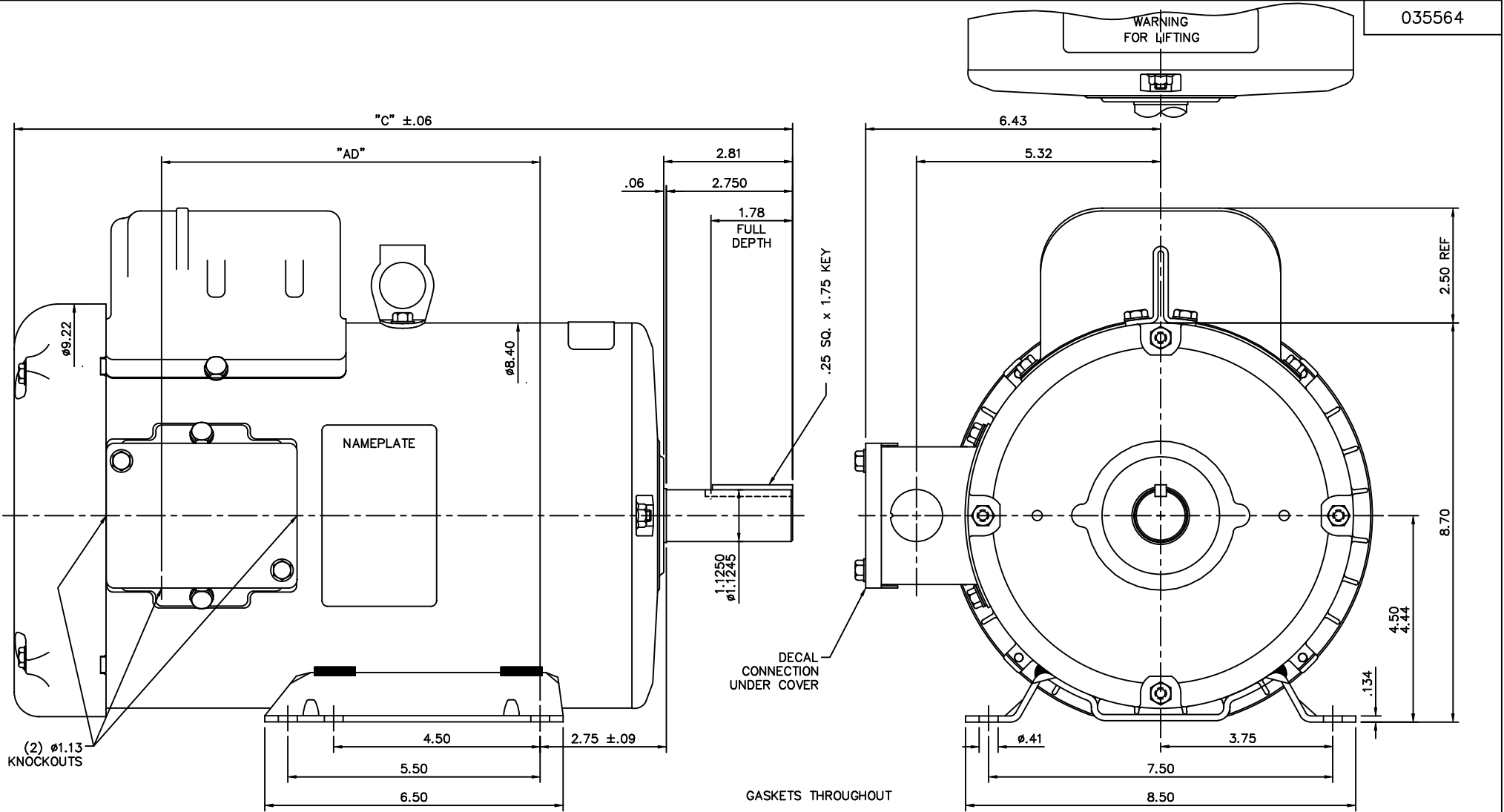


035564



DASH NO.	"C"	"AD"
850	13.96	5.25
900	14.46	5.75
950	14.96	6.25
1000	15.46	6.75
1050	15.96	7.25
1150	16.46	7.75
1150	16.96	8.25
1200	17.46	8.75

NO.	REVISION	BY & DATE
01	DRAWING REDRAWN WITH NEW STANDARD C'BOX	KVN 4/8/2008

TOLERANCES UNLESS SPECIFIED	
DEC.	INCHES
	±.1
.XX	±.03
.XXX	±.005
.XXXX	±.0005
CHK	ANG ±1/2"
RFP	
DIST	

**MARATHON ELECTRIC**

TITLE: OUTLINE- 180T FRAME  
TEFC- RIGID

CAD FILE: 035564

DRAWN KVN 09/10/2007	CHK
APPD	RDW
SCALE	1=2
REF	03549000
FMF	184TBFW7701
PREV	
SIZE	DRAWING NO.
B	035564
REV.	01

THIS DRAWING IN DESIGN AND DETAIL IS OUR PROPERTY AND MUST NOT BE USED EXCEPT IN CONNECTION WITH OUR WORK ALL RIGHTS OF DESIGN AND INVENTION ARE RESERVED THIS IS AN ELECTRONICALLY GENERATED DOCUMENT - DO NOT SCALE THIS PRINT