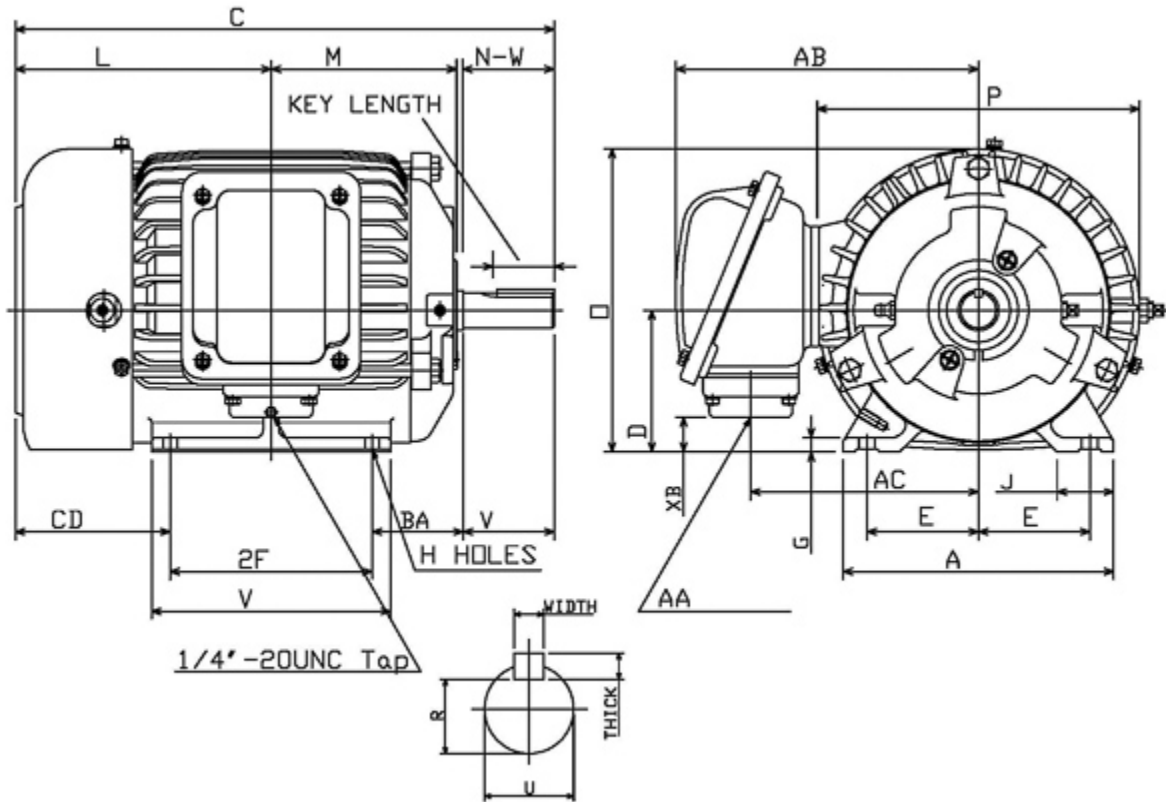


### Dimensional Drawing

| Catalogue    | Model  | HP | Pole | kW   | Rating     | Voltage | Hz | RPM  |
|--------------|--------|----|------|------|------------|---------|----|------|
| APH00125-841 | AEHH8B | 1  | 2    | 0.75 | Continuous | 575 V   | 60 | 3600 |



| Frame Size       | Mounting |      |          |         |                    | A           | B          | C     | CD                           | D          |         |
|------------------|----------|------|----------|---------|--------------------|-------------|------------|-------|------------------------------|------------|---------|
|                  | E        | 2F   | 2F2      | H       | BA                 |             |            |       |                              |            |         |
| 143T             | 2.75     | 4    |          | 0.34    | 2.25               | 6.7         | 5.1        | 12.56 |                              | 3.5        |         |
| G                | J        | K    | L        | M       | O                  | P           | T          | Key   |                              |            | Keyseat |
| 0.35             | 1.4      |      | 6.06     | 4.03    | 7.48               | 7.95        |            | Width | Thick                        | Length     | R       |
|                  |          |      |          |         |                    |             |            | 0.188 | 0.188                        | 1.41       | 0.771   |
| Terminal Housing |          |      | Aux Box  |         |                    | C/D Flange  |            |       |                              |            |         |
| AA               | AB       | AC   | XB       | AE      | AX                 | BB          | AH         | AK    | BD                           | AJ         | BF      |
| NPT3/4"          | 7.56     | 5.63 | 0.86     |         |                    |             |            |       |                              |            |         |
| Shaft Extension  |          |      | Bearings |         | Approx. Weight Lbs | SPL dBA/3ft | Ins. Class | S.F.  | Drive Method                 | Dimensions |         |
| N-W              | U        | V    | DE       | NDE     |                    |             |            |       |                              |            |         |
| 2.25             | 0.875    | 2.2  | 6205ZC3  | 6205ZC3 | 51                 | 49          | F          | 1.15  | Direct Coupling / Belt Drive | Inches     |         |

### Technical Data Sheet

Motor Type: AEHH8B

Catalogue No: APH00125-841

#### Nameplate Information

|           |            |                |             |             |              |                |
|-----------|------------|----------------|-------------|-------------|--------------|----------------|
| HP        | Pole       | RPM            | Frame       | Voltage     | Hz           | Phase          |
| 1         | 2          | 3465           | 143T        | 575         | 60           | 3              |
| Enclosure | Ins. Class | Service Factor | Time Rating | NEMA Design | Rated Amb.   | Rated Altitude |
| TEFC      | F          | 1.15           | Continuous  | B           | -40 to 40 °C | <3300 ft       |

#### Typical Performance

| Efficiency (%)    |                             |                                 |                                      | Power Factor (%)    |           |                                |
|-------------------|-----------------------------|---------------------------------|--------------------------------------|---------------------|-----------|--------------------------------|
| Full Load         |                             | 3/4 Load                        | 1/2 Load                             | Full Load           | 3/4 Load  | 1/2 Load                       |
| Nom.              | Min.                        |                                 |                                      |                     |           |                                |
| 82.5              | 80.0                        | 81.5                            | 78.5                                 | 85.0                | 79.5      | 68.5                           |
| Torque            |                             |                                 |                                      | Current (A)         |           |                                |
| Full Load (lb-ft) | Locked Rotor (% FLT)        | Pull Up (% FLT)                 | Break Down (% FLT)                   | No Load             | Full Load | Locked Rotor                   |
| 1.52              | 350                         | 365                             | 400                                  | 0.5                 | 1.1       | 12                             |
| NEMA KVA Code     | Inertia (WR <sup>2</sup> )  |                                 |                                      | Safe Stall Time (s) |           | Noise Level Sound Press. dB(A) |
|                   | Rotor (lb-ft <sup>2</sup> ) | NEMA Load (lb-ft <sup>2</sup> ) | Max. Allowable (lb-ft <sup>2</sup> ) | Cold                | Hot       |                                |
| N                 | 0.046                       | 1.2                             | 5.3                                  | 17                  | 12        | 49                             |

#### VFD Duty Information

| Speed Range     |                 |                | VFD     |              | S.F.     |
|-----------------|-----------------|----------------|---------|--------------|----------|
| Constant Torque | Variable Torque | Constant Power | Carrier | Type         |          |
| 6-60Hz          | 3-60Hz          | 60-120Hz       | ≤ 5 kHz | VPWM or CPWM | 1.0 Only |

#### Additional Information

| Bearings |         | Approx. Weight |
|----------|---------|----------------|
| DE       | NDE     | lbs            |
| 6205ZC3  | 6205ZC3 | 51             |

#### Hazardous Locations Information

| CSA Certified                             |           |
|---|-----------|
| Class I, Div 2, Groups B, C & D           |           |
| Class I, Zone 2, Groups IIB+H2, IIB & IIA |           |
| Temp Code (Sinewave / VFD)                | T3C / T3C |