

No reproduction of this drawing is allowed written permission of WEG Motores

EIXO	
PADRÃO	X
OPCIONAL	
ESPECIAL	

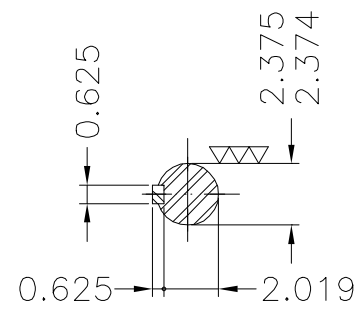
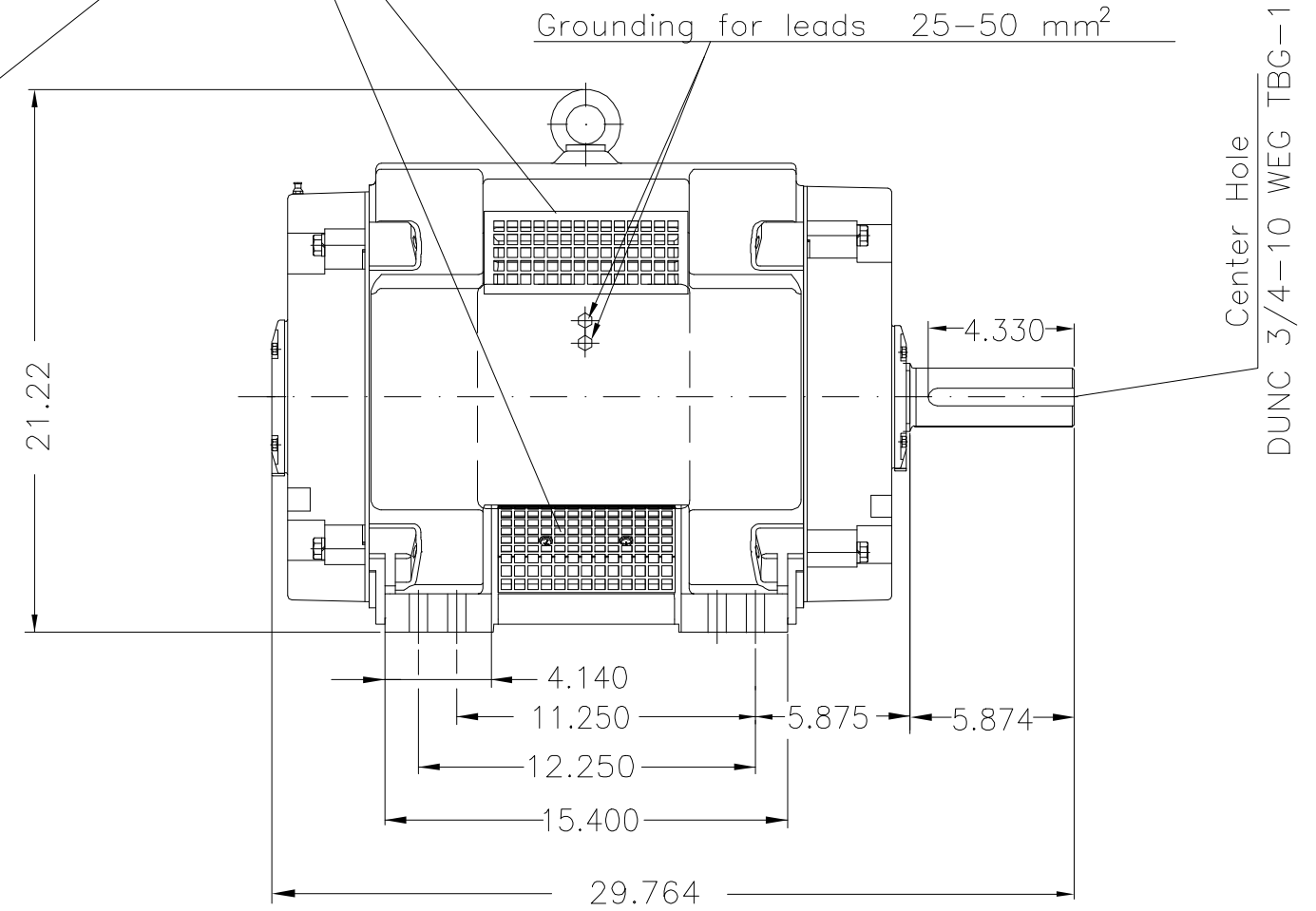
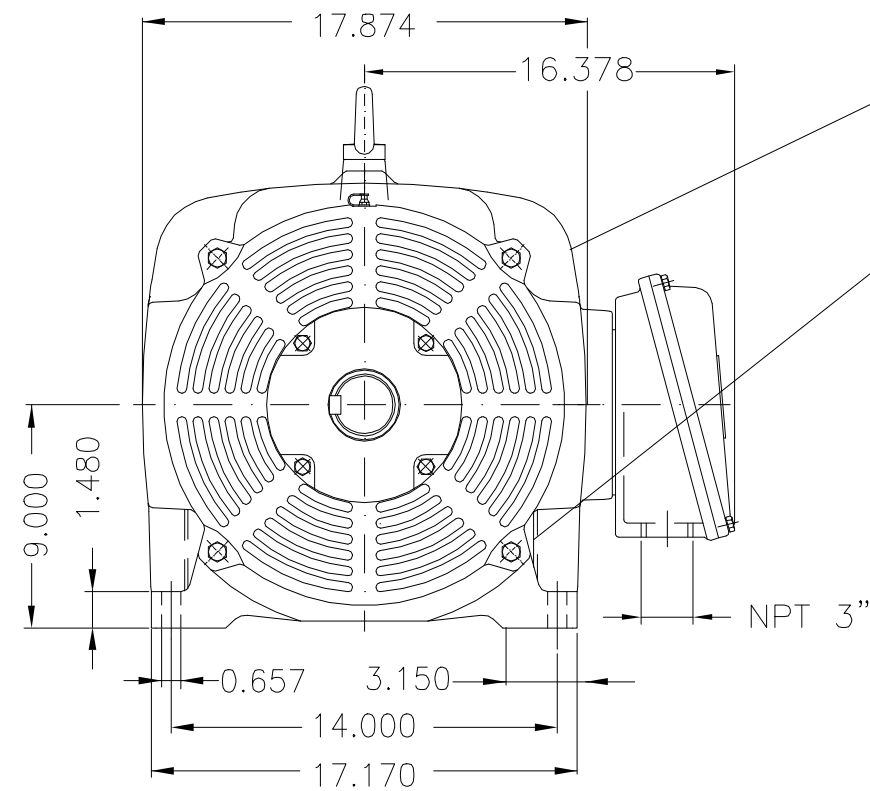
Dimensões em polegada
Dimensions in inches

CERTIFIED WEG MOTORES

Certified document.
Not subject to changes.

THIS IS AN UPDATED REVISION, THE PREVIOUS ONE MUST BE DISREGARDED.

Tela de proteção / Screen protection



Carcaça especial / Special frame									
Categoria D / Design D									
Forma construtiva B3E / Mounting B3L(E)									
WEG ELECTRIC MOTORS CORP.									
GROSS WEIGHT		kg		NET WEIGHT		kg		SCALE	
500000198491		ATUAL. PDF		GIACOMO		HARLEI	19.06.2009	04	
500000002434				RUDIK		ADRIANAP	22.08.2008	03	
MODIF. NUMBER	LOC	SUMMARY OF MODIFICATIONS				EXECUTED	CHECKED	RELEASED	DATE
EXECUTED	RUDIK	THREE PHASE OIL WELL PUMP. MOTOR FRAME 364/5T IP23				E3005090			
CHECKED									
RELEASED	ADRIANAP					000 04			
REL. DATE	22.08.2008								
ENG. MOTORES INDUSTRIAIS						FOL/SHEET 01 / 01			

40 HP 6 Poles 60 Hz X686.03.07 MEC