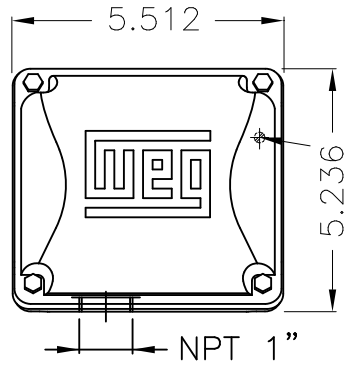


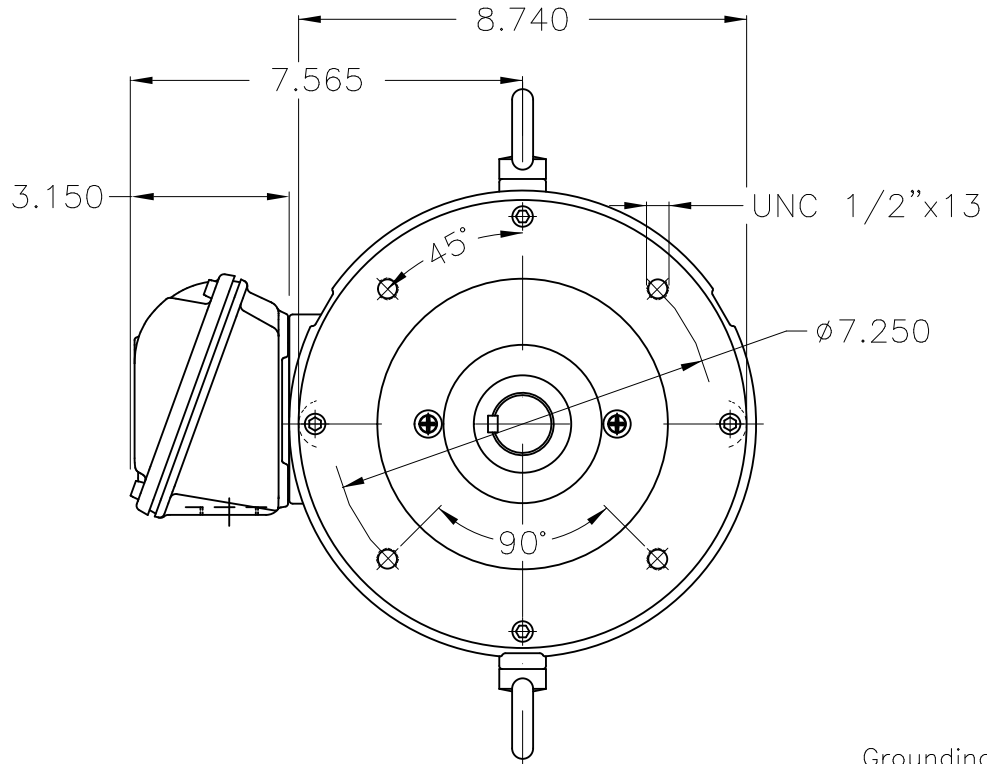
Dimensões em polegada
Dimensions in inches

THIS IS AN UPDATED REVISION, THE
PREVIOUS ONE MUST BE DISREGARDED.

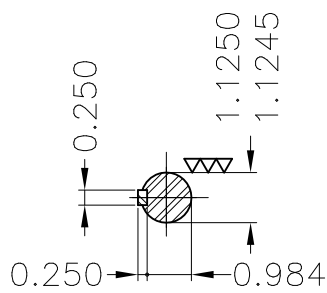
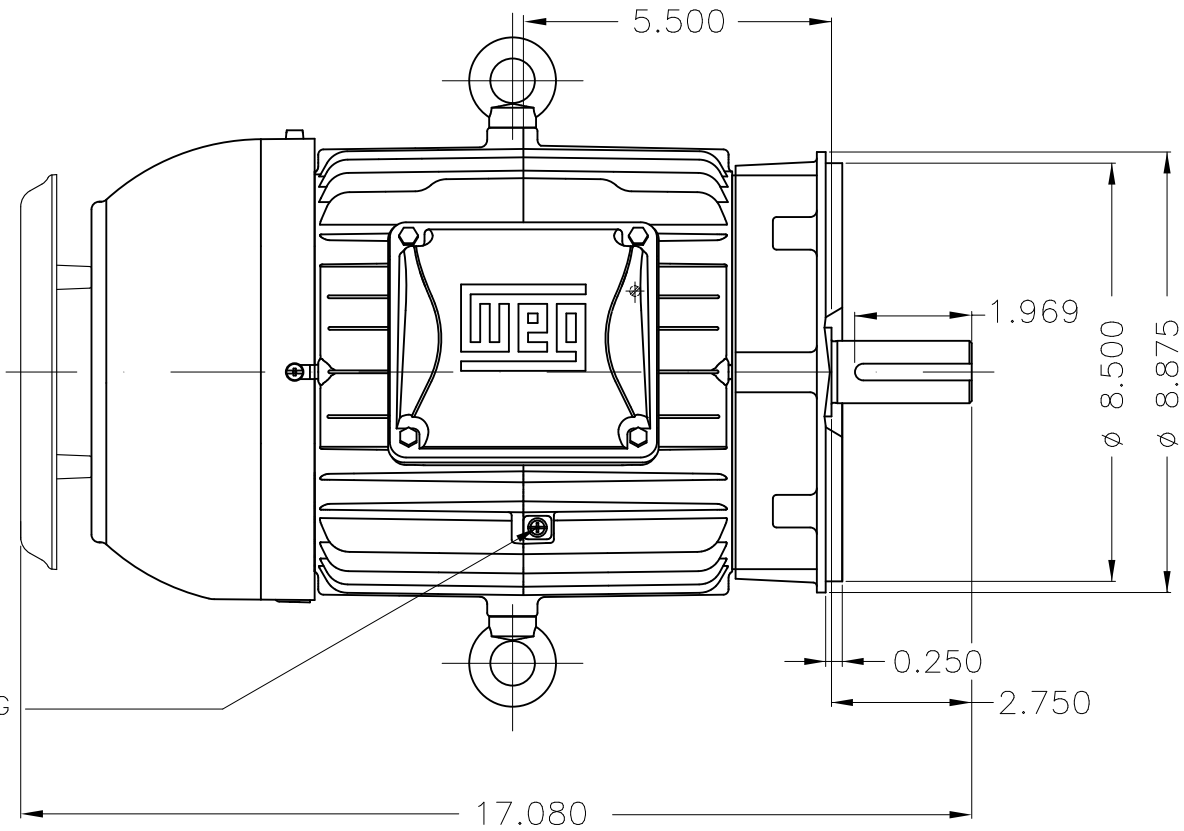


Grounding for leads 2-10 mm² / 14-7 AWG

Main terminal box

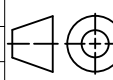


Grounding for leads 2-10 mm² / 14-7 AWG



DE Shaft End

Color RAL 5009
Painting plan 202E
Mounting V18

ECM	LOC	SUMMARY OF MODIFICATIONS	EXECUTED	CHECKED	RELEASED	DATE	VER
EXECUTED	USERADMIN	 THREE PH. W22 NEMA P.EFF MOTOR IEEE841 FRAME 184TC IP55 TEFC WEG code: 12822416					
CHECKED							
RELEASED							
REL DT	24.07.2017	WMO Jaragua do Sul	Product Engineering	SHEET	1 / 1		

5 HP 04 Poles 60Hz

A

