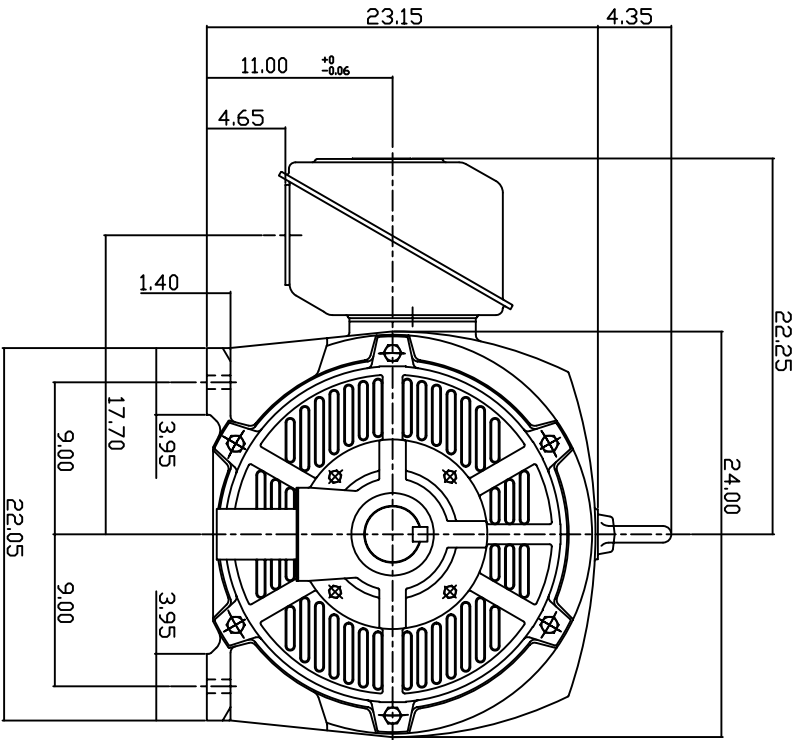
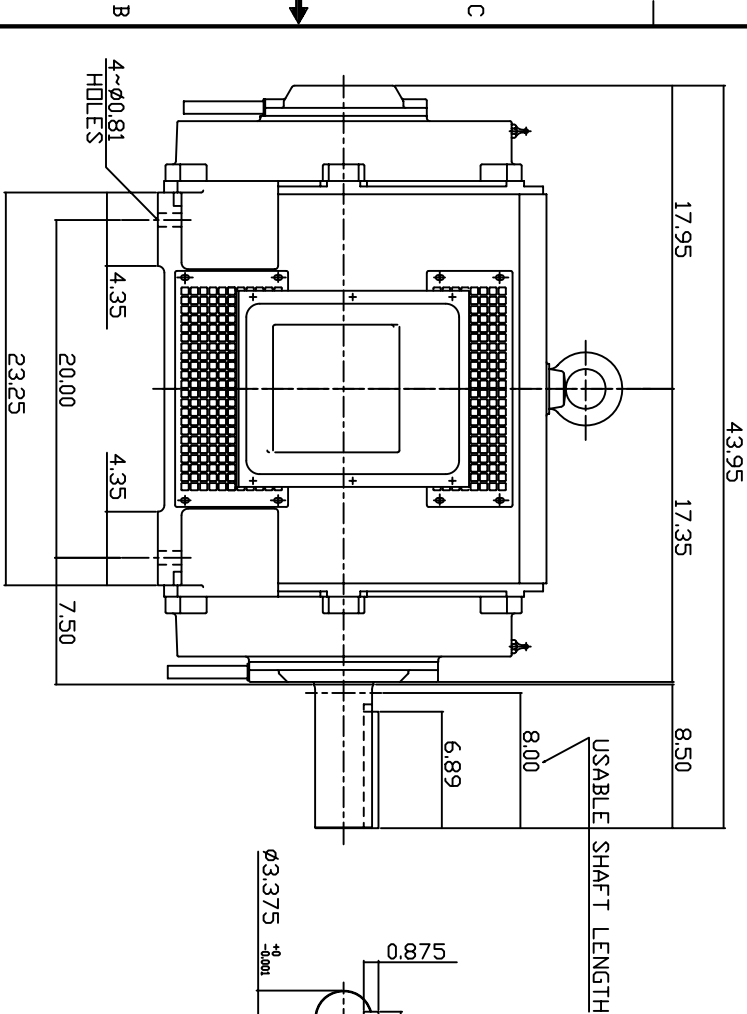


TYPE	OUTPUT		POLE	TIME RATING	VOLTAGE	Hz	SYN.SPEED R.P.M
	HP.	KW.					
ASHH	250	186.5	4	CDNT.	460	60	1800

DRIP PROOF TYPE, SQUIRREL-CAGE ROTOR



NOTE:  
1. DIMENSIONS IN INCH.  
2. FRAME NO. 447T  
3. F CLASS INSULATION, S.F.1.15  
4. FOR BELT DRIVE APPLICATIONS  
5. BEARING SIZE: DRIVE END: NU320  
NON-DRIVE END: 6318  
6. MOTOR APPRX. WEIGHT: 1810 LBS

- DIMENSIONS IN INCH.
- FRAME NO. 447T
- F CLASS INSULATION, S.F.1.15
- FOR BELT DRIVE APPLICATIONS
- BEARING SIZE: DRIVE END: NU320  
NON-DRIVE END: 6318
- MOTOR APPRX. WEIGHT: 1810 LBS

TB-56SC

DWN.	W.LLIN	MAR-26-2003
CHKD.	W.LLIN	MAR-26-2003
APPD.	C.WANG	MAR-26-2003

DATE	February 24, 2007	OUTLINE DIMENSIONS
CATALOG NO.	DHP2504R	
3-PHASE INDUCTION MOTOR		DWG NO.
		3A040T263-1

TEC Westinghouse REV. 00