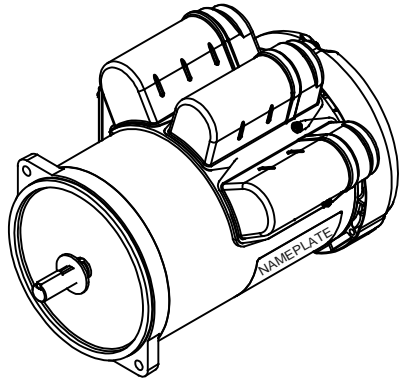
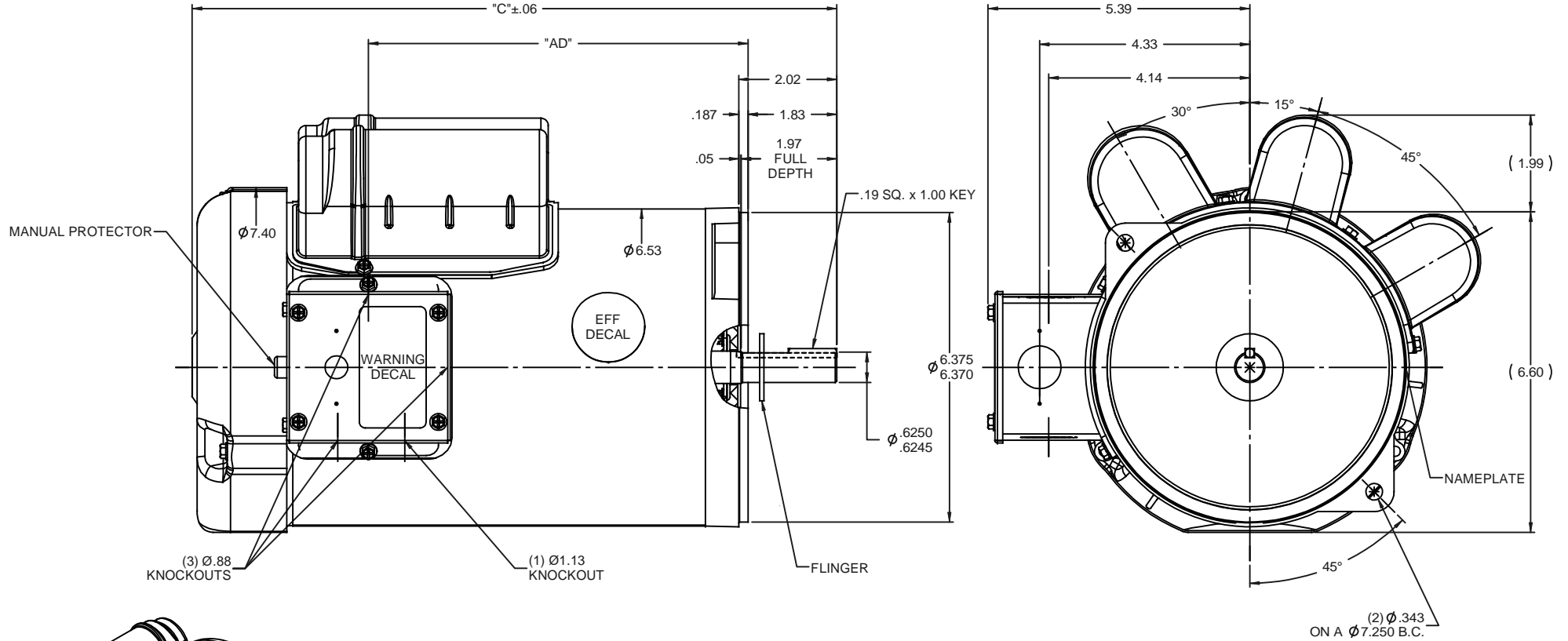


RBC PROPRIETARY AND CONFIDENTIAL INFORMATION  
 This document is the property of REGAL BELOIT CORPORATION ("RBC") including its subsidiaries and divisions and contains proprietary information of RBC. This document is loaned on the express condition that neither it nor the information contained therein shall be disclosed to others without the express written consent of RBC, and that the information shall be used by the recipient only as approved expressly by RBC. This document shall be returned to RBC upon its request. This document may be subject to certain restrictions under U.S. export control laws and regulations.



DASH NO.	"C"	"AD"
700	11.77	6.32
750	12.27	6.82
800	12.77	7.32
850	13.27	7.82

NOTE:  
1) GASKETS THROUGHOUT

REVISION		BY & DATE	CHK	ANG	±1/2"	FINISH STANDARD	DRAWING NO		REV
THIRD ANGLE PROJECTION			RFP	12/05/08		PREV	SIZE	B	
			NETWORK FILE NAME				DRAWING NO		
							028913		

TOLERANCES UNLESS SPECIFIED		LEESON ELECTRIC MOTORS GEARMOTORS AND DRIVES		DRAWN GRB 12/05/08	
DEC	INCHES			CHK DJ 12/05/08	
x	±.1			APPR DJ 12/05/08	
.xx	±.03	TITLE OUTLINE - 56 FRAME		SCALE 1:2	
.xxx	±.005	TEFC - OIL BURNER FLANGE		REF 034088	
.xxxX	±.0005	MATL		FMF 113907.00	
				PAGE 1 OF 1	