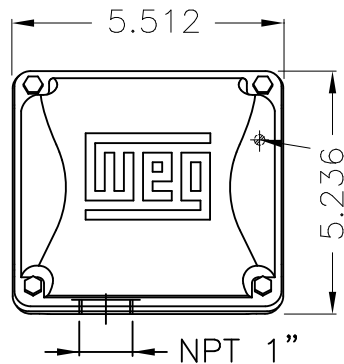


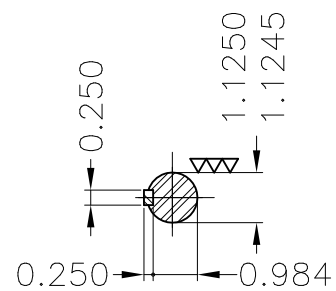
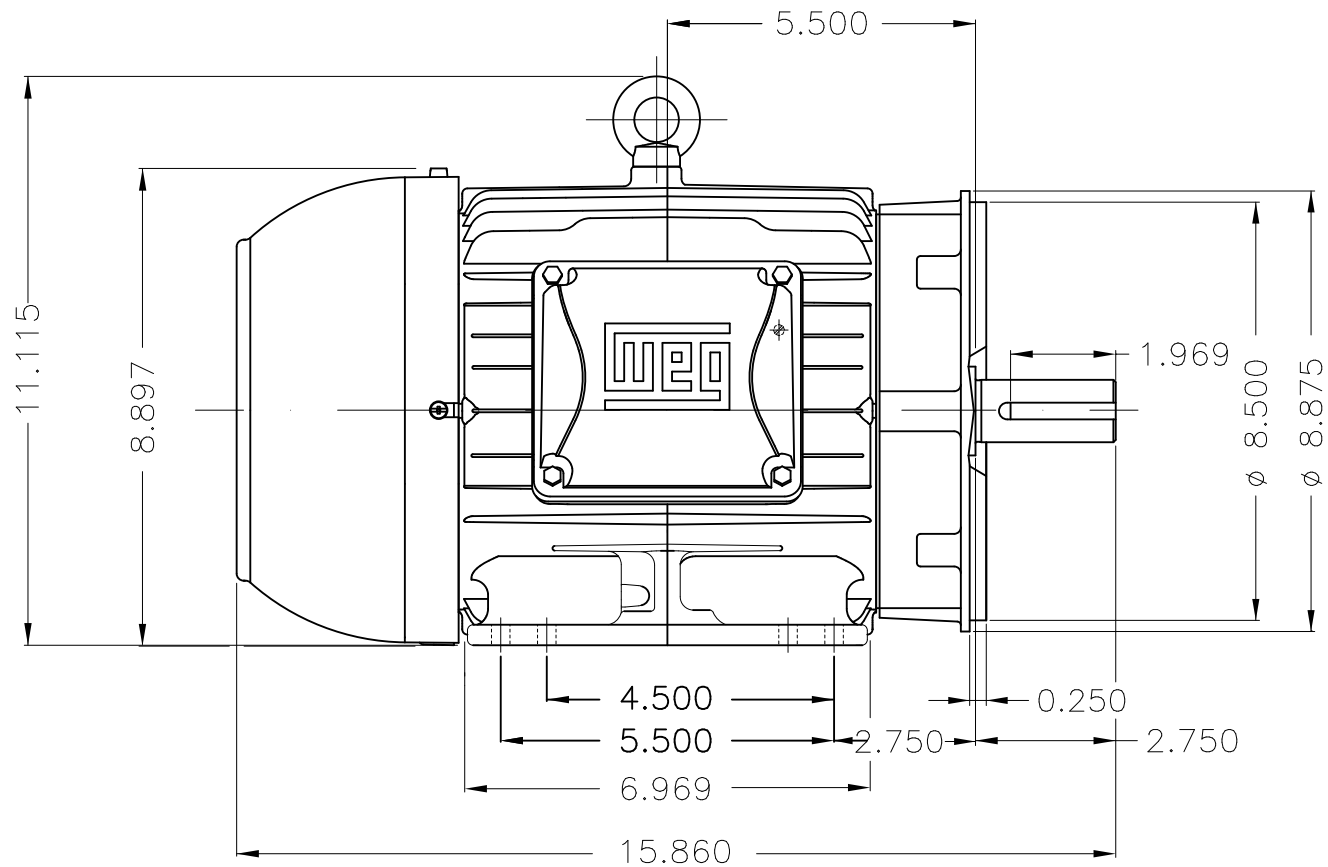
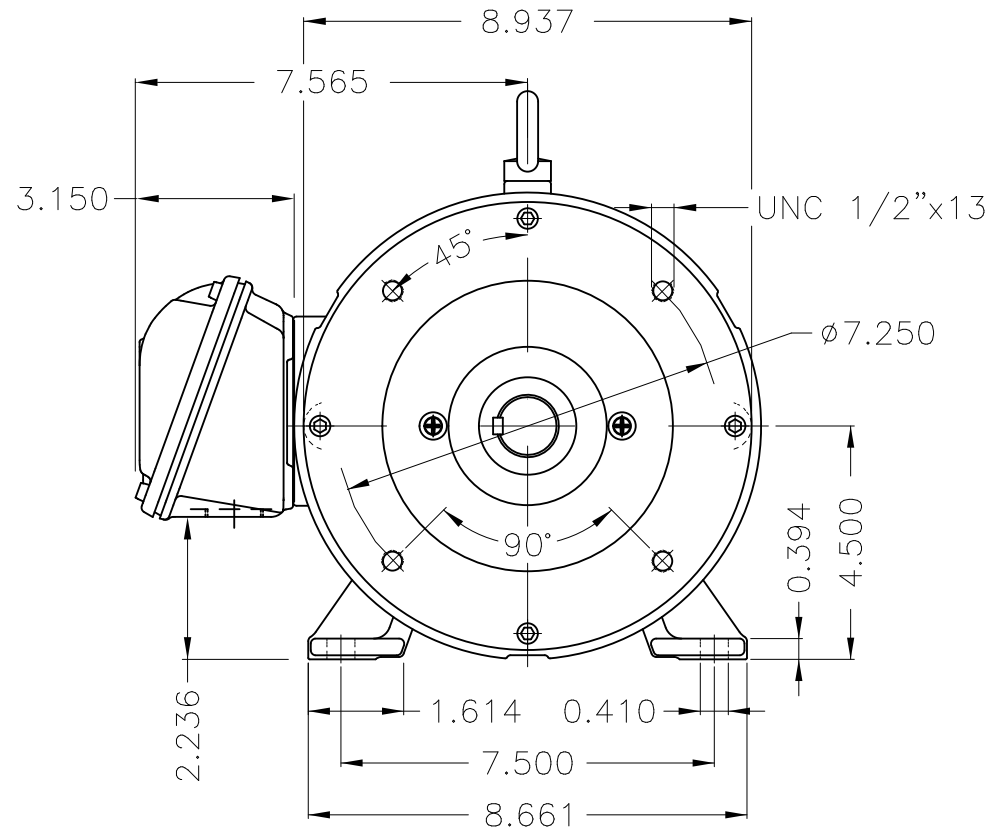
Dimensões em polegada
Dimensions in inches

THIS IS AN UPDATED REVISION, THE
PREVIOUS ONE MUST BE DISREGARDED.



Grounding for leads 2-10 mm² / 14-7 AWG

Main terminal box



DE Shaft End

Bearing cap
Color RAL 5009
Painting plan 207A
Mounting B34R(D)

| ECM | LOC | SUMMARY OF MODIFICATIONS | | | EXECUTED | CHECKED | RELEASED | DATE | VER |
|----------|------------|--------------------------|--|---------------------|----------|---------|----------|------|-----|
| EXECUTED | USERADMIN | | THREE PHASE W22 MOTOR - NEMA PREMIUM EFF | | | | | | |
| CHECKED | | | FRAME 182/4TC IP55 TEFC | | | | | | |
| RELEASED | | | WEG code: 11610620 | | | | | | |
| REL DT | 24.07.2017 | WMO | Jaragua do Sul | Product Engineering | SHEET | 1 / 1 | | | |

5 HP 04 Poles 60Hz

