

Product Information Packet

November 7, 2016

Data shown is for the current revision model #. Ensure your nameplate model # matches.

Model Number:	5KS184ATE205RG3
Catalog Number:	E7058
Instruction Manual:	GEI-M1023
Connection Diagram:	GEM2034E-FIG3
Outline Drawing:	358B6214AD

Accessory Connection Diagrams

Bearing Thermocouple:	None	Heater:	None
RTD:	None	Thermistor:	None
Thermostat:	None	Winding Thermocouple:	None
Bearing RTD:	None		

Table of Contents

Specification	01
Performance Characteristics	02
Outline Drawing	03
Connection Drawing(s)	04



Marks:

MODEL NUMBER:	5KS184ATE205RG3	Estimated Weight:	105 Lbs
Outline Drawing:	358B6214AD	Time Rating:	CONT
Connection Diagram:	GEM2034E-FIG3	Enclosure:	DP
Instruction Book:	GEI-M1023	Encl Construction:	OPEN
Design Code:	18AD1008A	Ambient Max(°C):	40
Type:	KS	Alt Ambient Max(°C):	--
Frame:	184T	Insulation Class:	F
Phases:	3	NEMA Design:	A
Poles:	4	Nominal Efficiency:	89.5 %
Output Power:	5HP 3.7KW	Guaranteed Efficiency:	87.5
RPM:	1740	3/4 Load Efficiency:	90.5
Voltage:	230/460	KVA Code:	K
Hertz:	60	Max KVAR:	1.7
Amps - FL:	12.8/6.4	Power Factor:	81.5
Service Factor:	1.15	Bearing - DE:	6308ZZ
Alt Service Factor:	--	Bearing - ODE:	6208ZZ

Enclosure is Dripproof

Stamped Nameplate Notes:**Additional Information:**

MADE FROM MODEL 5KS184ATE205
 ADD AEGIS GROUND RING
 MOD AMSTUTZ 15-NOV-2011

Performance Characteristics

1st Winding 1st Connection

Design: 18AD1008A

Marks:

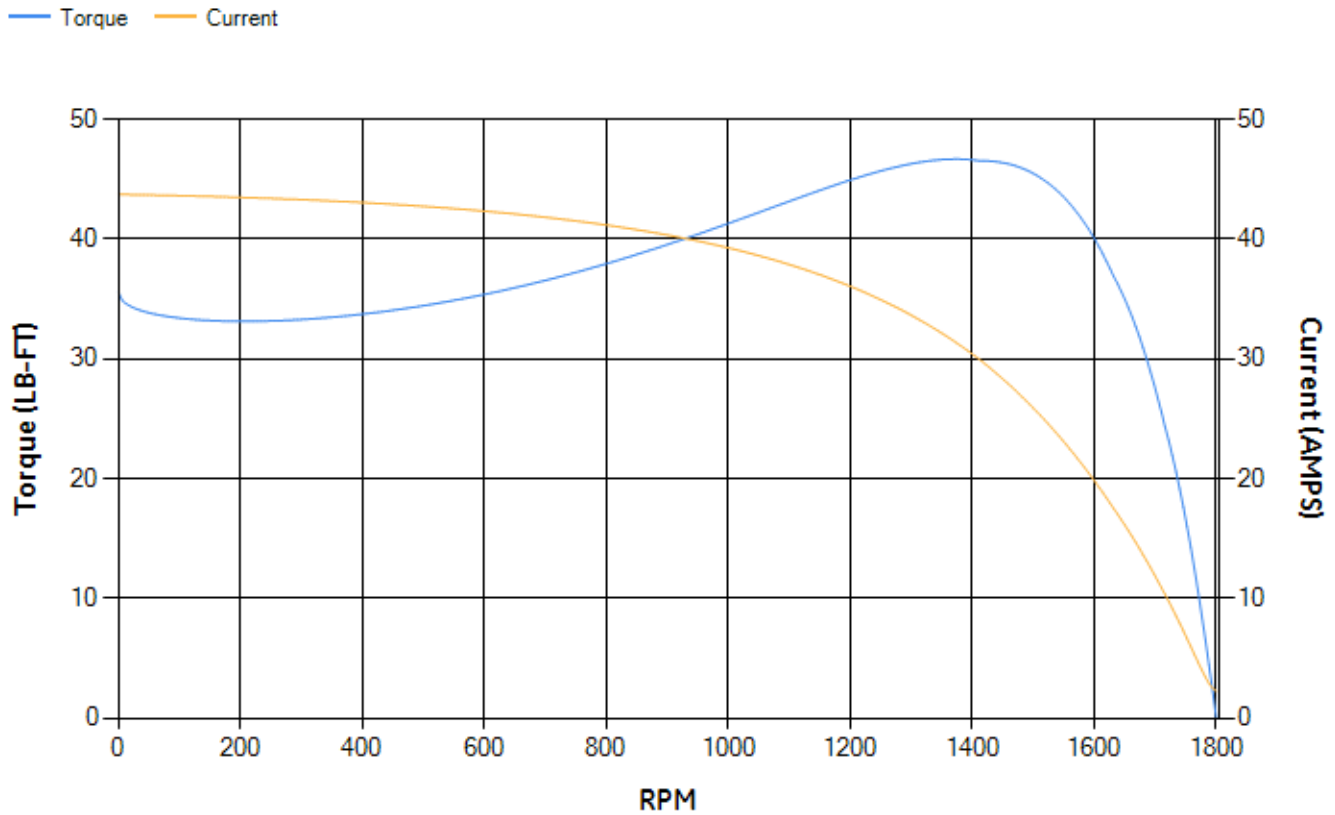
LOAD %	125.0	115.0	100.0	75.0	50.0	25.0	0.0
% EFF	87.37	88.21	89.48	90.52	90.7	87.53	0.00
% PF	84.51	84.22	83.22	79.39	70.31	48.98	5.91
AMPS	7.92	7.24	6.28	4.88	3.67	2.73	2.26

TORQ(FL)#FT	15.08	TORQ(LR)%FL	235.71	TORQ(BD)%FL	304.38
AMPS(LR)	43.73	PF AT START	0.45		

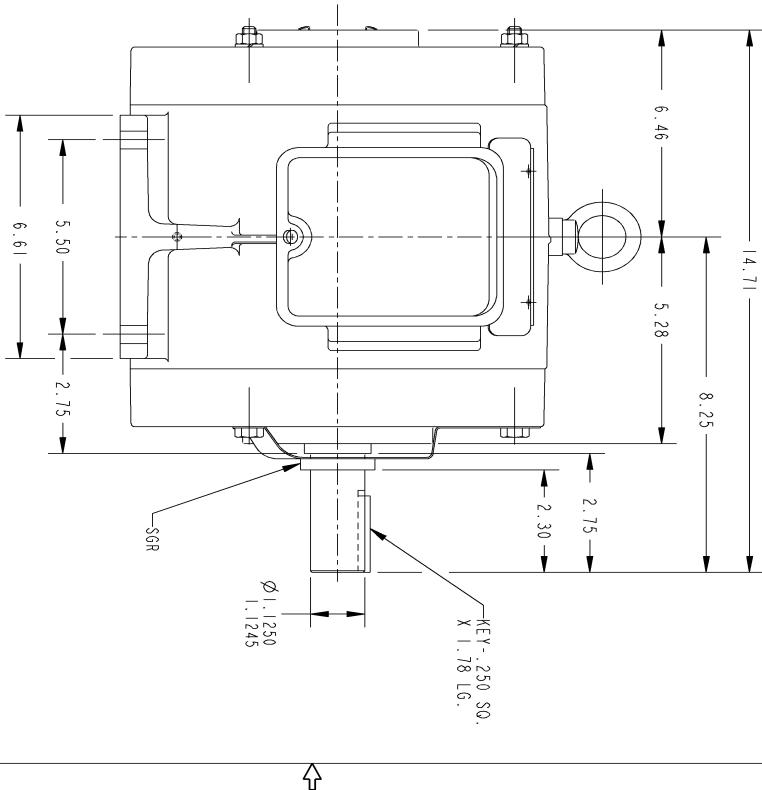
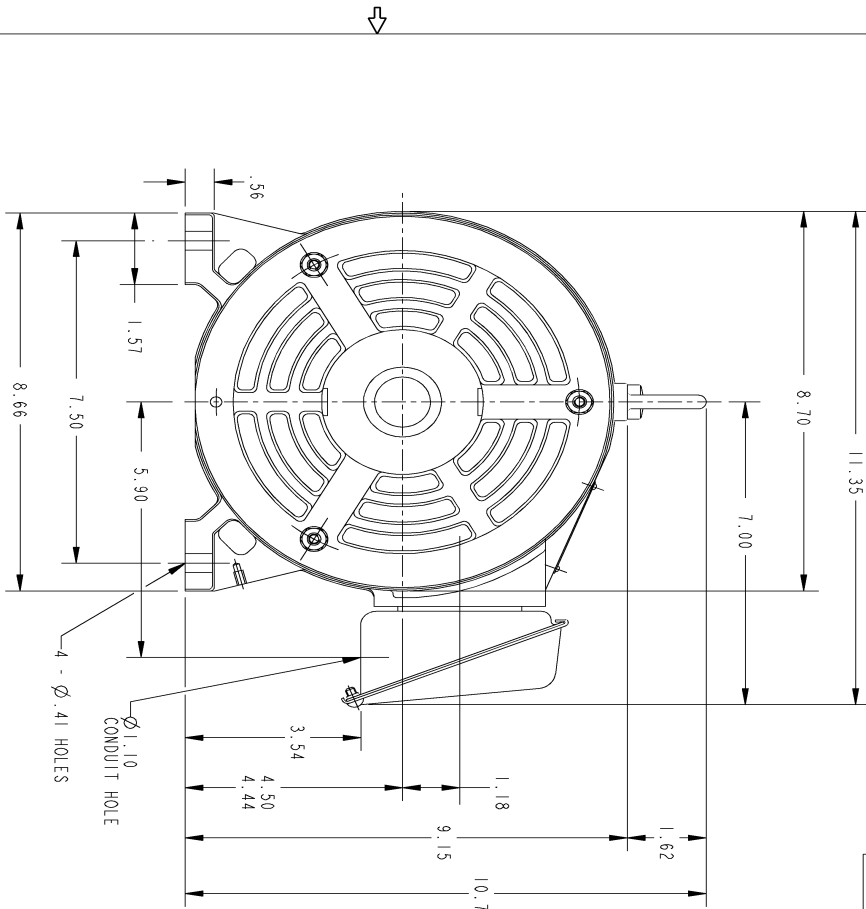
This motor is capable of two cold or one hot start with a maximum connected load inertia of 112 Lb-Ft Sq (4.72 Kg-meter Sq)at 100% voltage, where the load torque varies with the square of the speed. Acceleration time with maximum inertia and the above load type is 19 seconds. Safe stall time at 100% voltage is 58 seconds cold, 33 seconds hot. Rotor inertia is 0.46 Lb-Ft Sq (0.02 Kg-meter Sq).

Open Circuit A-C:	0.226	Short Circuit D-C:	0.008
Short Circuit A-C:	0.01	X/R Ratio:	3.019
Stator Slots:	36	Rotor Slots:	28

Speed Torque Current Curve (First Connection, First Speed)



Marks:



NOTES:

1. CONDUIT BOX MAY BE PLACED WITH THE ENTRANCE DOWN, UP OR ON EITHER SIDE.
2. F-1 ASM AS SHOWN.
3. F-2 ASM - HAS CONDUIT BOX ON OPPOSITE SIDE.



THIRD ANGLE PROJECTION

This document is the property of General Electric Company ("GE") and contains proprietary information of GE. This document is issued on the express condition that neither it nor the information contained herein shall be disclosed to any third party without the prior written consent of GE. The information shall be used by the recipient only as expressly permitted by the recipient. This document shall be returned to GE upon its request. The recipient shall be subject to standard restrictions under U.S. export control laws and regulations.

GE PROPRIETARY INFORMATION

358B6214AD

REV 0

REVISIONS

REV.	DESCRIPTION	DATE	APPROVED

SIGNATURES	DATE
MODEL: SHANKAR 07/14/11	
DETAIL: VENKAT. J 07/14/11	
CHECKED: VENKAT. J 07/14/11	
ENGRS: VENKAT. J 07/14/11	
DRAWN: SHANKAR 07/14/11	
ISSUED: SHANKAR 07/14/11	
SO. ID MODEL: MODEL NAME	

GE Motors GENERAL ELECTRIC COMPANY

TITLE: **OUTLINE**

184T - OPEN DRIP PROOF WITH SGR

SCALE: DRAWING SCALE

358B6214AD REV 0

SHEET 1 of 1

Marks:

Connection Diagram
GEM2034E-FIG3

