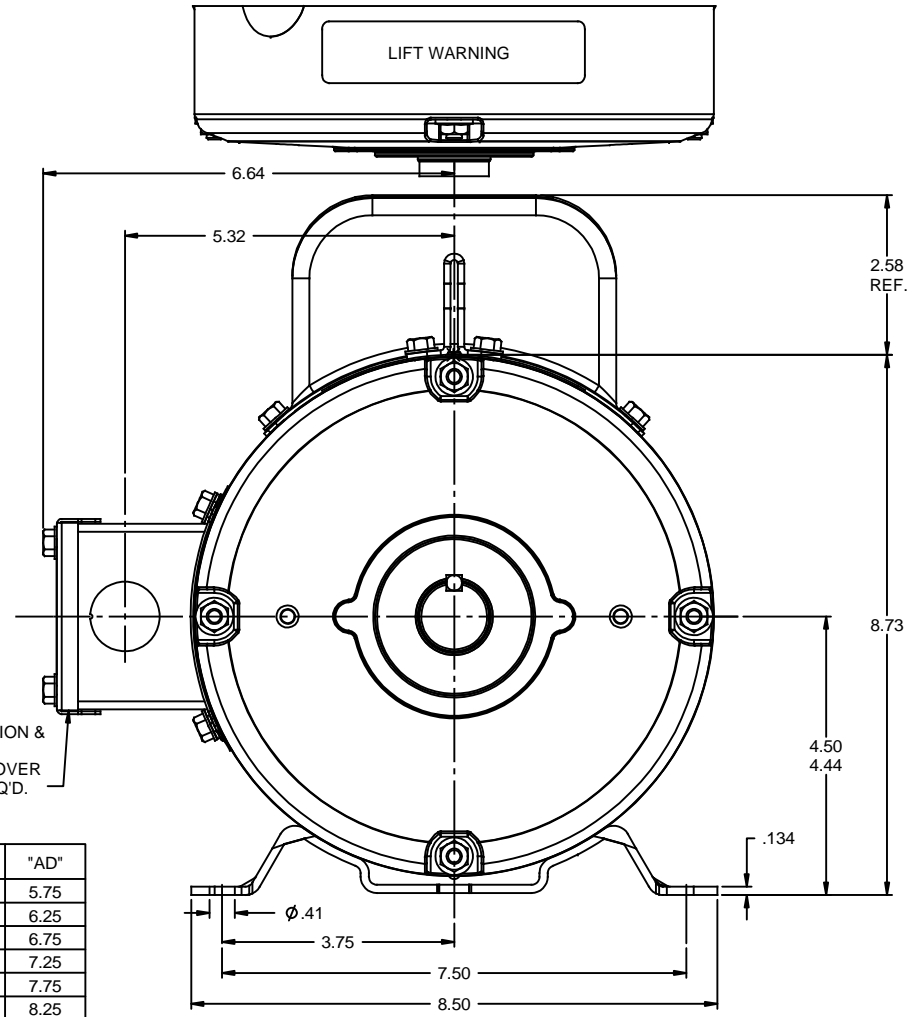
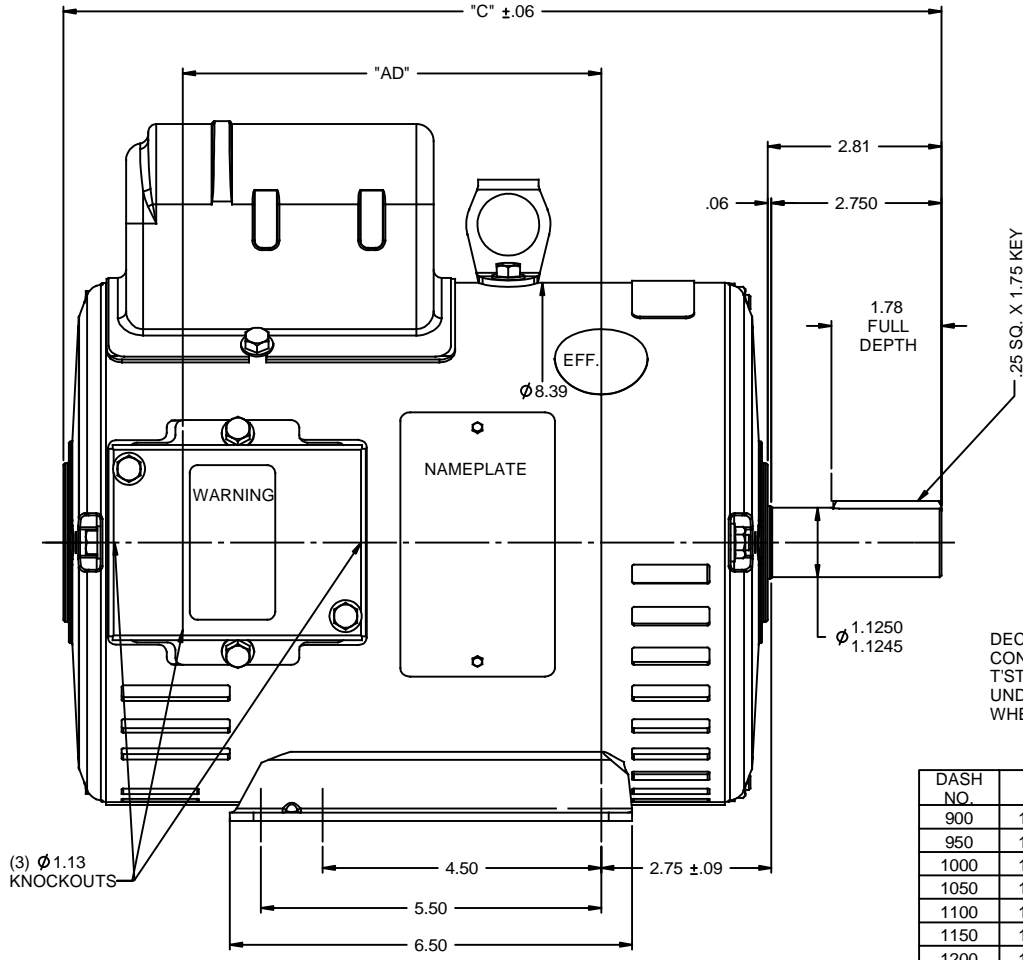


RBC PROPRIETARY AND CONFIDENTIAL INFORMATION  
 This document is the property of REGAL BELOIT CORPORATION ("RBC") including its subsidiaries and divisions and contains proprietary information of RBC. This document is loaned on the express condition that neither it nor the information contained therein shall be disclosed to others without the express written consent of RBC, and that the information shall be used by the recipient only as approved expressly by RBC. This document shall be returned to RBC upon its request. This document may be subject to certain restrictions under U.S. export control laws and regulations.



DASH NO.	"C"	"AD"
900	13.19	5.75
950	13.69	6.25
1000	14.19	6.75
1050	14.69	7.25
1100	15.19	7.75
1150	15.69	8.25
1200	16.19	8.75
1250	16.69	9.25

DECAL- CONNECTION & T'STATS. UNDER COVER WHEN REQ'D.

GASKETS THROUGHOUT

		TOLERANCES UNLESS SPECIFIED:		DRAWN PG 10/02/97	
		DEC	INCHES	CHK	
		x	±.1	APPR	
		.xx	±.03	TITLE OUTLINE - 180T FRAME	
		.xxx	±.005	DRIP PROOF - RIGID MOUNT	
- UPDATED & REDRAWN IN SOLIDWORKS		LST 12/23/2009	XX .xxx	±.005	MAT'L
NO REVISION		BY & DATE	CHK ANG ±1/2°	FINISH	PAGE OF
THIRD ANGLE PROJECTION		RFP	PREV	SIZE	DRAWING NO
		NETWORK FILE NAME	B	035370	REV -