

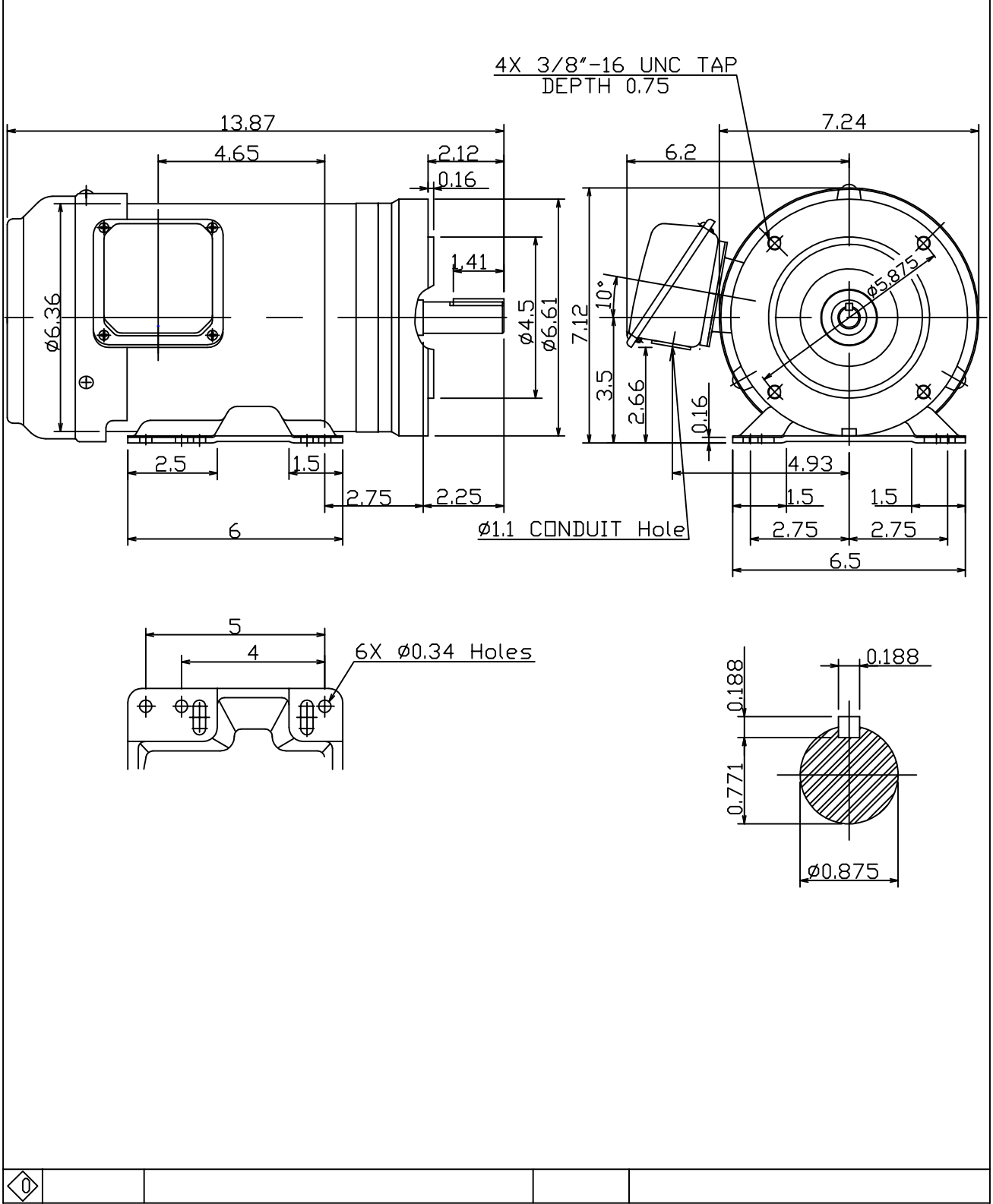
DATE
OCTOBER 19, 2009
CAT. #: GP0012C

OUTLINE DIMENSIONS
3-PHASE INDUCTION MOTOR

MOTOR TYPE:
AEGHCF
FRAME NO. 143TC

Pole	HP	kW	Hz	VOLT	Syn.Speed r/min(rpm)
2	1	.75	60	230/460	3600

Ins	Rating	Dimension in	Approx Weight	Bearings
F	CONT.	inch.	29 lbs.	DE: 6205ZZ NDE: 6204ZZ



<table border="1"> <tr> <td>DWN.</td> <td>Y.Y.CHEN</td> <td>09-22-09</td> </tr> <tr> <td>CHKD.</td> <td>C.Y.CHEN</td> <td>09-23-09</td> </tr> <tr> <td>APPD.</td> <td>M.C.TSAI</td> <td>09-23-09</td> </tr> </table>	DWN.	Y.Y.CHEN	09-22-09	CHKD.	C.Y.CHEN	09-23-09	APPD.	M.C.TSAI	09-23-09			DWG NO. 31049Z107730
DWN.	Y.Y.CHEN	09-22-09										
CHKD.	C.Y.CHEN	09-23-09										
APPD.	M.C.TSAI	09-23-09										