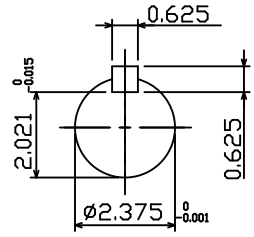
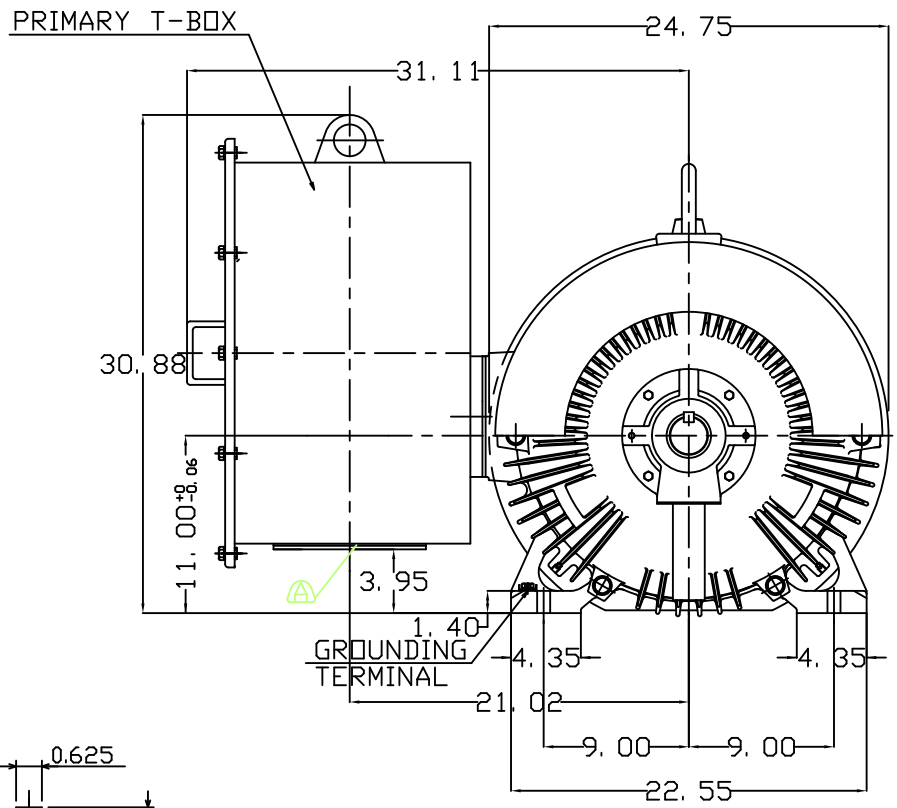
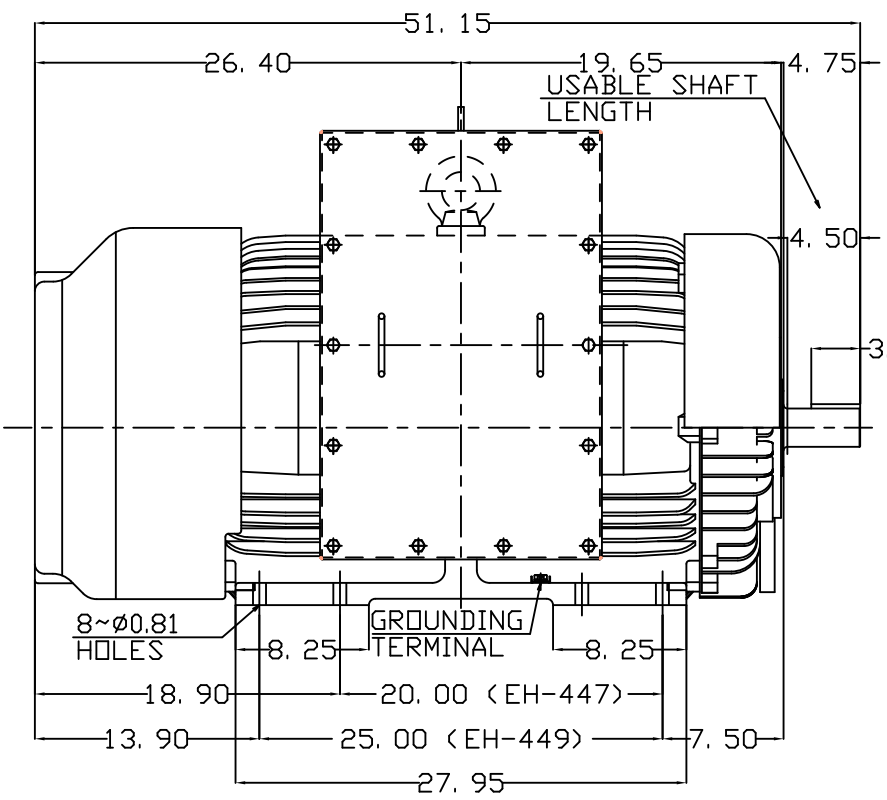


TYPE	OUTPUT		POLE	TIME RATING	VOLTAGE V	Hz	SYN.SPEED R.P.M
	HP.	kW.					
AEHH8B	250	187	2	CONT.	460	60	3600

TOTALLY ENCLOSED FAN-COOLED TYPE, SQUIRREL CAGE ROTOR



▲ REMOVABLE COVER FOR CABLE ENTRY TO BE DRILLED BY THE CUSTOMER.

- NOTE:
1. DIMENSIONS IN INCHES
 2. FRAME NO. 449TS
 3. F CLASS INSULATION, S. F. 1.15
 4. FOR DIRECT FLEXIBLE COUPLING
 5. ENCLOSURE: IP55
 6. BEARING SIZE: DRIVE END 6314C3
NON-DRIVE END 6314C3
 7. BOTH ENDS BEARING WITH INPRO SEAL
 8. NON-SPARKING FAN
 9. MOTOR APPROX. WEIGHT: 2244 lb
 10. VIBRATION: VERTICAL/HORIZONTAL BELOW 0.08 IN/SEC
AXIAL BELOW 0.06 IN/SEC
 11. NOISE: BELOW 83dBA AT 1 METER DISTANCE NO LOAD
 12. CORROSION PROOF
 13. CLASS I, DIVISION 2, GROUP B/C/D, T3

DATE	NOV. 3, 2014	OUTLINE DIMENSIONS	
CATALOG#	HB2502	3-PHASE INDUCTION MOTOR	
DWG NO.	REV:00	31057C454940	

DWN.	C.H.SHYU	SEP-14-2013
CHKD.	K.L.KOU	SEP-14-2013
APPD.	S.H.LIN	SEP-11-2013

