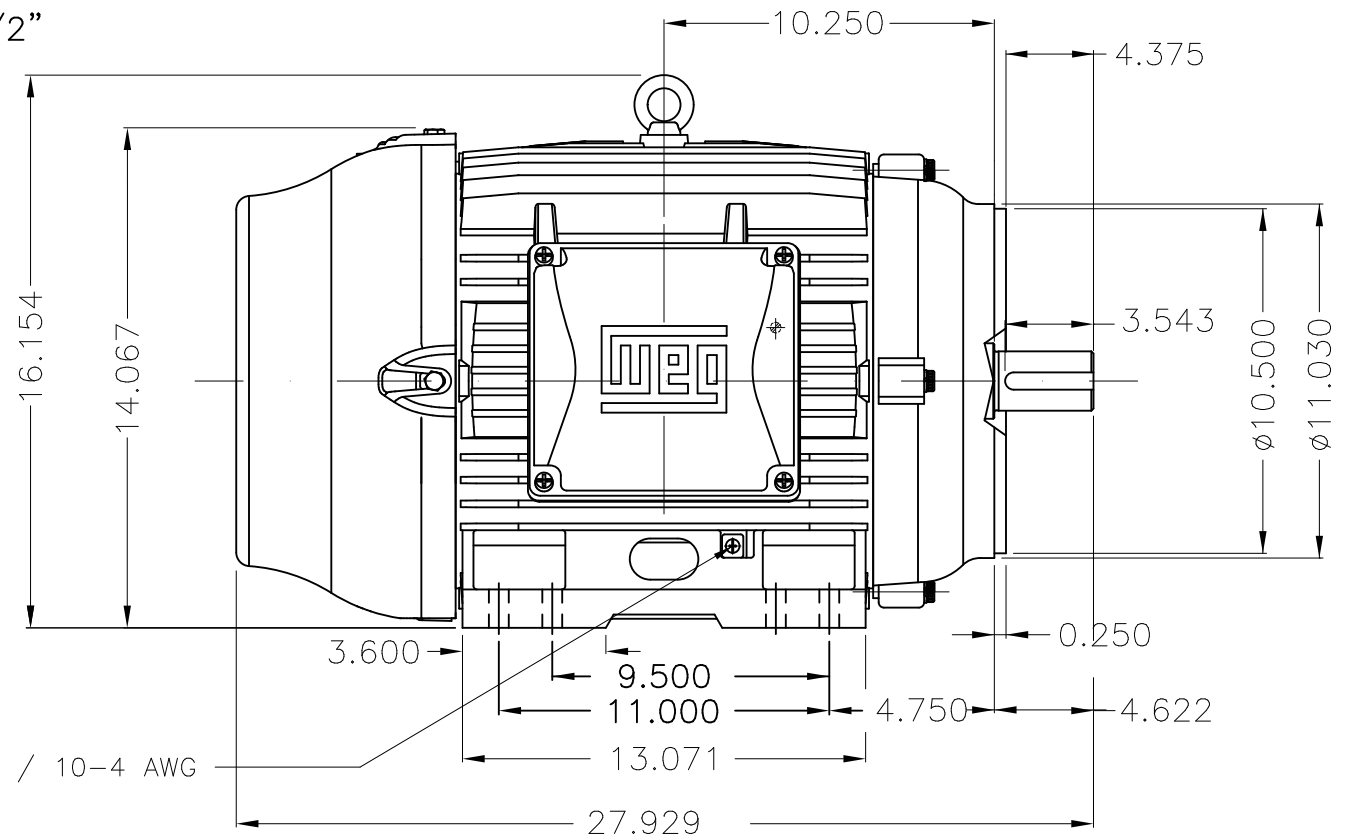
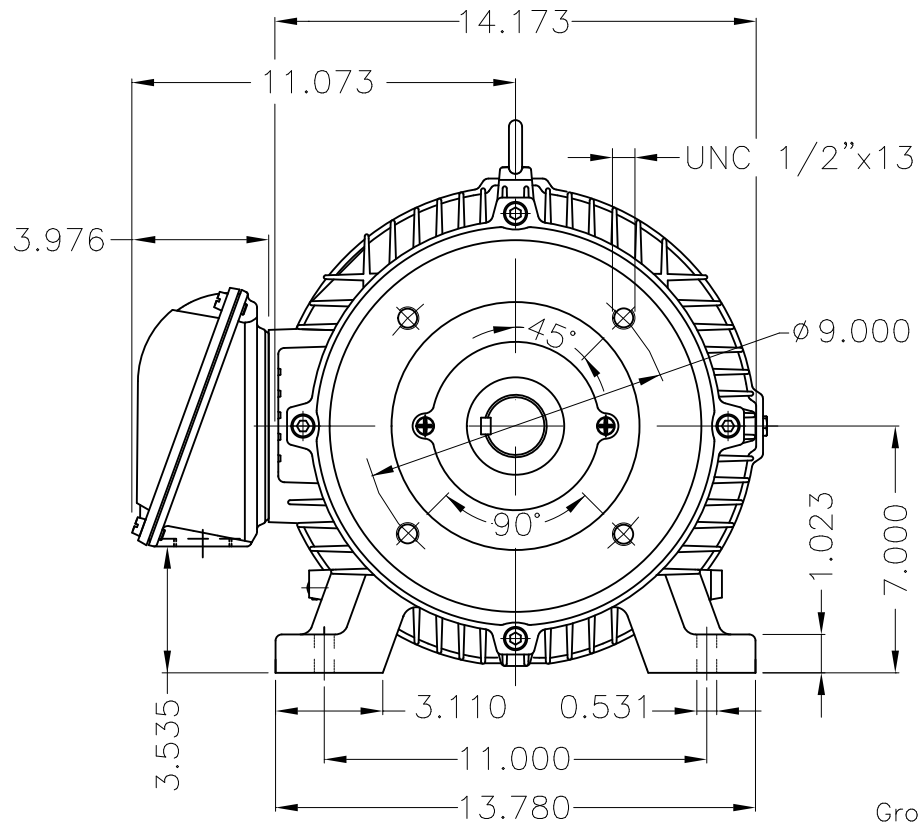


Dimensões em polegada
Dimensions in inches

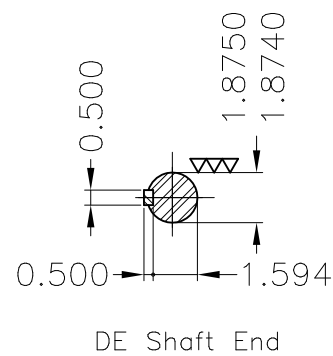
THIS IS AN UPDATED REVISION, THE
PREVIOUS ONE MUST BE DISREGARDED.



Grounding for leads 5.2–25 mm² / 10–4 AWG



Grounding for leads 5.2–25 mm² / 10–4 AWG



Color RAL 5009		Painting plan 202E		Mounting B34R(D)							
ECM	LOC	SUMMARY OF MODIFICATIONS				EXECUTED	CHECKED	RELEASED	DATE	VER	
EXECUTED	USERADMIN	THREE PH. W22 NEMA P.EFF MOTOR IEEE841									
CHECKED		FRAME 284/6TC IP55 TEFC									
RELEASED		WEG code: 12424291									
REL DT	24.07.2017	WMO	Jaragua do Sul	Product Engineering	SHEET	1 / 1					

15 HP 06 Poles 60Hz

A

