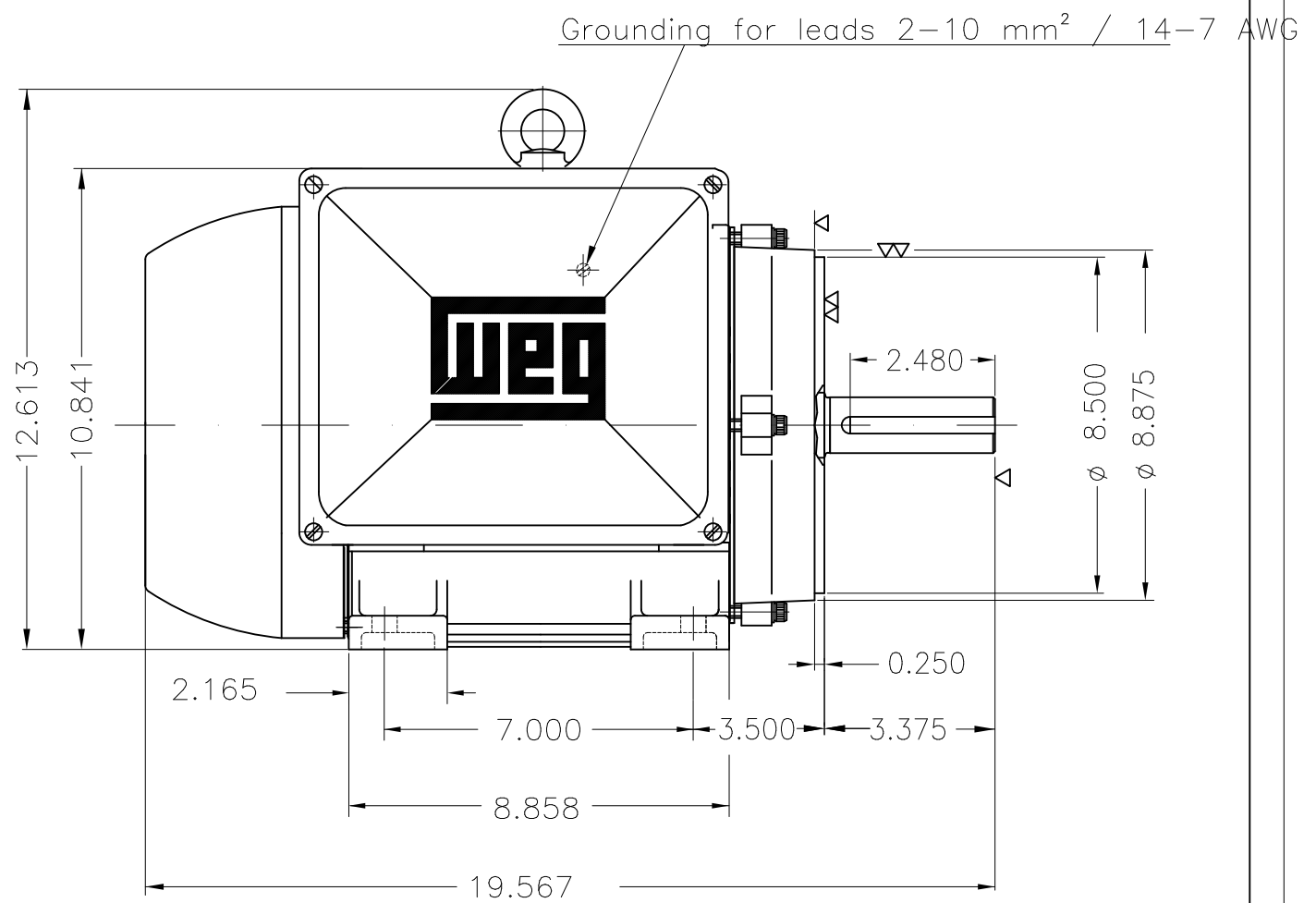
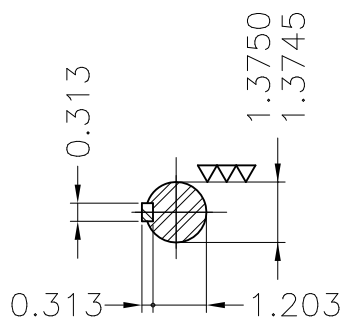
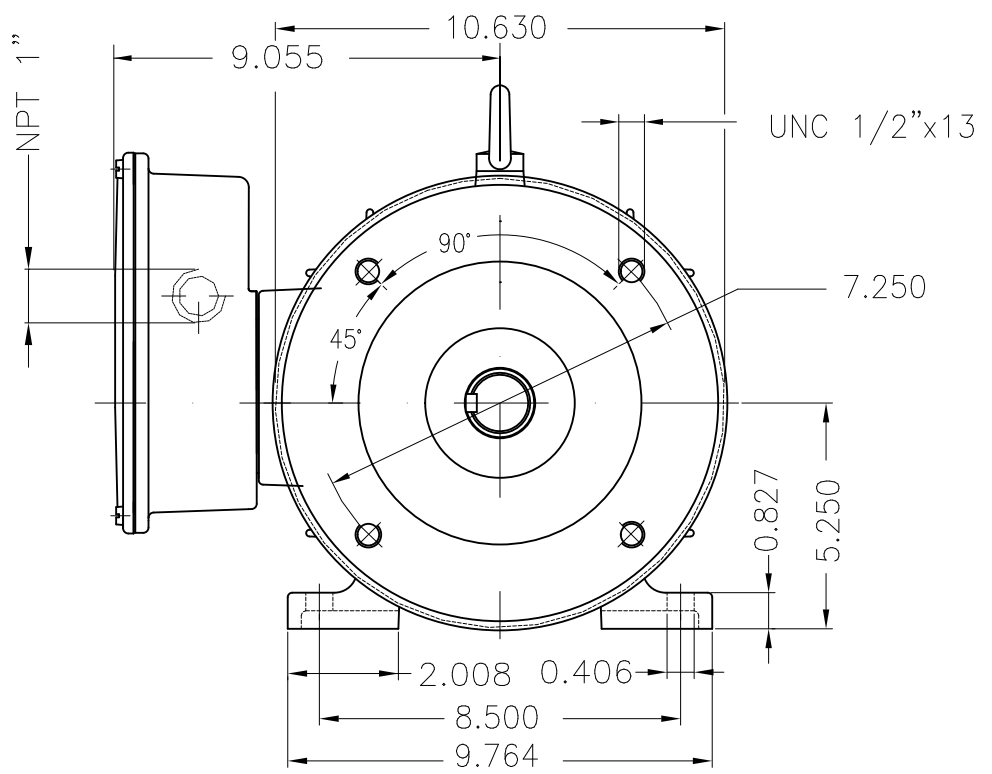
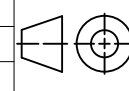


THIS IS AN UPDATED REVISION, THE PREVIOUS ONE MUST BE DISREGARDED.



Aluminum fan
 Bearing cap
 Mounting B34R(D)

ECM	LOC	SUMMARY OF MODIFICATIONS			EXECUTED	CHECKED	RELEASED	DATE	VER
EXECUTED	USERADMIN	 SINGLE PHASE MOTOR FRAME 215TC IP55 TEFC WEG code: 12220793							
CHECKED									
RELEASED									
REL DT	24.07.2017	WMO	Jaragua do Sul	Product Engineering	SHEET	1 / 1			

12.5 HP 04 Poles 60Hz

