

DATE
Jan. 14, 2011

OUTLINE DIMENSIONS
3-PHASE INDUCTION MOTOR

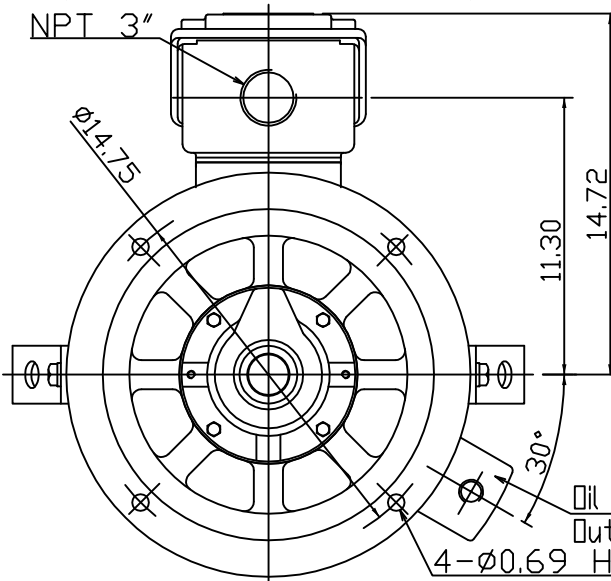
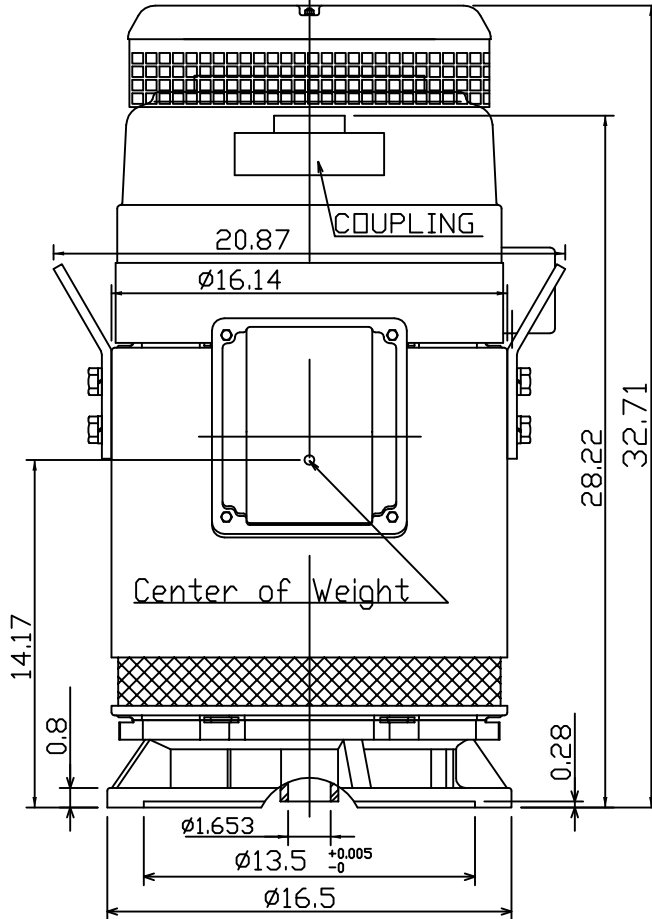
MOTOR TYPE:
AMRCNH
FRAME NO. 326TP

CAT. #: VHP0504

Pole	HP	kW	Hz	VOLT	Syn.Speed r/min(rpm)
4	50	37	60	230/460	1800

Ins	Rating	Dimension in	Approx Weight	Bearings
F	CONT.	inch	675 lbs	DE: 6312C3 NDE: 7220B

NEMA Weather Protected TYPE I (WP I) Squirrel-cage Rotor.



Note:

1. Downthrust: 5700lbs.
L10 - 8800 hours
2. Rotation: CCW
3. With N.R.R.
4. Approx Reed
Frequencies: 70 Hz
5. Upper Bearing Oil lube
Kind of Oil: Turbine Oil
-300SSU/100°F ISO VG68
Quantity: 0.27 Gallons



DWN.		
CHKD.		
APPD.		

TECO Westinghouse

DWG NO.
31057H809111