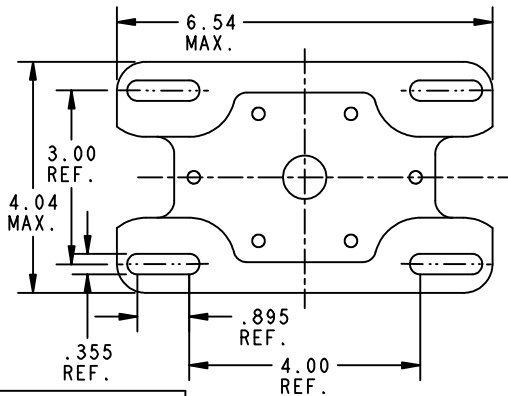
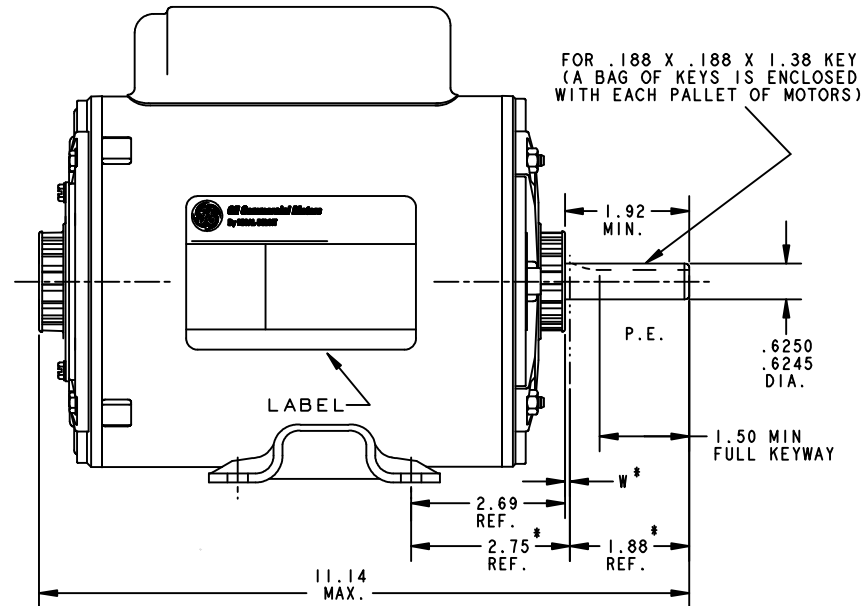
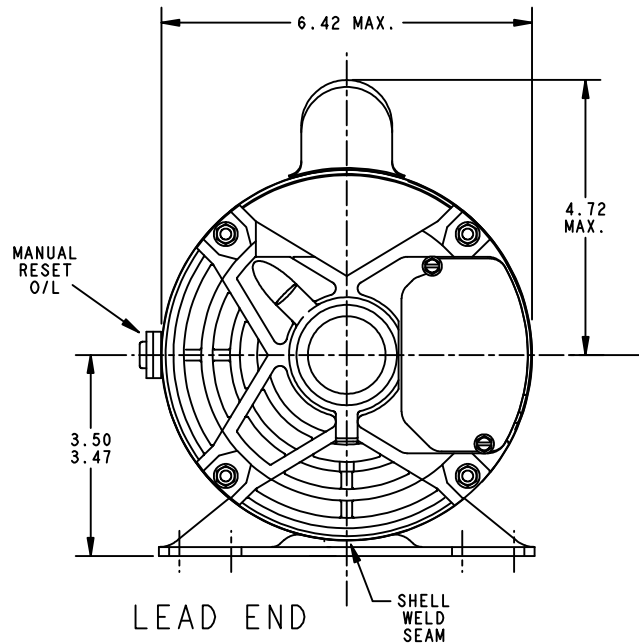


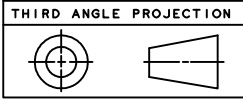
REVISIONS			
REV.	DESCRIPTION	DATE	APPROVED
1	CHG TO RBC FORMAT PER ISO5-1777	05/09/06	SUDHA



NOTES:

1. ENDPLAY .002-.010 (E1-115A321AAP2).
2. MINIMUM CLAMPBOLT TORQUE IS 32 IN.-LBS.

* NOMINAL NEMA DIM. "W" IS VARIABLE CLEARANCE DUE TO VARIATION IN PARTS & ASSEMBLY.



SIGNATURES	DATE
MODEL M.D. PAPE	06/03/93
DETAIL	.
CHECKED	.
ENGRG	.
NFG	.
QUALITY	.
ISSUED M.D. PAPE	06/03/93
MATERIAL	SOLID MODEL: 52B209819

I	KC	49	6.925
P	TYPE	GE SIZE	SHELL (MIN.)

REGAL-BELOIT CORPORATION

TITLE: **OUTLINE**
FMF - 40 FRAME 5KC49MN2043Y

SIZE DRAWING: **52B209819** REV **1**

SCALE: 0.500 REF. No: . SHEET 1 of 1