

Dimensões em polegada  
Dimensions in inches

THIS IS AN UPDATED REVISION, THE  
PREVIOUS ONE MUST BE DISREGARDED.

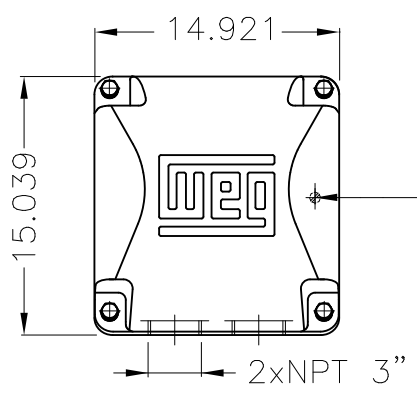
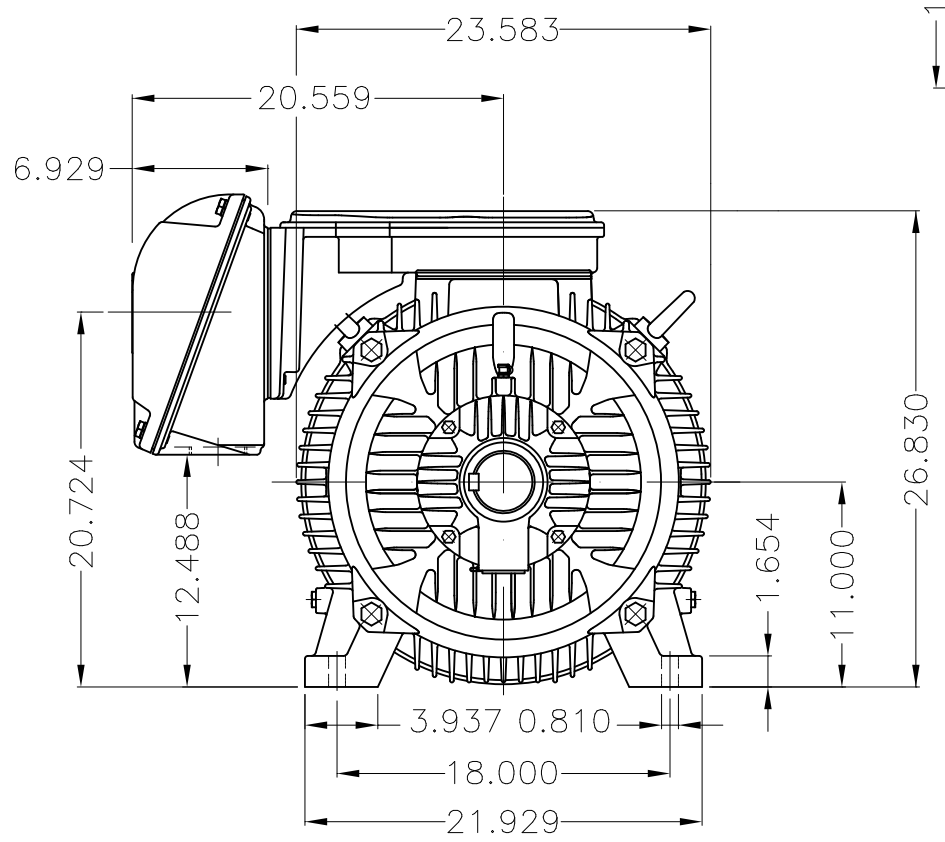
A

B

C

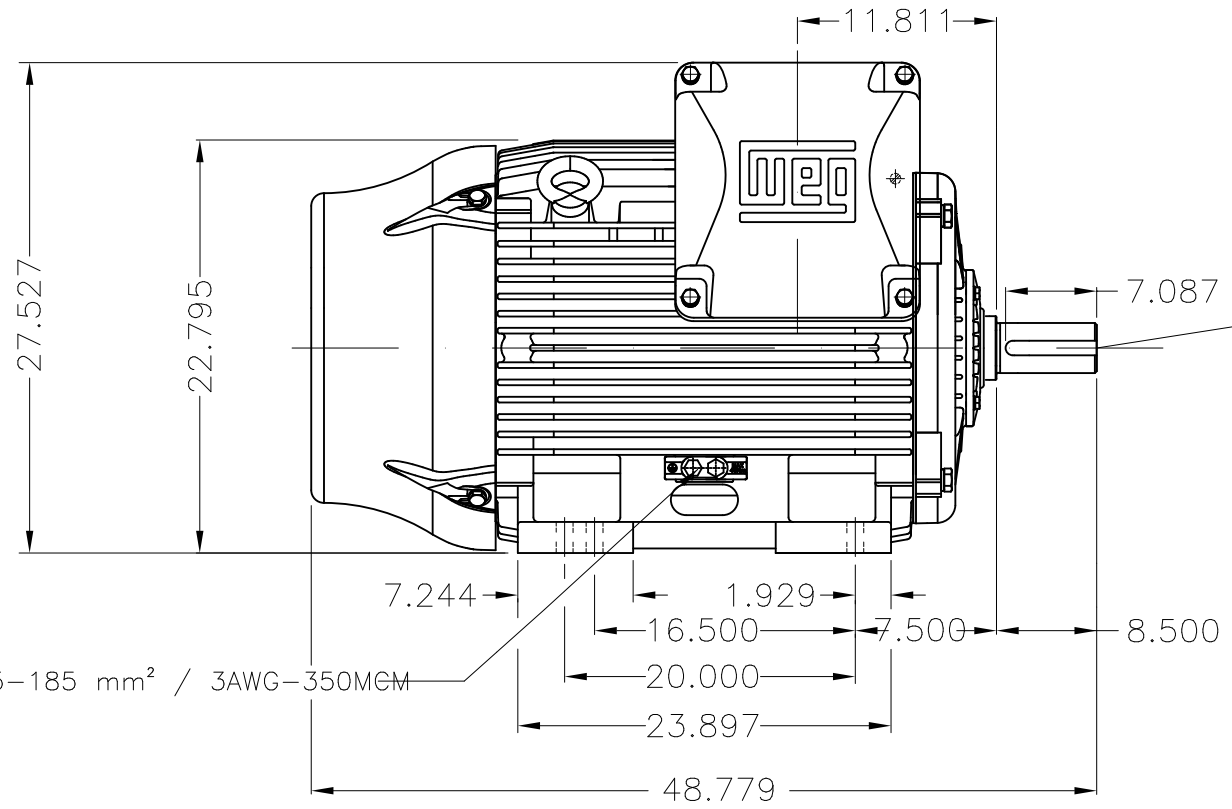
D

E



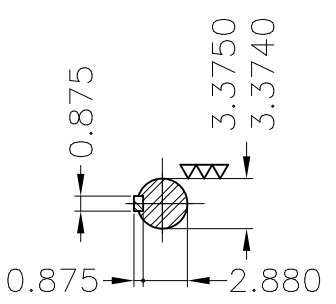
Main terminal box

Grounding for leads 35-70 mm<sup>2</sup> / 1-2/0 AWG



Center hole  
DUNC 3/4"-10 WEG TBG12

Grounding for leads 25-185 mm<sup>2</sup> / 3AWG-350MCM



DE Shaft End

Color RAL 5009  
Painting plan 203A  
Mounting B3R(D)

ECM	LOC	SUMMARY OF MODIFICATIONS			EXECUTED	CHECKED	RELEASED	DATE	VER
EXECUTED	USERADMIN		THREE PHASE W22 MOTOR - NEMA PREMIUM EFF						
CHECKED			FRAME 445/7T IP55 TEFC						
RELEASED			WEG code: 11626903						
REL DT	24.07.2017	WMO	Jaragua do Sul	Product Engineering	SHEET	1 / 1			

150 HP 06 Poles 60Hz

A

