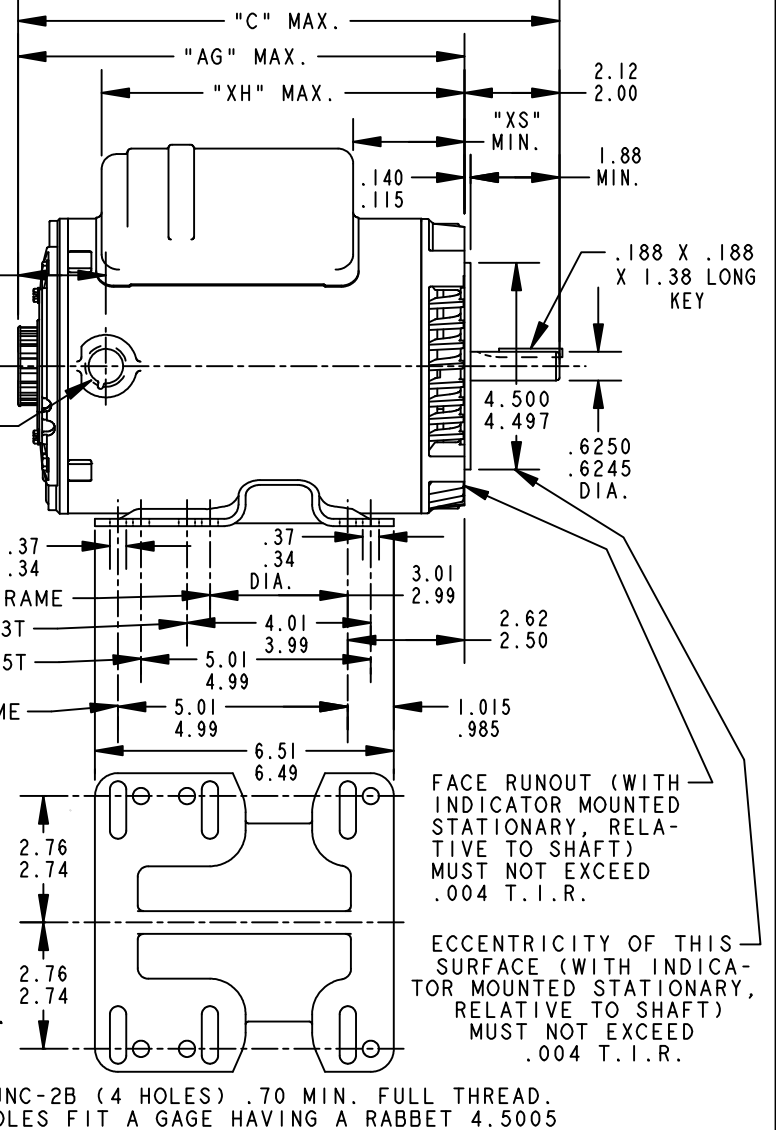
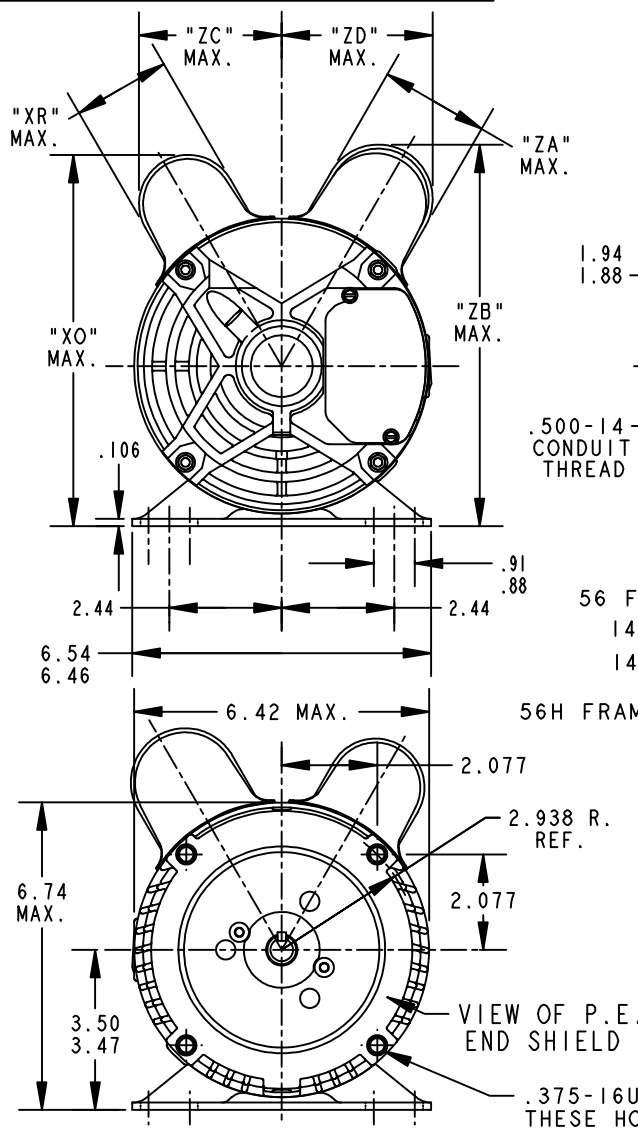


SHEET REV 52A107663 8	THIRD ANGLE PROJECTION	REVISIONS			
		REV.	DESCRIPTION	DATE	APPROVED
SIZE DRAWING NO. A		9	ADDED PART #5 PER DS09-1045	07/15/09	ARCHANA



ALL DIMENSIONS ARE IN INCHES

P	TYPE	GE SIZE	NEMA FR.	"C"	"AG"	"XH"	"XO"	"XR"	"XS"	"ZA"	"ZB"	"ZC"	"ZD"	MIN. SHELL
5	KCR	49	56CY	13.86	11.74	9.67	8.18	2.10	4.00	2.40	8.39	3.14	3.33	9.63
4	KCR	49	56CY	13.86	11.74	8.19	8.18	2.15	2.44	2.72	8.77	3.20	3.66	9.63
3	KCR	49	56CY	13.22	11.10	8.17	8.18	2.15	1.86	2.72	8.77	3.20	3.66	8.99
2	KCR	48	56CY	12.66	10.54	7.61	8.18	2.15	1.86	2.72	8.77	3.20	3.66	8.43
1	KCR	49	56CY	11.91	9.79	8.07	8.18	2.15	2.32	2.40	8.40	3.20	3.38	7.68

FOR ADDITIONAL INFO REFER TO: APPLIED PRACTICES DIMENSIONS ARE IN INCHES	SIGNATURES	DATE		REGAL-BELOIT CORPORATION	
	MODEL	M.D.PAPE		04/19/91	TITLE
	DETAIL	.	.	GENERAL PURPOSE MOTOR DRIP PROOF - BALL BEARING - WELDED BASE R2 END MOUNTED FMF - 40 FRAME REDESIGN	
	CHECKED	.	.	SIZE DRAWING	52A107663
	ENGRG	.	.	A	REV 8
	MFG	.	.	SCALE: 0.250	REF. No: .
	QUALITY	.	.	SHEET 1 of 1	
	ISSUED	M.D.PAPE	02/27/92		
MATERIAL	SOLID MODEL: 52A107663				