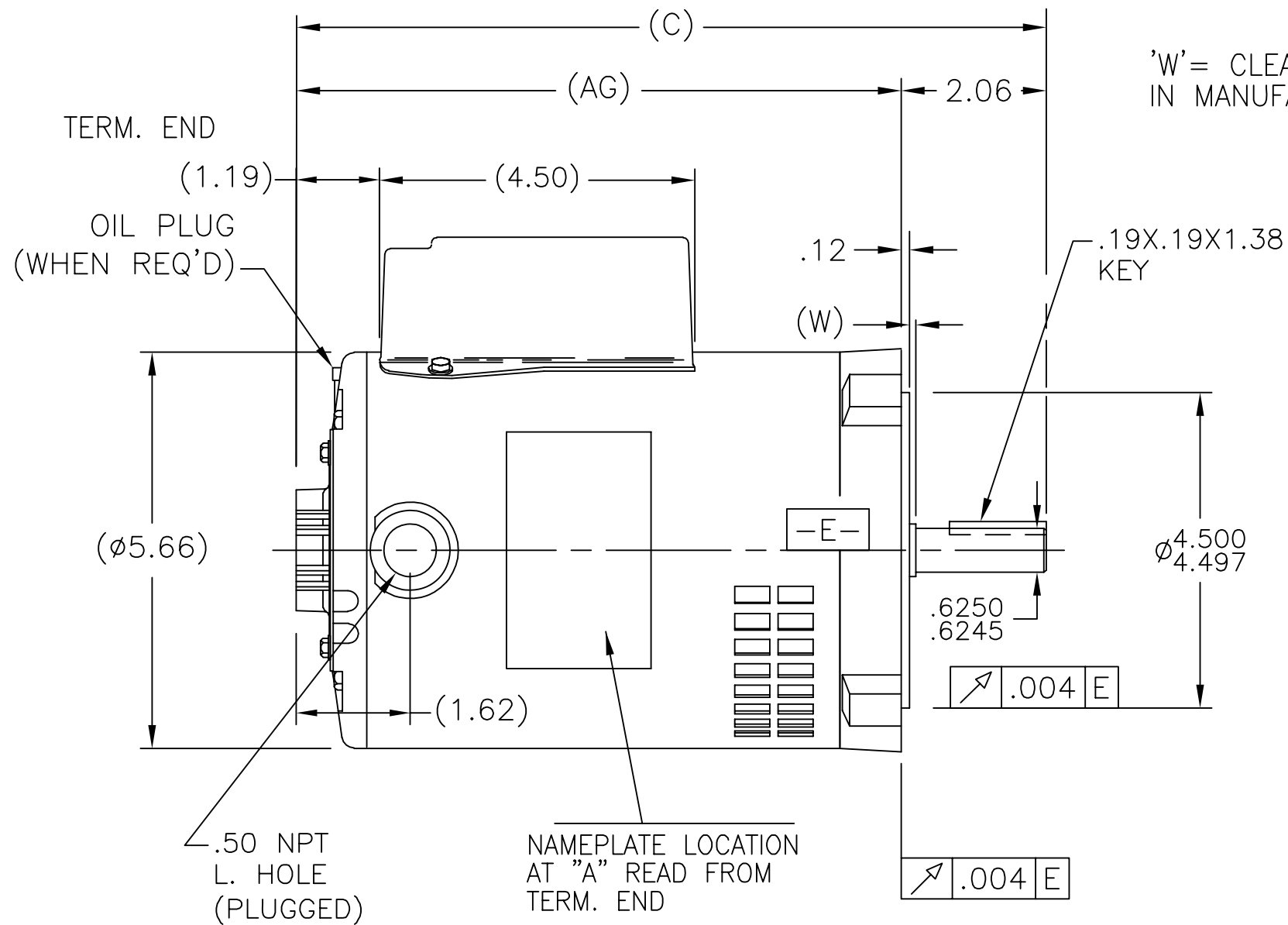
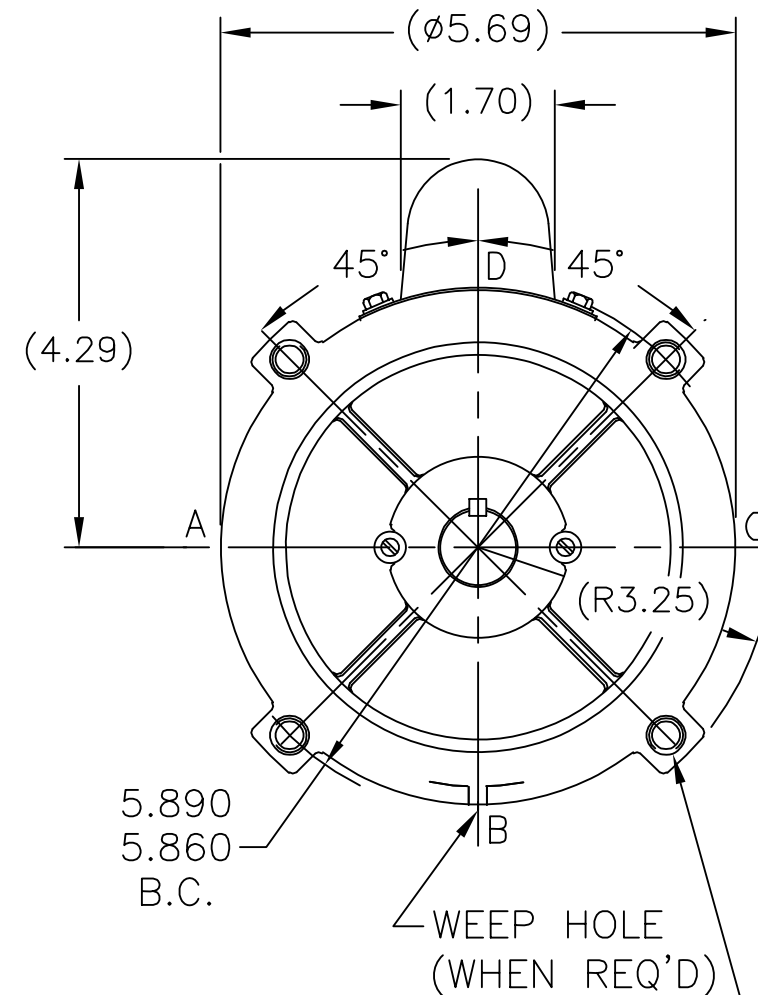


SS75606



'W' = CLEARANCE ALLOWED FOR ALL VARIANCES IN MANUFACTURING & ASSEMBLY



3/8-16 UNC-2B
.56 MIN. FULL THD.
4 HOLES

DASH	FR	C	AG	DASH	FR	C	AG	DASH	FR	C	AG
625	56	10.19	8.12	700	56	10.94	8.88	800	56	11.94	9.88
650	56	10.44	8.37	725	56	11.19	9.13				
675	56	10.69	8.63	775	56	11.69	9.63				

NO.	REVISION	BY & DATE	CHK	ANG	±7'30"	FINISH	PREV
6	UPDATED FRAME TO 56	PST 1/8/15	PI	TOLERANCES UNLESS SPECIFIED			DRAWN RM 10-09-1992
5	UPDATED DRAWING	TJW 04/20/2007	MJS	DEC.	INCHES		CHK MOL 10-09-1992
4	ADDED NOTE TO WEEP HOLE (WHEN REQ'D)	BJK 08-20-2002		.X	±.1		APPD JAY 10-12-1992
		MU43025/43027		.XX	±.03		SCALE 3=8
3	ADDED NEW FRONT BRACKET	CN 20124RJM 04-04-1995		.XXX	±.005	TITLE OUTLINE	REF
2	ADD NOTE: OIL PLUG WHEN REQ'D	4009035 DD 04-12-1993		.XXXX	±.0005	MAT'L.	FMF
							PREV

THIS DRAWING IN DESIGN AND DETAIL IS OUR PROPERTY AND MUST NOT BE USED EXCEPT IN CONNECTION WITH OUR WORK ALL RIGHTS OF DESIGN AND INVENTION ARE RESERVED THIS IS AN ELECTRONICALLY GENERATED DOCUMENT - DO NOT SCALE THIS PRINT

RFP	CAD FILE ss75606	SIZE A	DRAWING NO. SS75606	PAGE OF	REV. 6
DIST WP					