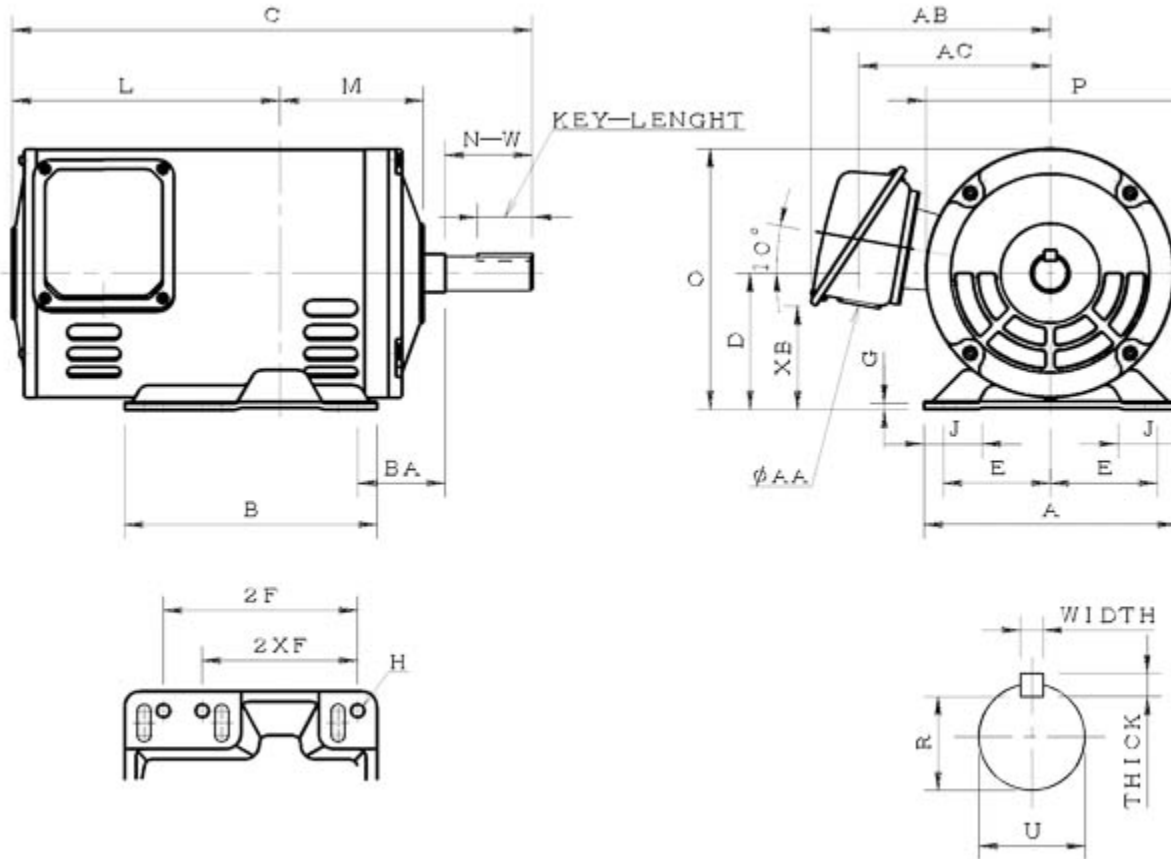


**Dimensional Drawing**

|           |       |     |      |     |            |         |    |      |
|-----------|-------|-----|------|-----|------------|---------|----|------|
| Catalogue | Model | HP  | Pole | kW  | Rating     | Voltage | Hz | RPM  |
| RD1/545   | ASGH  | 1.5 | 4    | 1.1 | Continuous | 575 V   | 60 | 1800 |



ASGH-SMP-3

| Frame Size       | Mounting |      |          |         |                    | A           | B          | C     | CD                           | D          |         |
|------------------|----------|------|----------|---------|--------------------|-------------|------------|-------|------------------------------|------------|---------|
|                  | E        | 2F   | 2F2      | H       | BA                 |             |            |       |                              |            |         |
| 145T             | 5.5      | 5    | 4        | 0.34    | 2.25               | 6.5         | 6.5        | 12.22 |                              | 3.5        |         |
| G                | J        | K    | L        | M       | O                  | P           | T          | Key   |                              |            | Keyseat |
| 0.16             | 1.5      |      |          |         | 6.69               | 6.4         |            | Width | Thick                        | Length     | R       |
|                  |          |      |          |         |                    |             |            | 0.188 | 0.188                        | 1.41       | 0.71    |
| Terminal Housing |          |      |          | Aux Box |                    | C/D Flange  |            |       |                              |            |         |
| AA               | AB       | AC   | XB       | AE      | AX                 | BB          | AH         | AK    | BD                           | AJ         | BF      |
| 1.1              | 6.22     | 4.97 | 2.67     |         |                    |             |            |       |                              |            |         |
| Shaft Extension  |          |      | Bearings |         | Approx. Weight Lbs | SPL dBA/3ft | Ins. Class | S.F.  | Drive Method                 | Dimensions |         |
| N-W              | U        | V    | DE       | NDE     |                    |             |            |       |                              |            |         |
| 2.25             | 0.875    | 2.2  | 6205ZZ   | 6204ZZ  | 40                 | 56          | F          | 1.15  | Direct Coupling / Belt Drive | Inches     |         |

### Technical Data Sheet

Motor Type: ASGH

Catalogue No: RD1/545

#### Nameplate Information

|           |            |                |             |             |              |                |
|-----------|------------|----------------|-------------|-------------|--------------|----------------|
| HP        | Pole       | RPM            | Frame       | Voltage     | Hz           | Phase          |
| 1.5       | 4          | 1750           | 145T        | 575         | 60           | 3              |
| Enclosure | Ins. Class | Service Factor | Time Rating | NEMA Design | Rated Amb.   | Rated Altitude |
| ODP       | F          | 1.15           | Continuous  | B           | -40 to 40 °C | <3300 ft       |

#### Typical Performance

| Efficiency (%)    |                             |                                 |                                      | Power Factor (%)    |           |                                |
|-------------------|-----------------------------|---------------------------------|--------------------------------------|---------------------|-----------|--------------------------------|
| Full Load         |                             | 3/4 Load                        | 1/2 Load                             | Full Load           | 3/4 Load  | 1/2 Load                       |
| Nom.              | Min.                        |                                 |                                      |                     |           |                                |
| 86.5              | 84.0                        | 85.0                            | 82.0                                 | 81.0                | 74.0      | 61.0                           |
| Torque            |                             |                                 |                                      | Current (A)         |           |                                |
| Full Load (lb-ft) | Locked Rotor (% FLT)        | Pull Up (% FLT)                 | Break Down (% FLT)                   | No Load             | Full Load | Locked Rotor                   |
| 4.53              | 295                         | 220                             | 335                                  | 0.8                 | 1.6       | 16                             |
| NEMA KVA Code     | Inertia (WR <sup>2</sup> )  |                                 |                                      | Safe Stall Time (s) |           | Noise Level Sound Press. dB(A) |
|                   | Rotor (lb-ft <sup>2</sup> ) | NEMA Load (lb-ft <sup>2</sup> ) | Max. Allowable (lb-ft <sup>2</sup> ) | Cold                | Hot       |                                |
| M                 | 0.115                       | 8.6                             | 41                                   | 38                  | 27        | 56                             |

#### VFD Duty Information

| Speed Range     |                 |                | VFD     |              | S.F.     |
|-----------------|-----------------|----------------|---------|--------------|----------|
| Constant Torque | Variable Torque | Constant Power | Carrier | Type         |          |
| 6-60Hz          | 3-60Hz          | 60-120Hz       | ≤ 5 kHz | VPWM or CPWM | 1.0 Only |

#### Additional Information

| Bearings |        | Approx. Weight |
|----------|--------|----------------|
| DE       | NDE    | lbs            |
| 6205ZZ   | 6204ZZ | 40             |

#### Hazardous Locations Information

|                            |       |
|----------------------------|-------|
| N/A                        |       |
| 0                          |       |
| 0                          |       |
| Temp Code (Sinewave / VFD) | 0 / 0 |