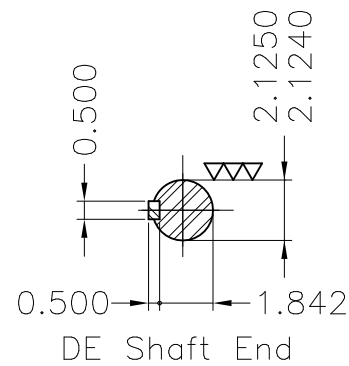
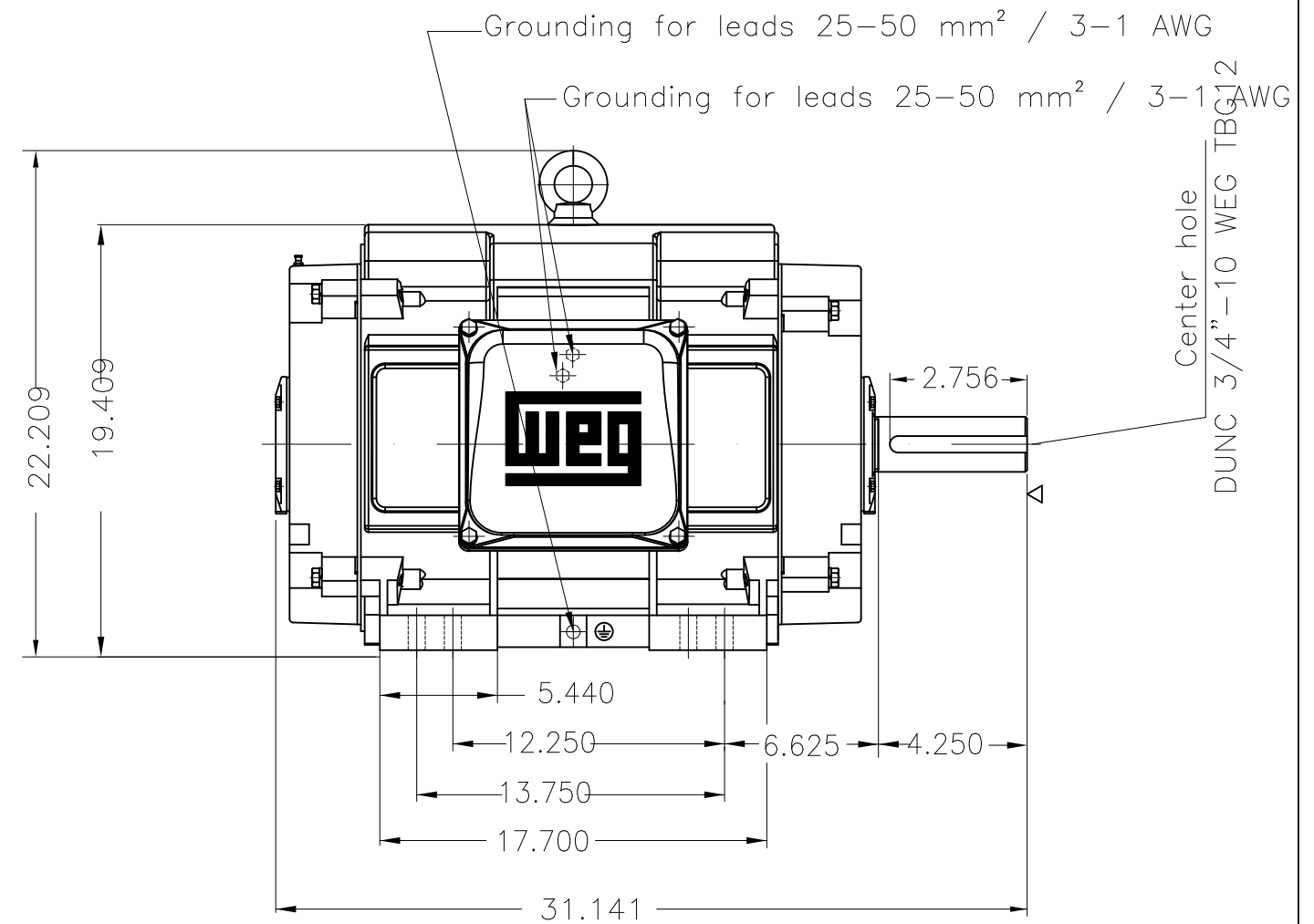
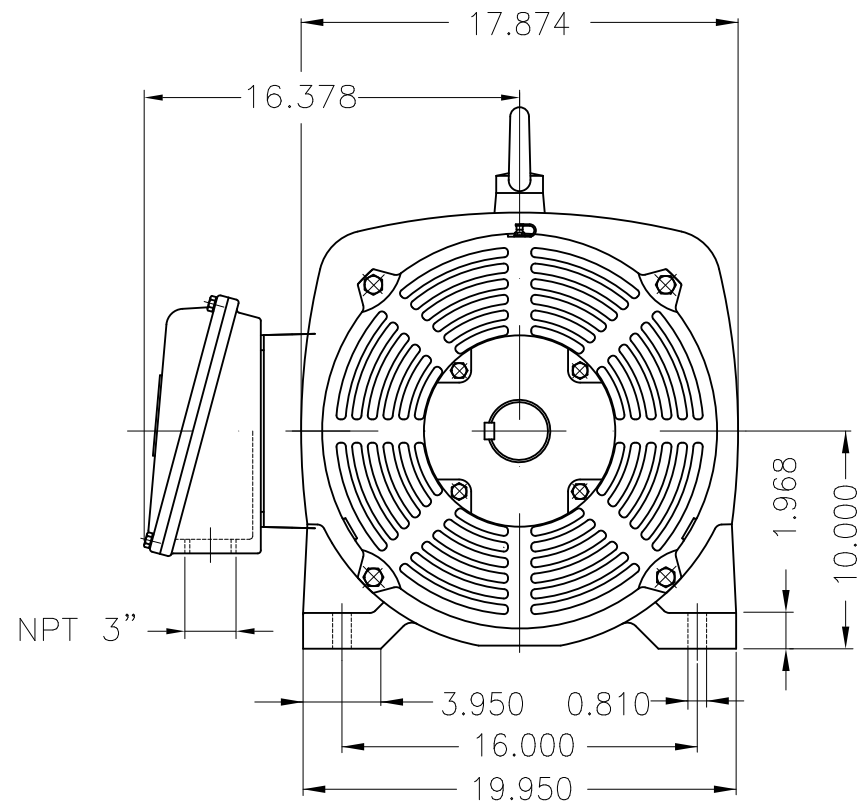


Dimensões em polegada
Dimensions in inches

THIS IS AN UPDATED REVISION, THE
PREVIOUS ONE MUST BE DISREGARDED.



Certification UL/FIRE PUMP
TS shaft end
Color RAL 3002
Painting plan 203A
Mounting B3R(D)

| ECM | LOC | SUMMARY OF MODIFICATIONS | EXECUTED | CHECKED | RELEASED | DATE | VER |
|----------|------------|-------------------------------------|---------------------|---------|----------|------|-----|
| EXECUTED | USERADMIN | THREE PHASE MOTOR - HIGH EFFICIENCY | | | | | |
| CHECKED | | FRAME 404/5TS IP23 ODP | | | | | |
| RELEASED | | WEG code: 11826404 | | | | | |
| REL DT | 24.07.2017 | WMO Jaragua do Sul | Product Engineering | SHEET | 1 / 1 | | |

125 HP 04 Poles 60Hz

A

